

OYPLA™

HOME

THANK YOU FOR YOUR ORDER



# Radiator Cover

# Safety Instructions

**Notice: Ensure you read and fully understand instructions before use**







**While every attempt is made to ensure the highest degree of protection in all equipment, we cannot guarantee freedom from injury. The user assumes all risk of injury due to use. All merchandise is sold on this condition, which no representative of the company can waive or change.**



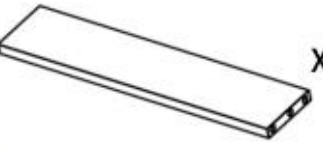
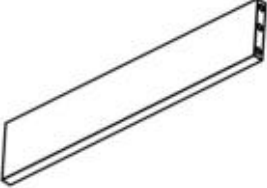
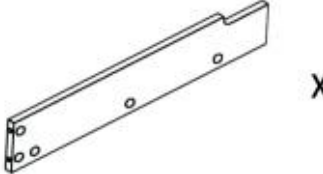
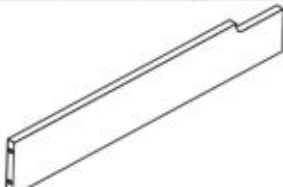
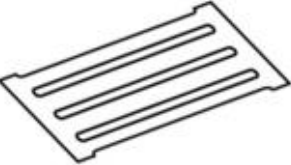

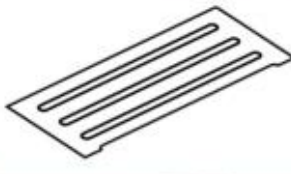

- Never carry out any alterations or modifications to this product.
- This product is not a toy, and is only to be used for its designated purpose.
- This product is intended for outdoor use only.
- Keep fingers, loose clothing, and hair away when assembling the product
- Make sure all fastenings are tightly in place and that everything is in order before using the product. This should be checked periodically by an adult.
- This product contains small parts that could be a choking hazard if swallowed. Keep these items away from children.
- Do not sit or stand on the radiator cover as this may lead to personal injury and product failure.
- Part of the assembly might be easier with 2 people.
- If you are unsure on how to assemble, then contact a professional expert to help.
- Keep away from fire.
- Dispose of all packaging carefully and responsibly.
- Clean only with a damp cloth. Do not use strong industrial cleaning substances.
- Regularly check that all screws are tightly attached and no screws are loose
- If the product is damaged or has any defects, do not use and please contact [cservice@oypla.com](mailto:cservice@oypla.com)

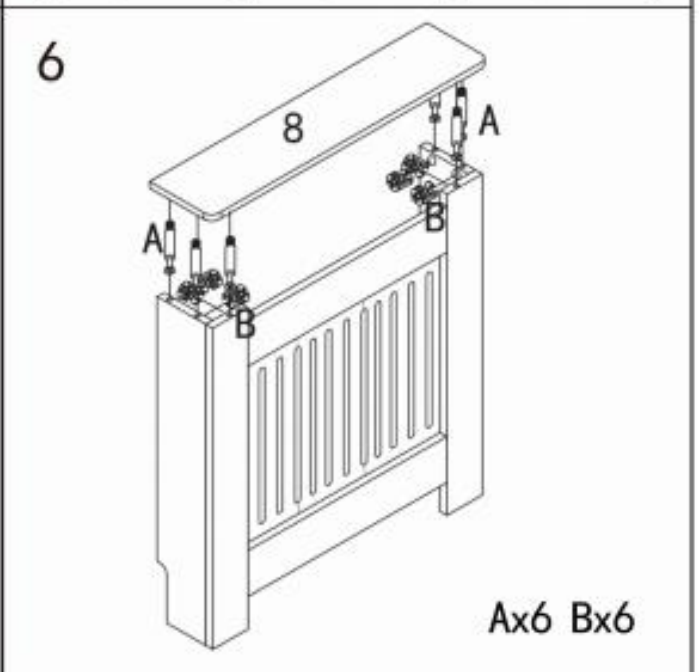
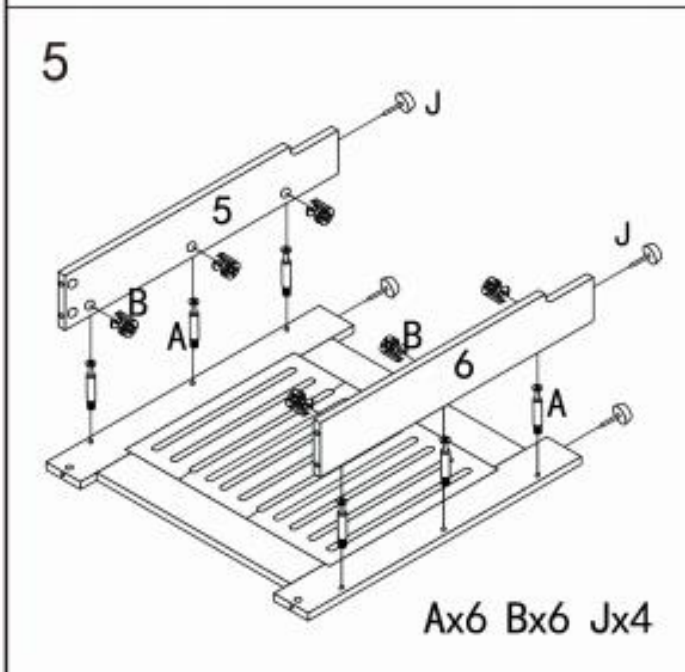
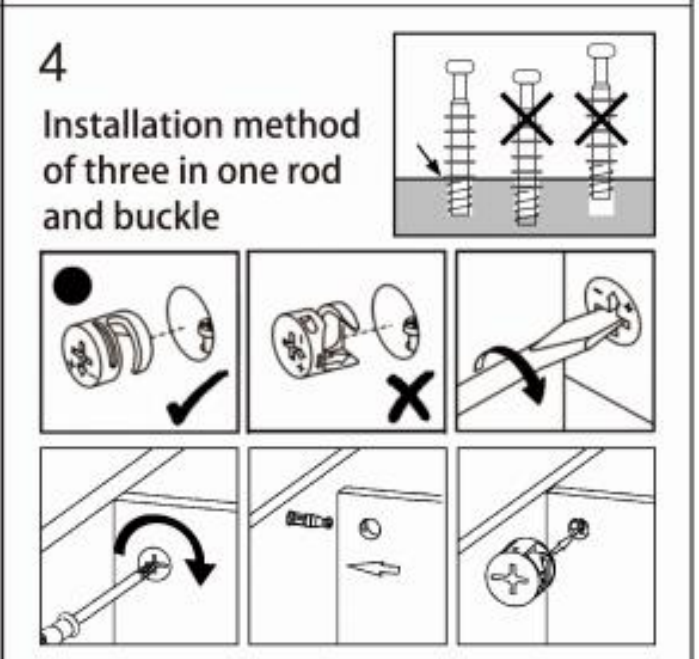
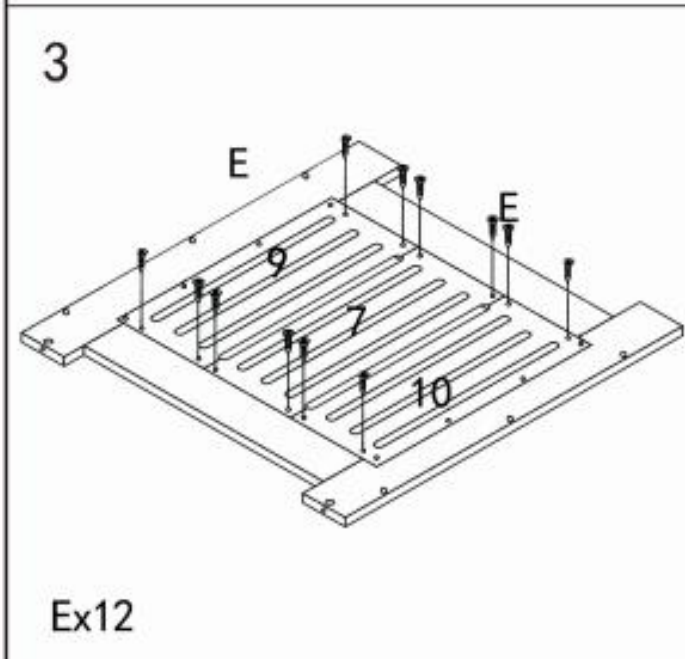
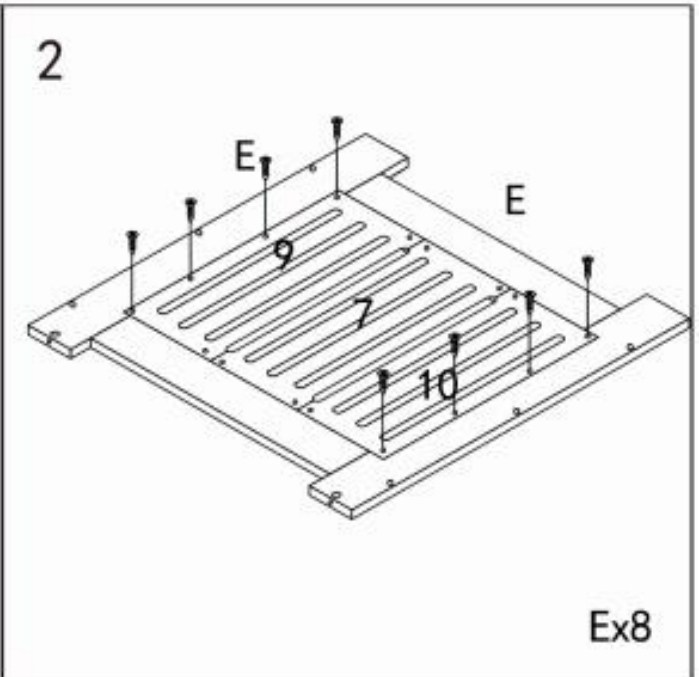
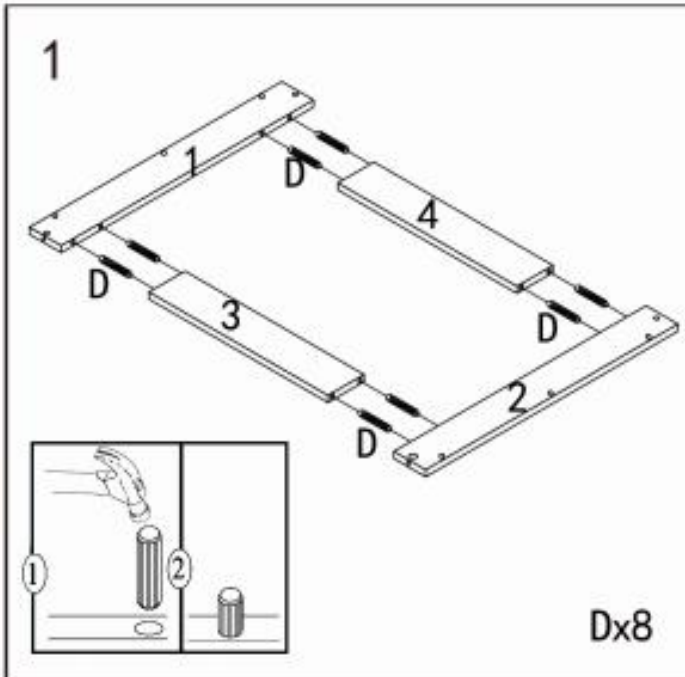
# Assembly Instructions

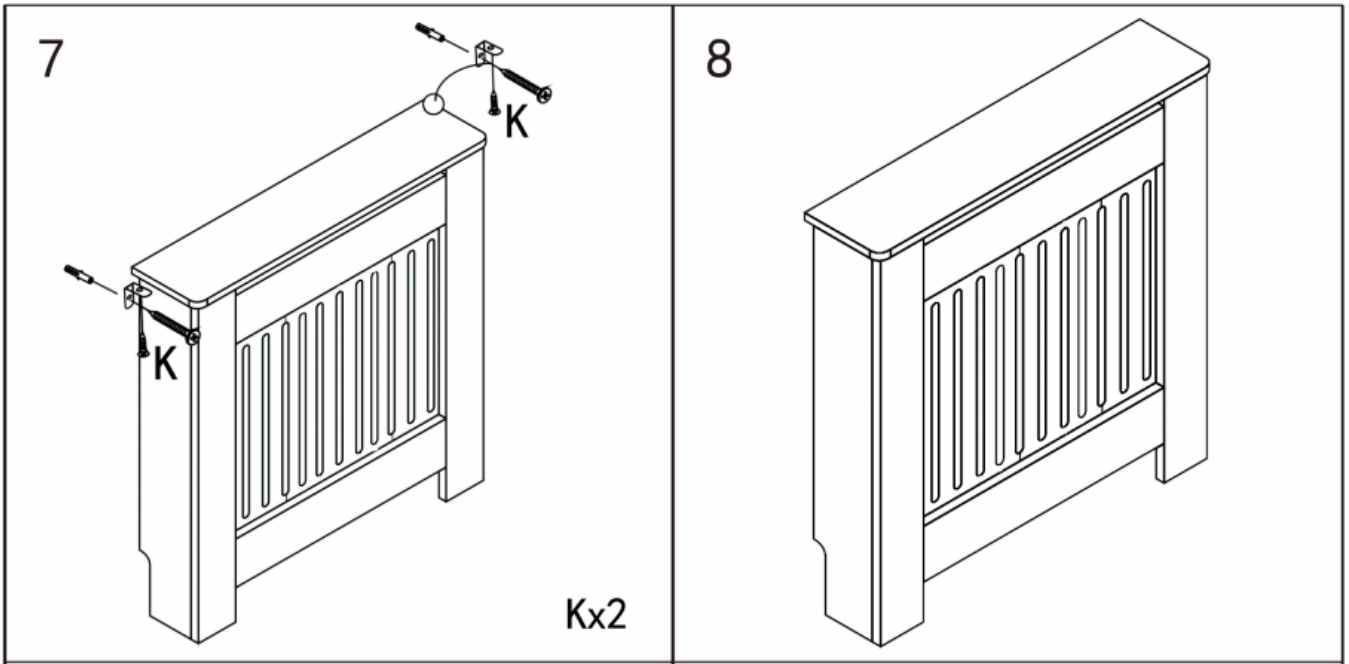
## Parts List:

If you are missing any of the below parts please contact [cservice@oypla.com](mailto:cservice@oypla.com)

	Parts	Specification	Carton	Pcs		Parts	Specification	Carton	Pcs
A		6×25	1/1	X 12	B		12×10	1/1	X 12
D		6×40	1/1	X 8	E		3.5×12	1/1	X 20
J		5×Φ12	1/1	X 4	K		4×50/8×40	1/1	X 2

1	 X1	800x100	1/1	2	 X1	800x100	1/1
3	 X1	522x100	1/1	4	 X1	522x100	1/1
5	 X1	800x163	1/1	6	 X1	800x163	1/1
7	 X1	480x178	1/1	8	 X1	780x190	1/1
9	 X1	480x190	1/1	10	 X1	480x190	1/1





## HAVE A QUESTION ABOUT YOUR PURCHASE?

Our dedicated customer services team are happy to help. Contact them via:

Telephone: 020 3600 22 55  
Email: [cservice@oypla.com](mailto:cservice@oypla.com)  
Live Chat: [WWW.OYPLA.COM](http://WWW.OYPLA.COM)

## CONSIDER THE ENVIRONMENT!

In the United Kingdom, approximately 5 billion corrugated boxes are used per year amounting to around 83 per person! By recycling the cardboard box in which this product was packed, you contribute to the preservation and sustainability of the environment.

If you see a recycling logo on the packaging of your product, such as the below examples, that piece of packaging is recyclable. If there is not a recycling logo, please check with your local authorities before recycling.



PLEASE RETAIN A COPY OF THESE INSTRUCTIONS FOR FUTURE CONSULTATION

# OYPLA.COM

AN OFFICIAL OYPLA BRANDED PRODUCT

Imported by Oypla.com LLP, Uxbridge, UB8 2FX

**USER MANUAL Model No: 5132**