



# Medium Cross Pattern Radiator Cover

# Safety Instructions

**Notice: Ensure you read and fully understand instructions before use**

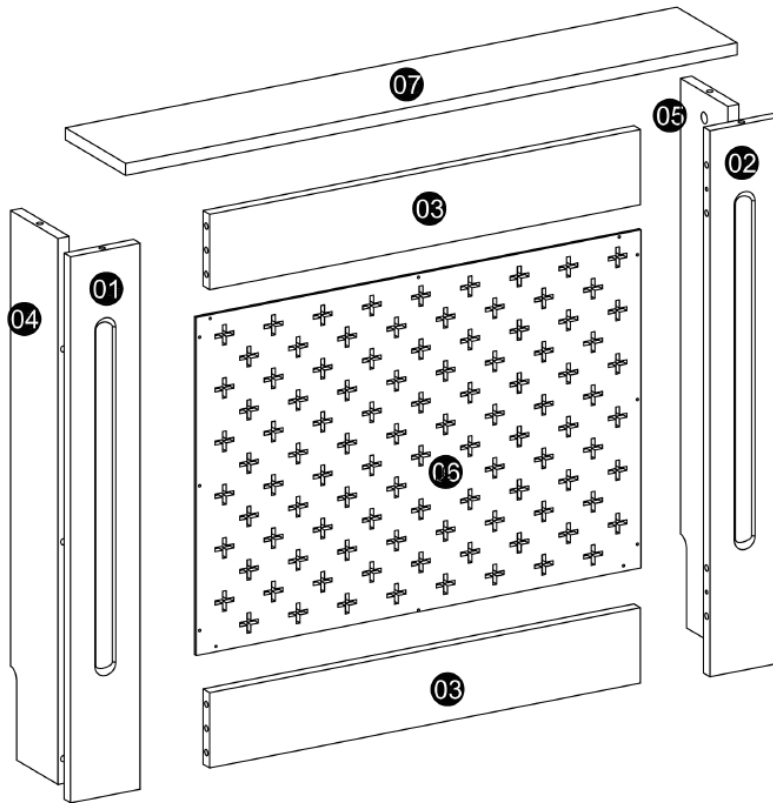
**While every attempt is made to ensure the highest degree of protection in all equipment, we cannot guarantee freedom from injury. The user assumes all risk of injury due to use. All merchandise is sold on this condition, which no representative of the company can waive or change.**

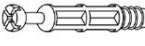



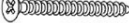
- Never carry out any alterations or modifications to this product.
- This product is not a toy, and is only to be used for its designated purpose.
- This product is intended for outdoor use only.
- Keep fingers, loose clothing, and hair away when assembling the product
- Make sure all fastenings are tightly in place and that everything is in order before using the product. This should be checked periodically by an adult.
- This product contains small parts that could be a choking hazard if swallowed. Keep these items away from children.
- Do not sit or stand on the radiator cover as this may lead to personal injury and product failure.
- Part of the assembly might be easier with 2 people.
- If you are unsure on how to assemble, then contact a professional expert to help.
- Keep away from fire.
- Dispose of all packaging carefully and responsibly.
- Clean only with a damp cloth. Do not use strong industrial cleaning substances.
- Regularly check that all screws are tightly attached and no screws are loose
- If the product is damaged or has any defects, do not use and please contact [cservice@oypla.com](mailto:cservice@oypla.com)

# Assembly Instructions

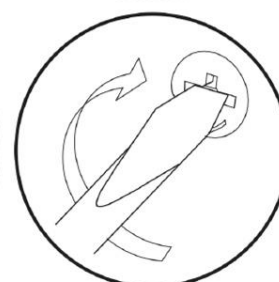
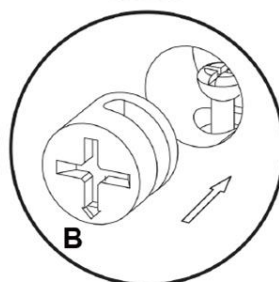
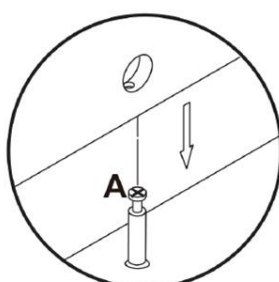
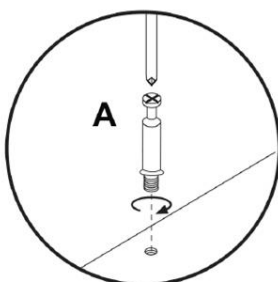
## Parts List:

If you are missing any of the below parts please contact [cservice@oypla.com](mailto:cservice@oypla.com)

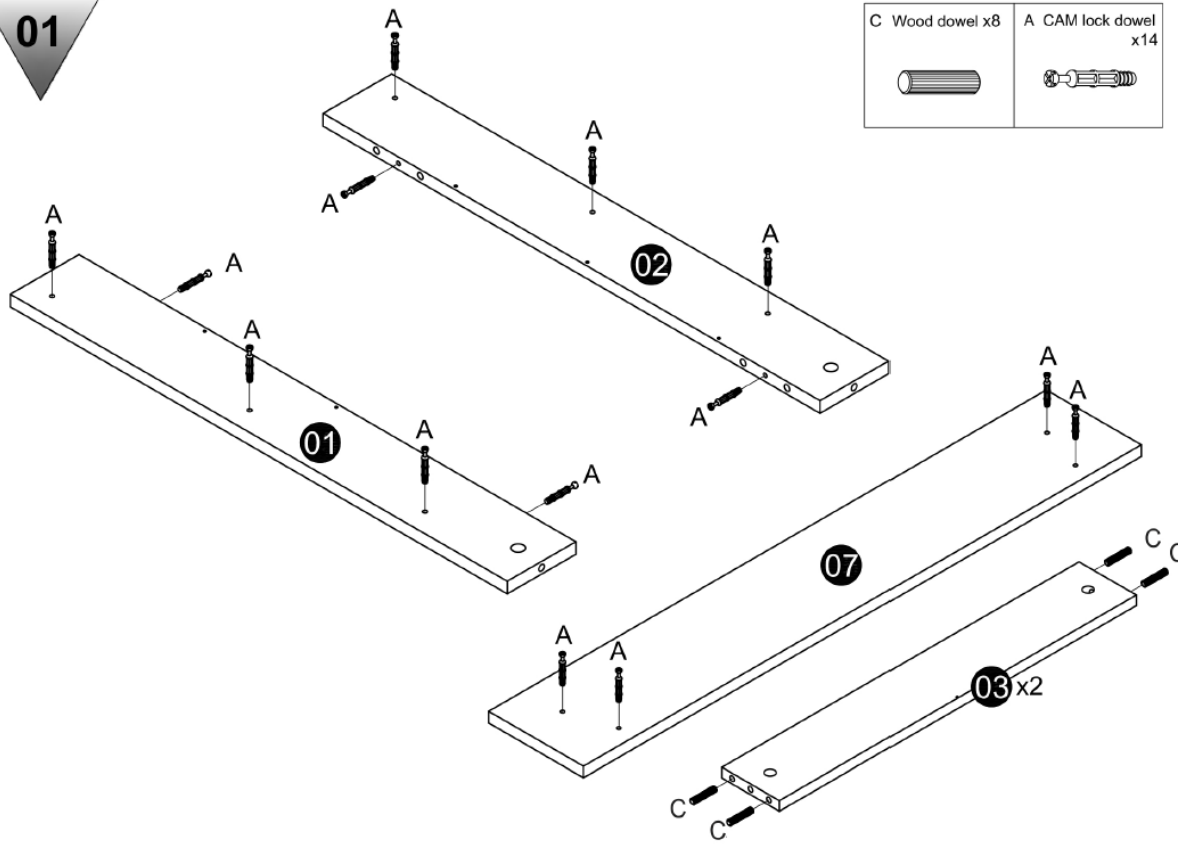


<p>A CAM lock dowel x14</p> 	<p>B CAM lock x14</p> 	<p>C Wood dowel x8</p> 	<p>D Screw x12</p> 	<p>E Screw x4</p> 
---	---	--	--	---

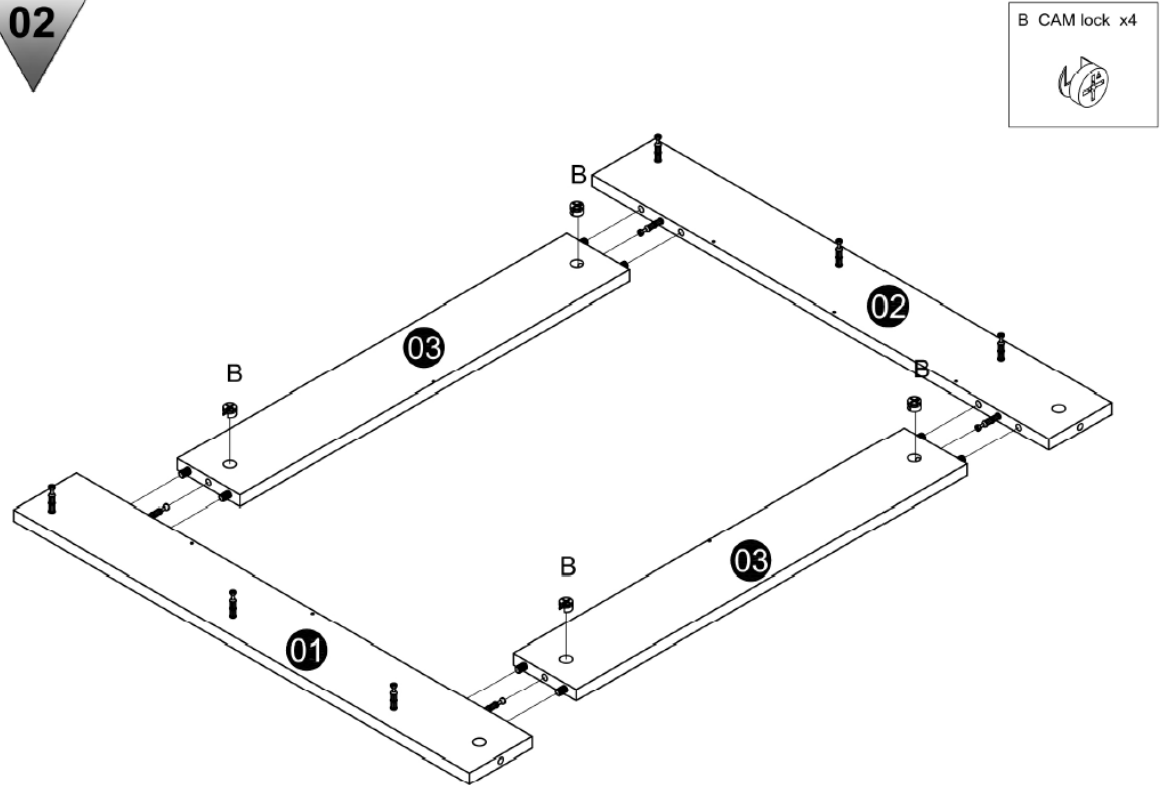
<p>F Wall anchor x4</p> 	<p>G Wood block x2</p> 		
---	--	--	---



**01**

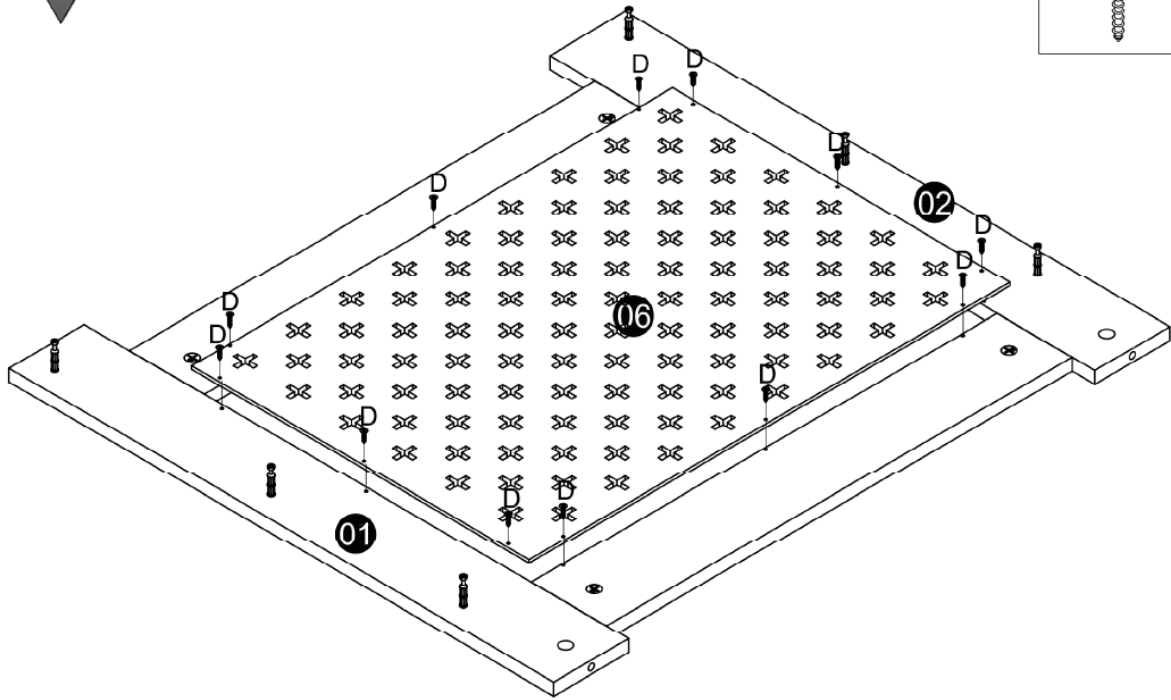


**02**



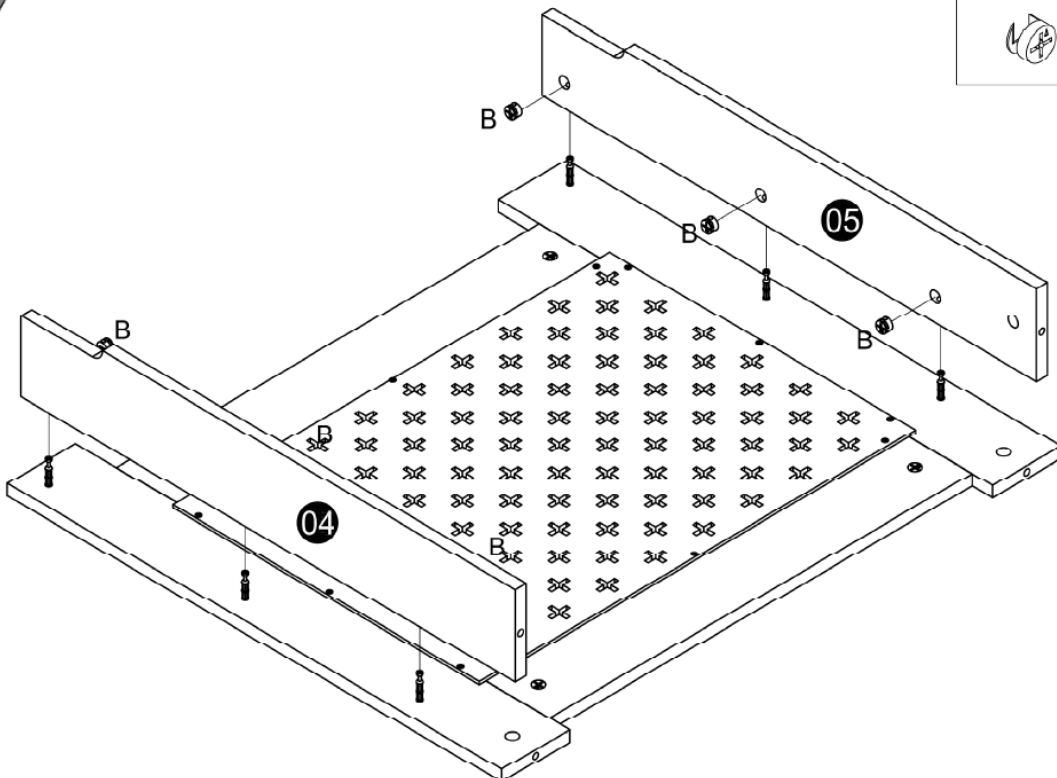
03

D Screw x12



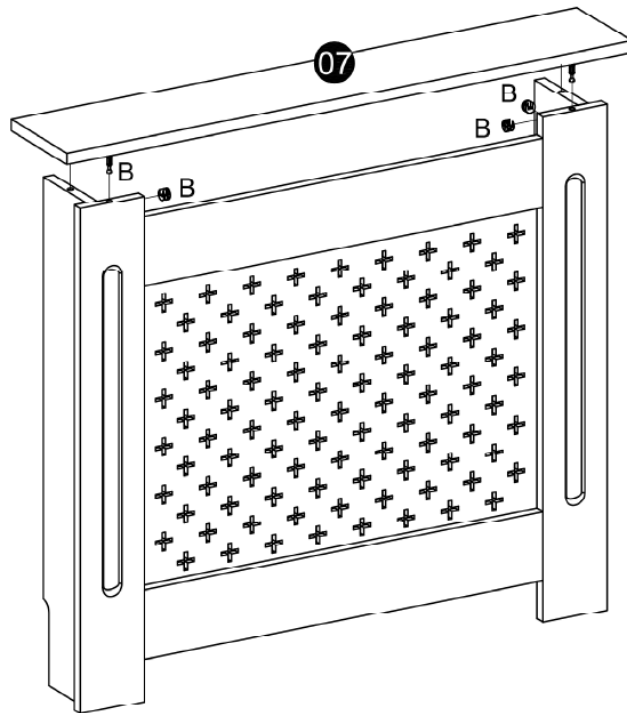
04

B CAM lock x6

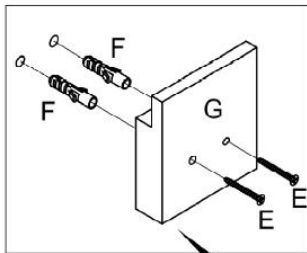





05

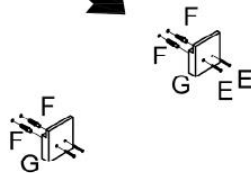
B CAM lock x4



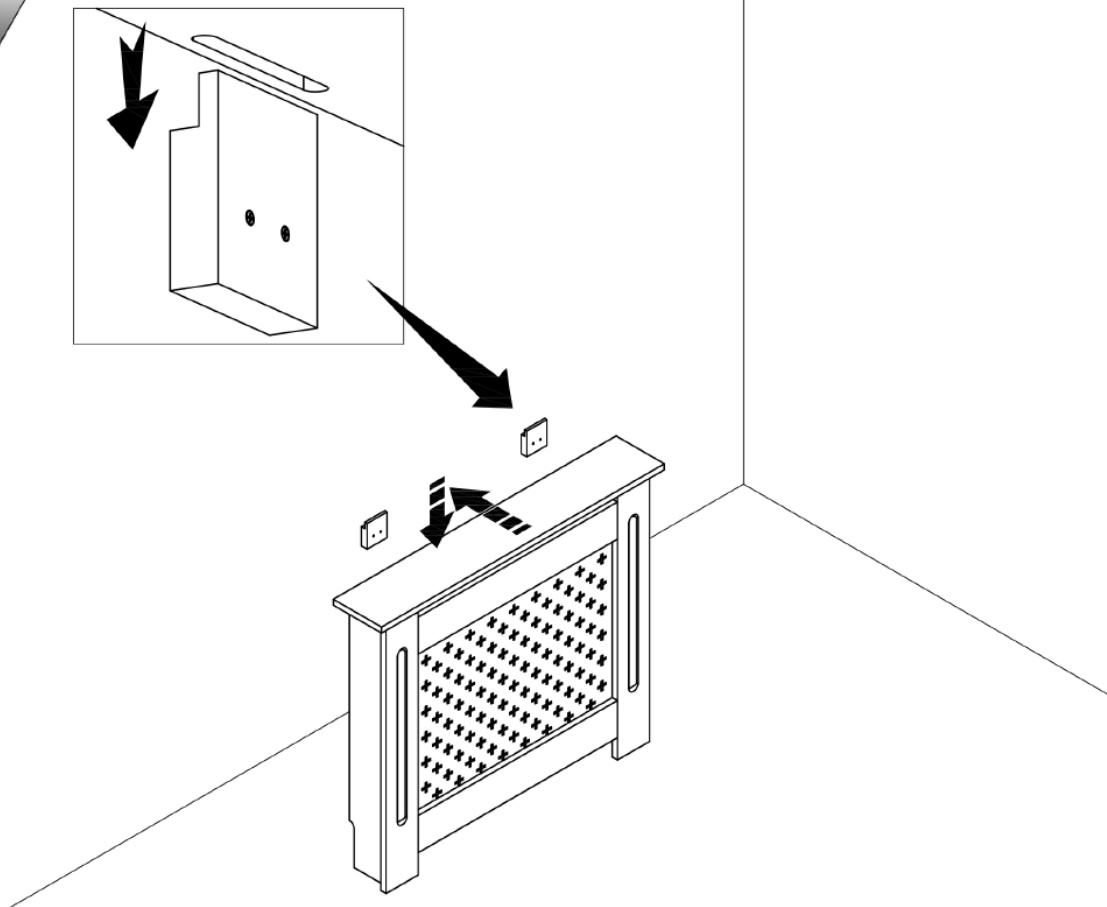
06



E Screw x4	F Wall anchor x4	G Wood block x2
		



07



**HAVE A QUESTION ABOUT YOUR PURCHASE?**

OUR DEDICATED CUSTOMER SERVICES TEAM ARE HAPPY TO HELP  
CONTACT THEM VIA:

TELEPHONE: 020 3600 2255

EMAIL: [cservice@oypla.com](mailto:cservice@oypla.com)

LIVE CHAT: [www.oypla.com](http://www.oypla.com)

PLEASE RETAIN A COPY OF THESE INSTRUCTIONS FOR FUTURE CONSULTATION

**OYPLA.COM**

An Official OYPLA Branded Product

Imported by Oypla.com LLP, Uxbridge, UB8 2FX

**USER MANUAL Model No: 4764**