



Out of this world savings.

User Manual

Model: **4793, 4794, 4795**



CD/DVD Storage Tower

**Colour May Vary*

Contents

| | |
|----------------------------|---|
| Safety Information | 2 |
| What's In The Box?..... | 3 |
| Assembly Instructions..... | 4 |

Safety Information

Please ensure you read and fully understand instructions before use

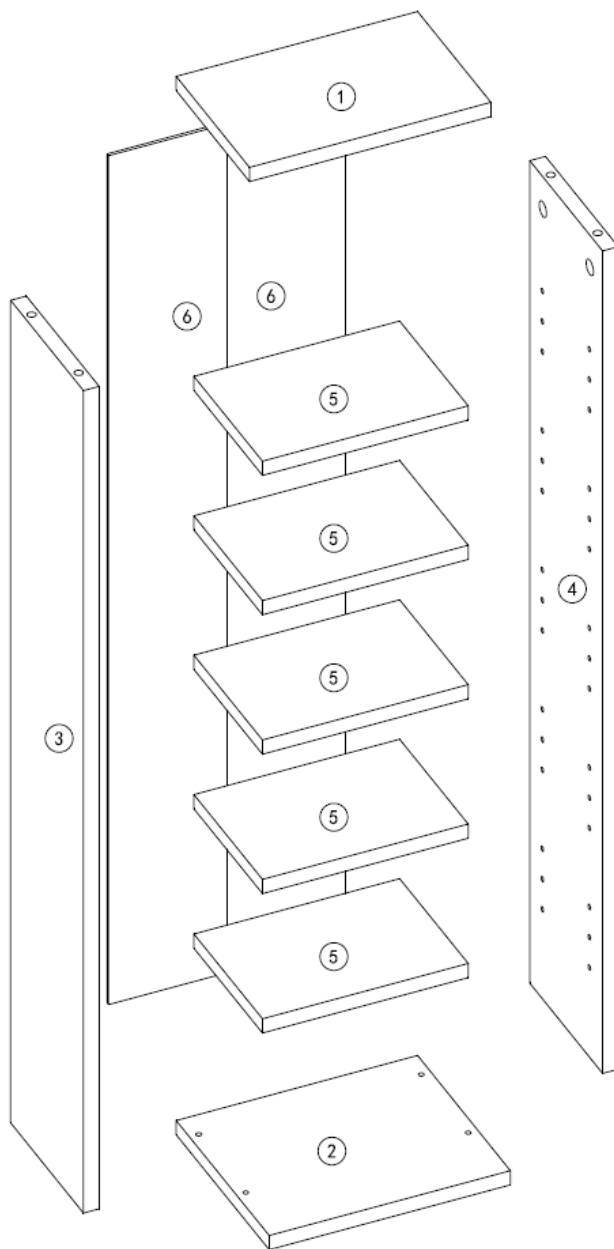
While every attempt is made to ensure the highest degree of protection in all equipment, we cannot guarantee freedom from injury. The user assumes all risk of injury due to use. All merchandise is sold on this condition, which no representative of the company can waive or change.







- Read these instructions carefully and familiarise yourself with the procedure before assembling the unit. Keep these instructions for future use.
 - Check that you have all the component parts following the list above and familiarise yourself with each part before proceeding.
 - Make sure all fastenings are tightly in place before using this product. This should be checked periodically by an adult.
 - This product is intended for indoor use only.
 - This product is not a toy, and is only to be used for its designated purpose.
 - This product contains small parts that could be a choking hazard if swallowed. Keep these items away from children.
 - Do not discard any of the packaging until you have checked that you have all of the parts and fittings required.
 - Use the correct fixings as indicated. Do not overtighten any fixings.
 - Keep product away from fire.
 - Clean only using a damp cloth. Do not use strong industrial cleaning substances, as these may damage the product.
 - If the product is damaged or has any defects, please contact cservice@oypla.com
-

What's In The Box?

Please note that you will be referring to the below parts list during assembly

If any of the below parts are missing or damaged, please contact our dedicated team at cservice@oypla.com.

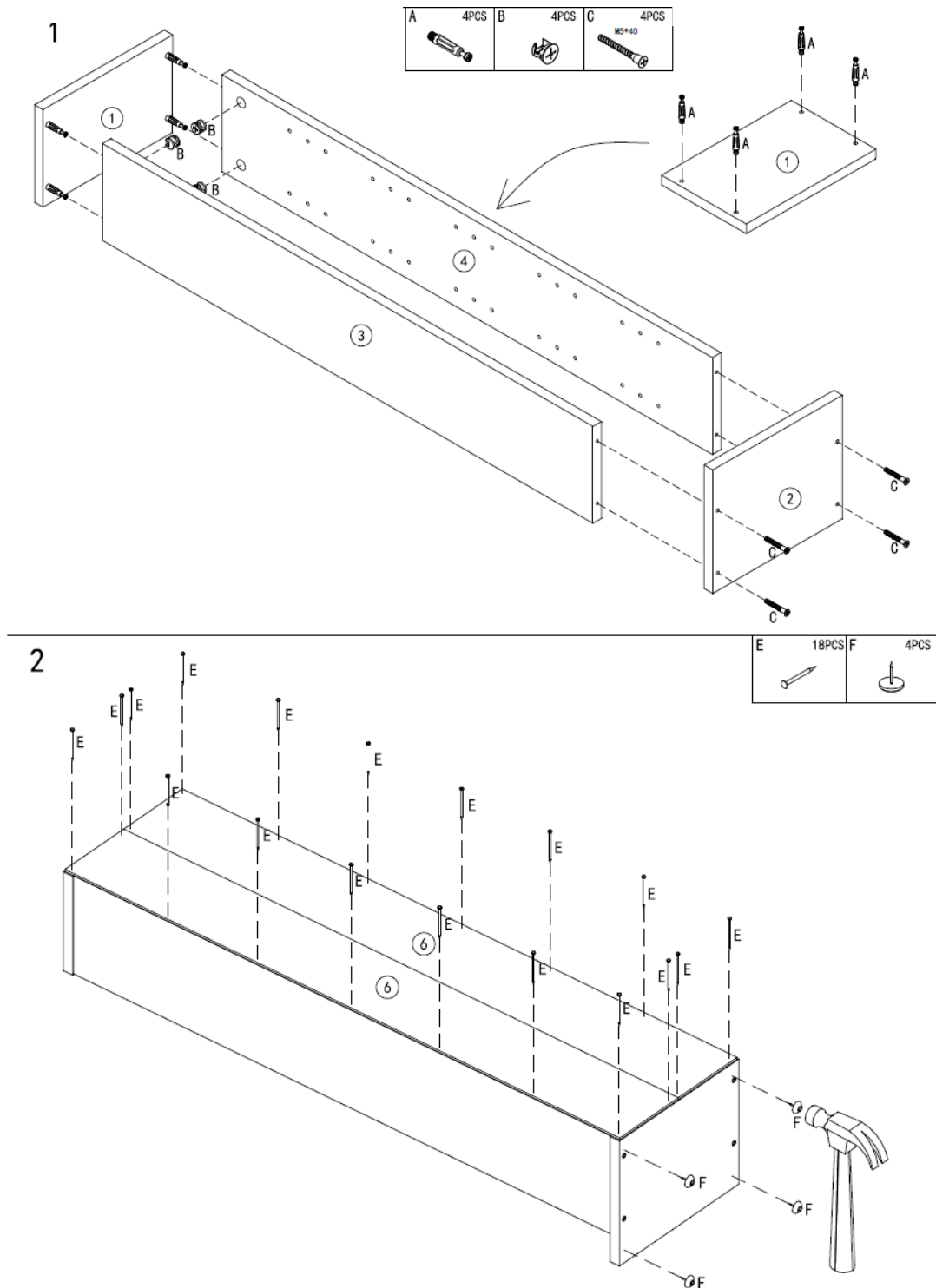


| A | 4PCS | B | 4PCS | C | 4PCS | D | 20PCS | E | 18PCS | F | 4PCS |
|---|------|---|------|---|------|---|-------|---|-------|---|------|
|  | |  | |  | |  | |  | |  | |

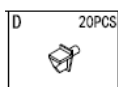
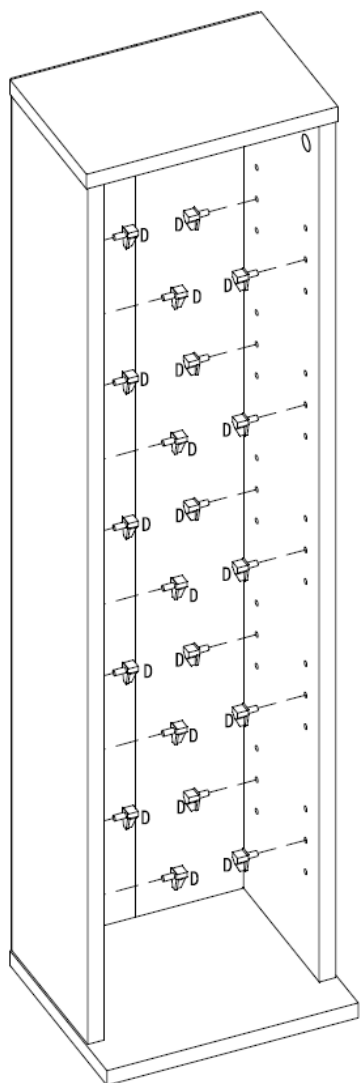
Assembly Instructions

Please refer to the below information to help assemble your Oypla product

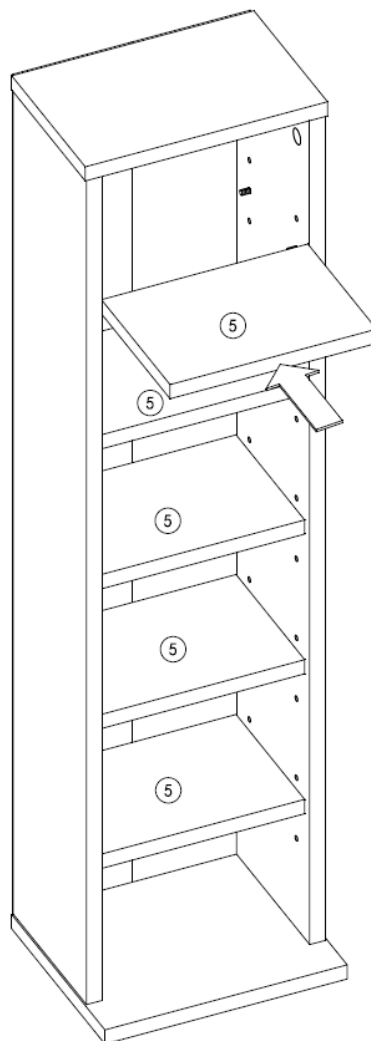
If you require assistance with the assembly of your Oypla product, please contact our dedicated team at cservice@oypla.com.



3



4



Have a Question About Your Purchase?

Our dedicated customer services team are happy to help. Contact them via:

Telephone: 020 3600 22 55

Email: cservice@oypla.com

Live Chat: www.oypla.com

Consider the Environment!

By recycling the cardboard box in which this product was packed, you contribute towards helping the environment. If you see a recycling logo such as the below on the packaging, it can be recycled. If a recycling logo is not present, please check with your local authority before recycling.



PLEASE RETAIN A COPY OF THESE INSTRUCTIONS FOR FUTURE CONSULTATION

An Official Oypla Branded Product

Imported by Oypla.com LLP, Uxbridge, UB8 2FX

User Manual

Model Code: 4793, 4794, 4795

Oypla.com LLP / cservice@oypla.com