

## Contents

- 1 Front Cover
- 2 Safety Instructions
- 2 Assembly Instructions
- 3 Back Cover



\*COLOUR MAY VARY

# Set of 3 Floating Shelves

## Contents

- 1 Front Cover
- 2 Safety Instructions
- 2 Assembly Instructions
- 3 Back Cover

# Safety Instructions

**Notice: Ensure you read and fully understand instructions before use**

While every attempt is made to ensure the highest degree of protection in all equipment, we cannot guarantee freedom from injury. The user assumes all risk of injury due to use. All merchandise is sold on this condition, which no representative of the company can waive or change.







- Read these instructions carefully and familiarise yourself with the procedure before assembling the unit. Keep these instructions for future use.
- Check that you have all the component parts following the list above and familiarise yourself with each part before proceeding.
- Make sure all fastenings are tightly in place before using this product. This should be checked periodically by an adult.
- This product is intended for indoor use only.
- This product is not a toy, and is only to be used for its designated purpose.
- This product contains small parts that could be a choking hazard if swallowed. Keep these items away from children.
- Do not discard any of the packaging until you have checked that you have all of the parts and fittings required.
- Use the correct fixings as indicated. Do not overtighten any fixings.
- Keep product away from fire.
- Clean only using a damp cloth. Do not use strong industrial cleaning substances, as these may damage the product.
- Before drilling holes in any walls or surfaces, ensure to check there are no hidden pipes or cables.
- Do not overload the shelves. (5kg limit per shelf).
- If the product is damaged or has any defects, please contact [cservice@oypla.com](mailto:cservice@oypla.com)

## Assembly Instructions

### Parts List:

If you are missing any of the below parts, please contact [cservice@oypla.com](mailto:cservice@oypla.com)

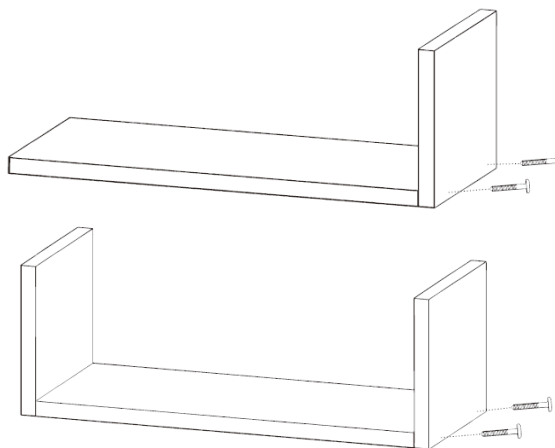
**PLEASE NOTE ALL QUANTITIES ARE "PER SHELF"**

 <b>A</b> X 1	 <b>B</b> X 2
 <b>C</b> X 4	 <b>D</b> X 1
 <b>E</b> X 2	 <b>F</b> X 2

# Contents

- 1 Front Cover
- 2 Safety Instructions
- 2 Assembly Instructions
- 3 Back Cover

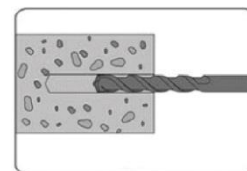
1. Using two bolts provided (C), and the Allen key (D) attach the shelf side (B) to the main part of the shelf (A). Repeat this for the other side of the shelf. Repeat this process for each shelf.



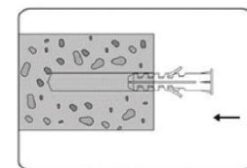
**Important:** Before mounting the shelves, ensure you have checked for pipes and cables that may be hidden in the wall or mounting surface. Do not mount the shelves on areas where pipes and/or cables lay.

Before drilling holes, ensure to lightly mark the hole locations with a pencil. We recommend using a spirit level whilst holding the shelf up to the wall, to ensure the shelf is perfectly level. Once you are happy with the hole locations, you can proceed to drill the holes, as shown below.

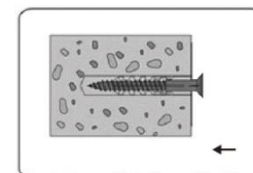
2. Proceed to drill the desired holes. Ensure to not exceed the length of the screw. You may want to use masking tape attached to the drill bit to ensure you do not drill too deep. Do not use a drill bit that is wider than the wall plugs that are provided for mounting.



3. Insert the wall plugs provided (E) into the holes you have created. A hammer can be used to lightly tap the end of the plugs to ensure they are fully inserted.

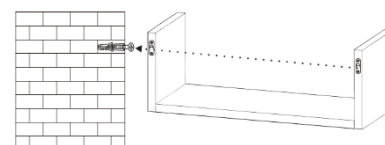


4. Insert the screws provided (F) into the holes, now with wall plugs in. Do not drill the screws all the way in – leave enough of an overhang for the shelves to attach to.



5. When both screws are inserted sufficiently, hang the shelf onto them.

Repeat this process for all 3 shelves.



## HAVE A QUESTION ABOUT YOUR PURCHASE?

OUR DEDICATED CUSTOMER SERVICES TEAM ARE HAPPY TO HELP  
CONTACT THEM VIA:

TELEPHONE: 020 3600 2255

EMAIL: [cservice@oypla.com](mailto:cservice@oypla.com)

LIVE CHAT: [www.oypla.com](http://www.oypla.com)

PLEASE RETAIN A COPY OF THESE INSTRUCTIONS FOR FUTURE CONSULTATION

# OYPLA.COM

An Official OYPLA Branded Product

Manual Version: **V1.0**  
Model Code: **4745/4746**  
**Oypla.com LLP / [www.oypla.com](http://www.oypla.com)**