

Contents

- 1 Front Cover
- 2 Safety Instructions
- 3 Assembly Instructions
- 7 Operating Instructions
- 7 Back Cover



*COLOUR MAY VARY

Aluminium Venetian Blind

Contents

1	Front Cover
2	<u>Safety Instructions</u>
3	Assembly Instructions
7	Operating Instructions
7	Back Cover

Safety Instructions

Notice: Ensure you read and fully understand instructions before use

While every attempt is made to ensure the highest degree of protection in all equipment, we cannot guarantee freedom from injury. The user assumes all risk of injury due to use. All merchandise is sold on this condition, which no representative of the company can waive or change.

- Read these instructions carefully and familiarise yourself with the procedure before assembling the unit. Keep these instructions for future use.
- Check that you have all the component parts following the list above and familiarise yourself with each part before proceeding.
- Young children can be strangled by loops in pull-cords, chains and tapes, and cords that operate the product. To avoid strangulation and entanglement, keep cords out of the reach of young children.
- Do not tie cords together. Make sure cords do not twist and create a loop.
- Head rails of internal blinds with pull cords shall not be installed less than 1.5m from the floor
- Move beds, cots and furniture away from window covering cords.
- Make sure all fastenings are tightly in place before using this product. This should be checked periodically by an adult.
- Take care when operating the manual release with the internal blind retracted since it may fall rapidly.
- This product is intended for indoor use only.
- This product is not a toy, and is only to be used for its designated purpose.#
- This product contains small parts that could be a choking hazard if swallowed. Keep these items away from children.
- Do not discard any of the packaging until you have checked that you have all of the parts and fittings required.
- Use the correct fixings as indicated. Do not overtighten any fixings.
- Keep product away from fire.
- Clean only using a damp cloth. Do not use strong industrial cleaning substances, as these may damage the product.
- Before drilling holes in any walls or surfaces, ensure to check there are no hidden pipes or cables.
- If the product is damaged or has any defects, please contact cservice@oypla.com

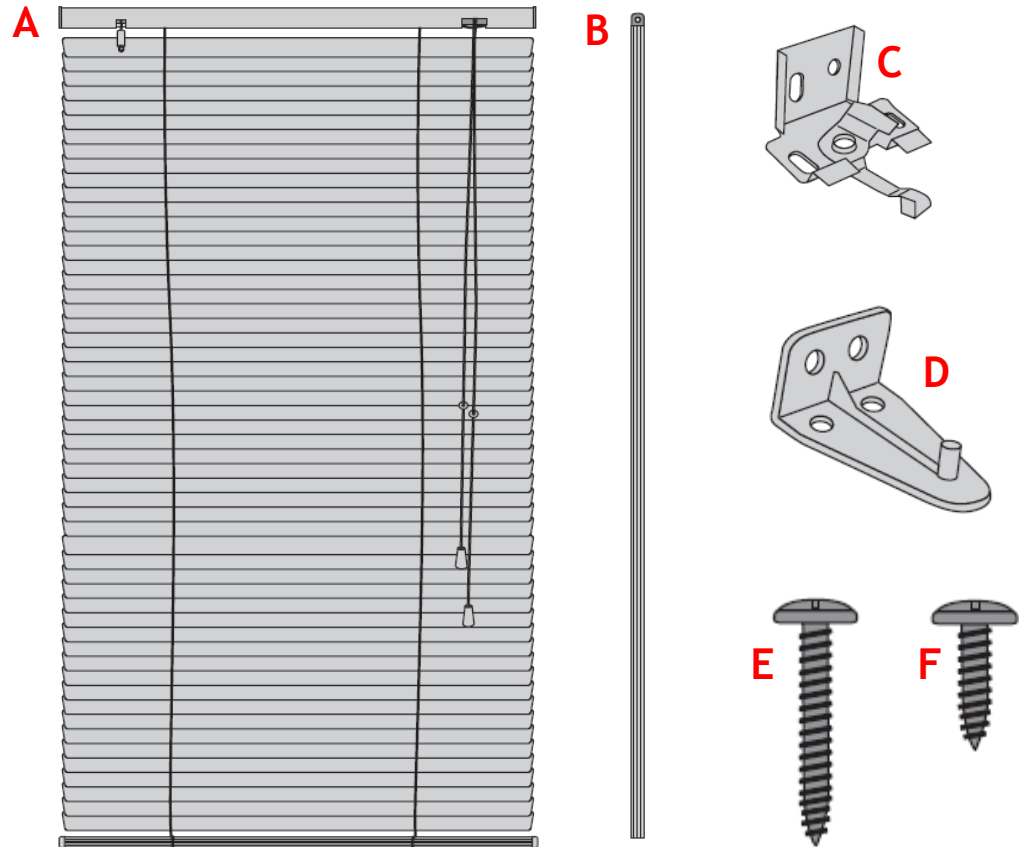
Contents

- 1 Front Cover
- 2 Safety Instructions
- 3 Assembly Instructions
- 7 Operating Instructions
- 7 Back Cover

Assembly Instructions

Parts List:

If you are missing any of the below parts, please contact cservice@oypla.com



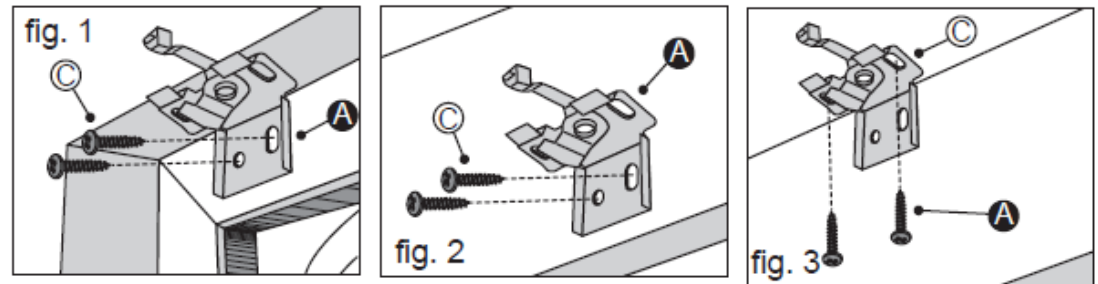
Part	Description	Quantity
A	Blind	1
B	Wand	1
C	Bracket	Model Dependant
D	"Hold Down" Bracket	2
E	Long Screw	60/80cm Model: 8pcs , 100/120cm Model: 14pcs
F	Short Screw	4

Contents

1	Front Cover
2	Safety Instructions
3	<u>Assembly Instructions</u>
7	Operating Instructions
7	Back Cover

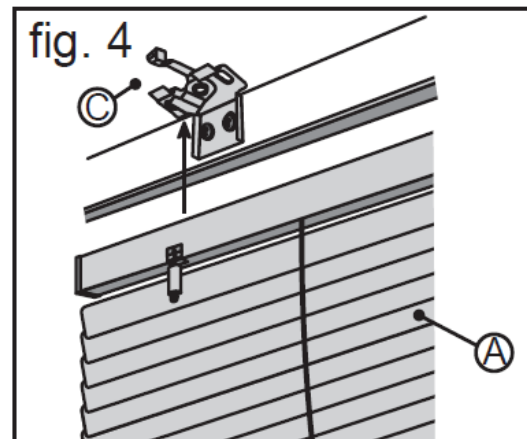
1. The blind can be positioned:

- **Inside Mounting** (fit to the inside of the window frame) (fig. 1)
- **Outside Mounting** (fit to the outside of the window frame) (fig. 2)
- **Ceiling Mounting** (fit to the ceiling above the window frame) (fig. 3)

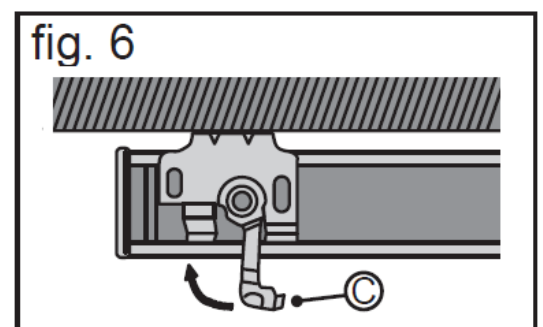
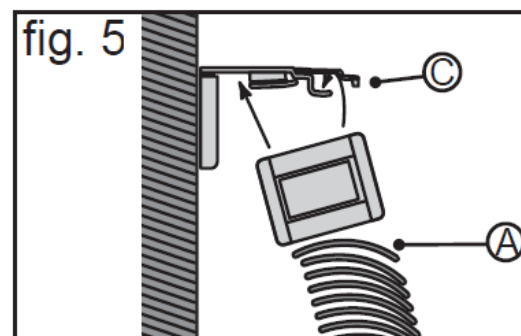


2. Using **long screws (E)**, fix the bracket to the desired location. See figures 1-3 for help.

3. Insert the blind (A) into the Bracket (C). See figure 4.



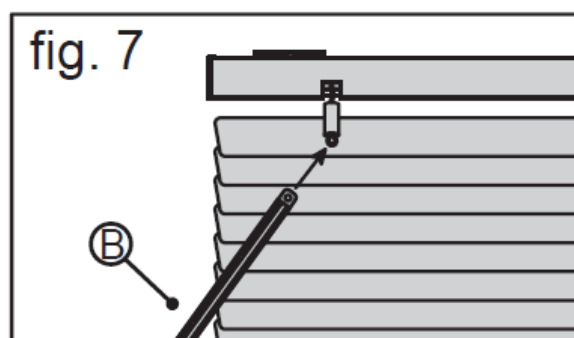
4. Ensure the headrail of the Blind (A) is fully inserted into the Bracket (C). See figure 5. Then, pull the swivel of the Bracket (C) to the left-hand side to lock the Bracket (C) into place with the headrail of the Blind (A) attached. See figure 6.



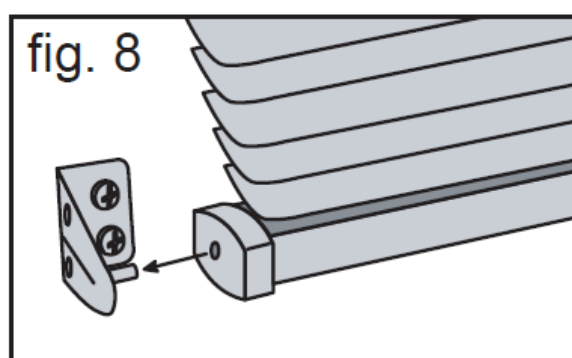
Contents

1	Front Cover
2	Safety Instructions
3	<u>Assembly Instructions</u>
7	Operating Instructions
7	Back Cover

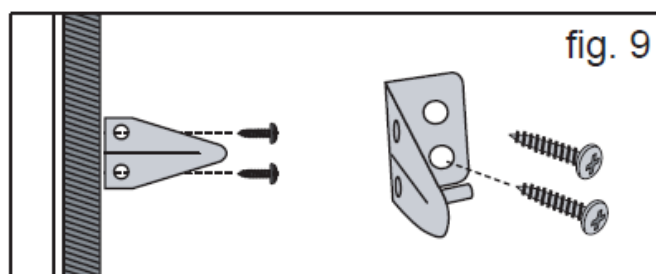
5. Affix the Wand (B) to the Blind (A). See figure 7.



6. Attach the Blind (A) to the Hold Down Brackets (D) as shown in figure 8.



7. The hole on the end cap of the bottom rail fits into the Hold Down Brackets (D) at the end of the window. See figure 9.



Shortening the Blind

Note: Before fitting, you can custom-fit the blind to the correct height. *Use figures 10 to 15 on the following page to help you through this process.

- 1) Height – when the blind is fully lowered, there should be no slats overlapping at the bottom of the blind. If overlapping occurs, you can remove slats to allow a custom fit.
- 2) Hold the blind at the desired location and allow it to fully lower. In the open position, the slats should be approximately 2cm apart.
- 3) Lay the blind on a flat surface and remove the caps on the bottom end slat. The caps are attached to the lift cords.
- 4) Cut lift cord 2cm above the cap and remove. Pull the lift cord from these slats to allow them to slide out of the ladder rung.

Contents

1	Front Cover
2	Safety Instructions
3	<u>Assembly Instructions</u>
7	Operating Instructions
7	Back Cover

- 5) Count the number of slats you wish to remove. Pull the lift cord from these slats to allow them to slide out of the ladder rung.
- 6) Remember to allow for the bottom end slat to be reinserted. Reinsert the lift cord through the cap holes and then insert back through the top and the caps.
- 7) Knot lift cord directly beneath caps and cut off excess cord. Allow one extra rung and cut off excess ladder, before tucking the remaining ladder into the bottom end slat cap holes. Finally, replace the caps.
- 8) After the blind is shortened, you may wish to adjust the pull cord length. Raise up the plastic cover over the knot and cut off excess cord and then re-knot.

fig. 10

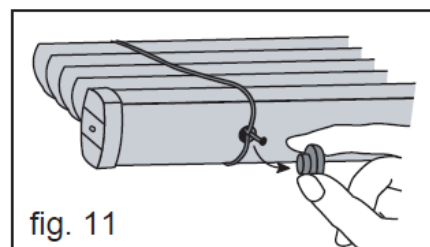
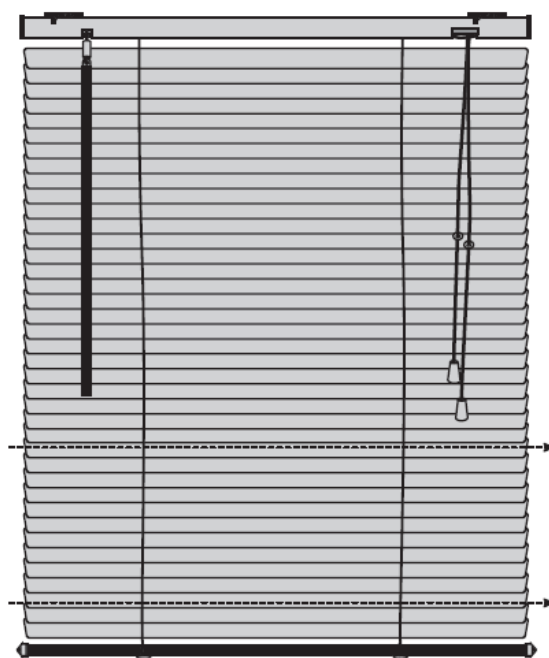


fig. 11

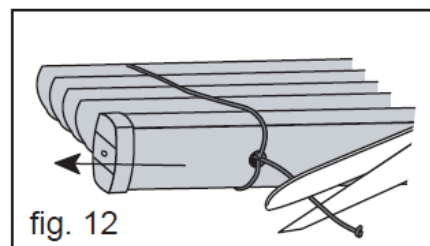


fig. 12

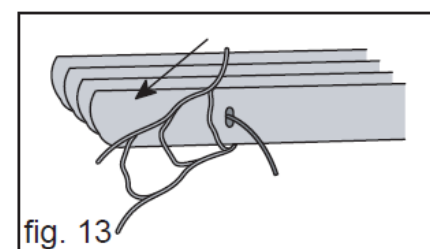


fig. 13

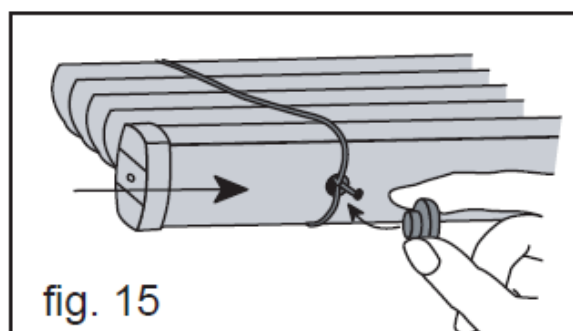


fig. 15

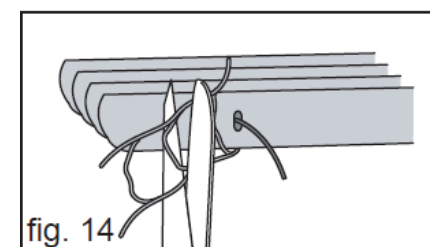
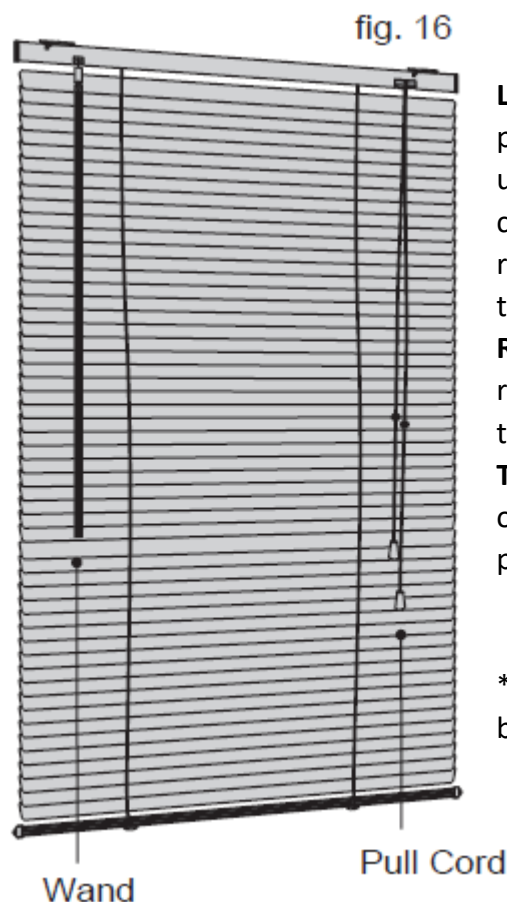


fig. 14

Contents

- 1 Front Cover
- 2 Safety Instructions
- 3 Assembly Instructions
- 7 Operating Instructions
- 7 Back Cover

Operating Instructions



Lowering: Hold cord at eye level, and push to the left pulling down gently – until the cord lock releases. Allow the cord to slip through fingers until blind reaches desired level. Move pull cord to the right and the blind will lock into place.

Raising: Pull cord downward until blind reaches desired height, release cord, and the blind should lock into place.

Tilting: Rotate the Wand on the left side of the blind to attain the desired slat position.

*Note: Always tilt blind horizontally before raising or lowering the blind.

HAVE A QUESTION ABOUT YOUR PURCHASE?

OUR DEDICATED CUSTOMER SERVICES TEAM ARE HAPPY TO HELP
CONTACT THEM VIA:

TELEPHONE: 020 3600 2255

EMAIL: cservice@oypla.com

LIVE CHAT: www.oypla.com

PLEASE RETAIN A COPY OF THESE INSTRUCTIONS FOR FUTURE CONSULTATION

OYPLA.COM

An Official OYPLA Branded Product

Manual Version: **V1.0**

Model Code: **4728,4729,4730,4731,4732,4733,4734,4735**

Oypla.com LLP / www.oypla.com