

## Contents

- 1 Front Cover
- 2 Safety Instructions
- 3 Assembly Instructions
- 7 Operating Instructions
- 7 Back Cover



\*COLOUR MAY VARY

# PVC Venetian Blind

## Contents

1	Front Cover
2	<u>Safety Instructions</u>
3	Assembly Instructions
7	Operating Instructions
7	Back Cover

# Safety Instructions

## Notice: Ensure you read and fully understand instructions before use

While every attempt is made to ensure the highest degree of protection in all equipment, we cannot guarantee freedom from injury. The user assumes all risk of injury due to use. All merchandise is sold on this condition, which no representative of the company can waive or change.

- Read these instructions carefully and familiarise yourself with the procedure before assembling the unit. Keep these instructions for future use.
- Check that you have all the component parts following the list above and familiarise yourself with each part before proceeding.
- Young children can be strangled by loops in pull-cords, chains and tapes, and cords that operate the product. To avoid strangulation and entanglement, keep cords out of the reach of young children.
- Do not tie cords together. Make sure cords do not twist and create a loop.
- Head rails of internal blinds with pull cords shall not be installed less than 1.5m from the floor
- Move beds, cots and furniture away from window covering cords.
- Make sure all fastenings are tightly in place before using this product. This should be checked periodically by an adult.
- Take care when operating the manual release with the internal blind retracted since it may fall rapidly.
- This product is intended for indoor use only.
- This product is not a toy, and is only to be used for its designated purpose.#
- This product contains small parts that could be a choking hazard if swallowed. Keep these items away from children.
- Do not discard any of the packaging until you have checked that you have all of the parts and fittings required.
- Use the correct fixings as indicated. Do not overtighten any fixings.
- Keep product away from fire.
- Clean only using a damp cloth. Do not use strong industrial cleaning substances, as these may damage the product.
- Before drilling holes in any walls or surfaces, ensure to check there are no hidden pipes or cables.
- If the product is damaged or has any defects, please contact [cservice@oypla.com](mailto:cservice@oypla.com)

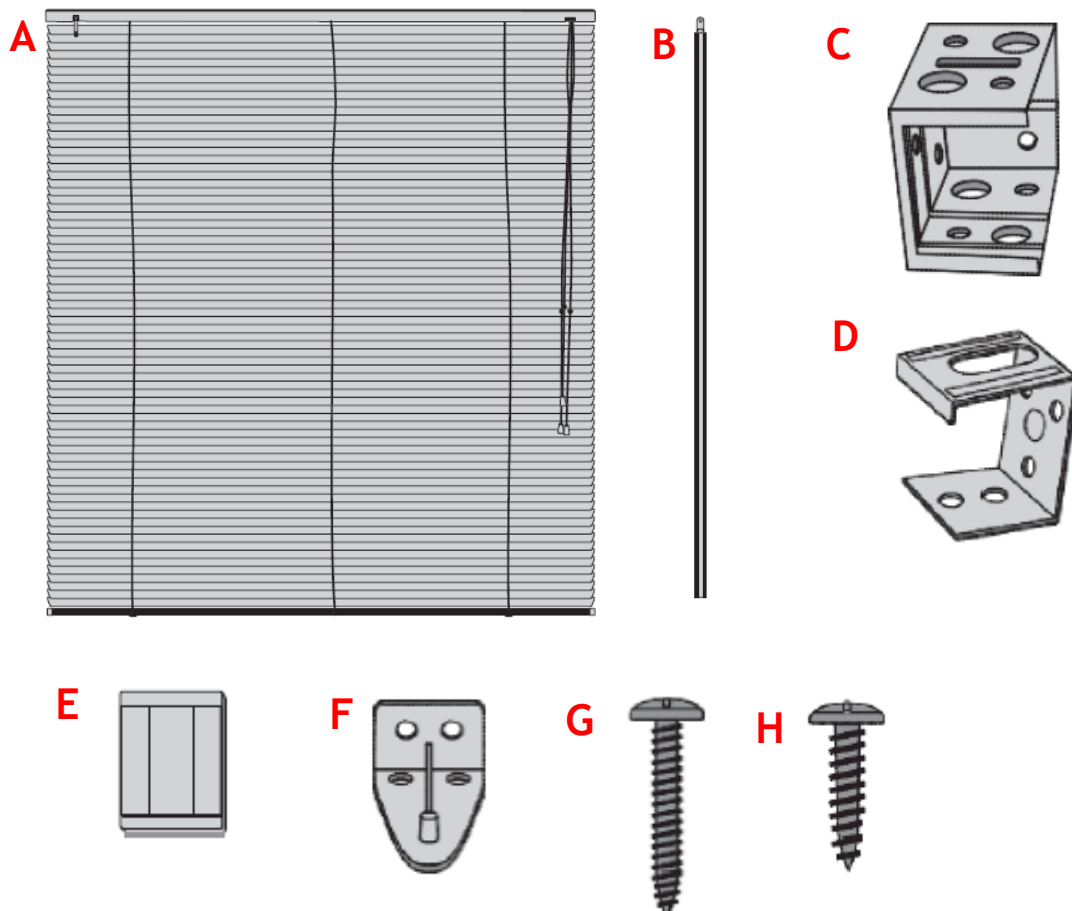
## Contents

1	Front Cover
2	Safety Instructions
3	<u>Assembly Instructions</u>
7	Operating Instructions
7	Back Cover

# Assembly Instructions

## Parts List:

If you are missing any of the below parts, please contact [cservice@oypla.com](mailto:cservice@oypla.com)



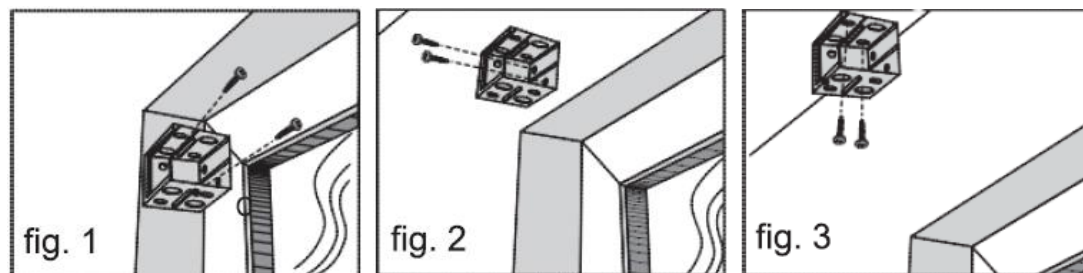
Part	Description	Quantity
A	Blind	1
B	Wand	1
C	Bracket	2
D	Central Support	60/80cm Model: <b>0pcs</b> , 100/120cm Model: <b>1pc</b>
E	Bracket Face	2
F	Hold Down Bracket	2
G	Long Screw	60/80cm Model: <b>6pcs</b> , 100/120cm Model: <b>9pcs</b>
H	Short Screw	4

# Contents

1	Front Cover
2	Safety Instructions
3	<u>Assembly Instructions</u>
7	Operating Instructions
7	Back Cover

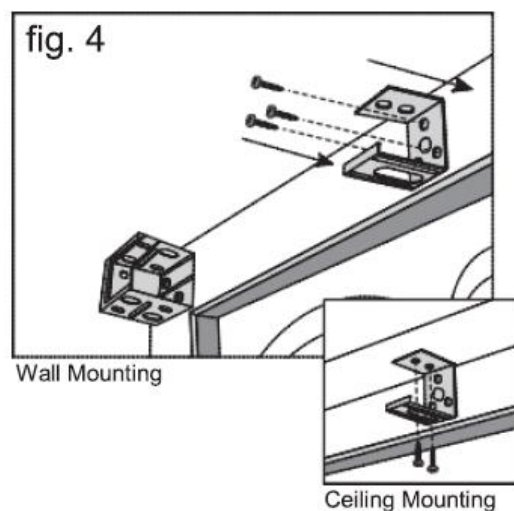
1. The blind can be positioned:

- **Inside Mounting** (fit to the inside of the window frame) (fig. 1)
- **Outside Mounting** (fit to the outside of the window frame) (fig. 2)
- **Ceiling Mounting** (fit to the ceiling above the window frame) (fig. 3)

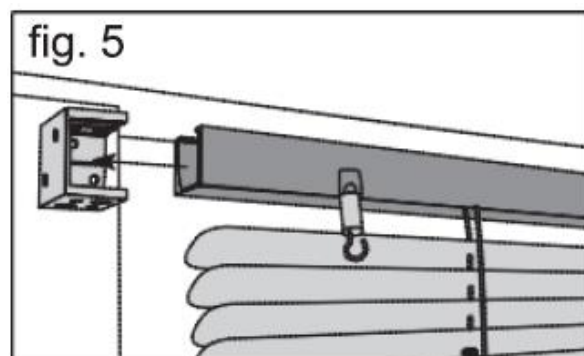


2. To install Central Support – **60/80cm Models Only**

Using a long screw, fix the central support. The side with 2 screw holes should face towards the ceiling. The side with 3 screw holes should face the wall. Ensure the location allows the blind to sit horizontally when fitted or parallel to the window when fitted on the ceiling. See figure 4.



3. Place the Blind (A) into the Bracket (C). See figure 5.



# Contents

- 1 Front Cover
- 2 Safety Instructions
- 3 Assembly Instructions
- 7 Operating Instructions
- 7 Back Cover

4. Slide the Bracket Face Plate (E) into the Bracket (C). See figure 6.

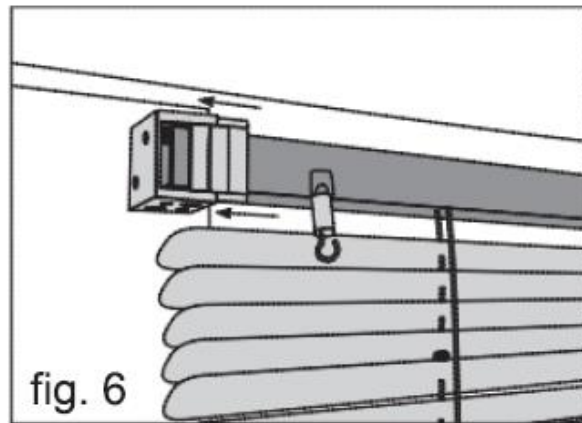


fig. 6

5. Affix the Wand (B) onto the Blind (A). See figure 7.

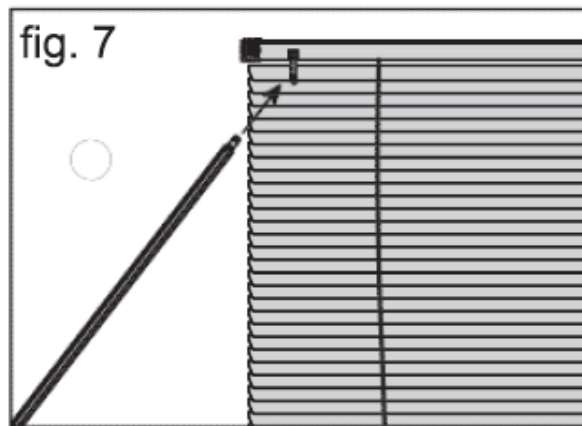


fig. 7

6. Using the Short Screws (H) provided, affix the Hold Down Brackets (F) The hole on the end of the bottom rail fits into the Hold Down Bracket at the end of the window. See figures 8 and 9.

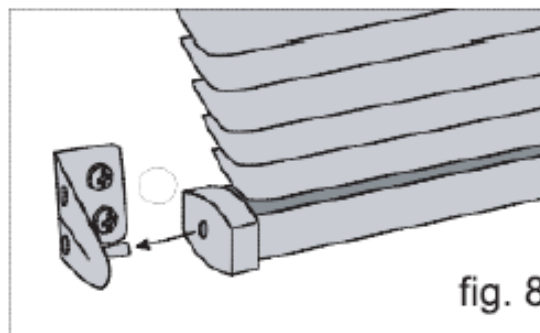


fig. 8

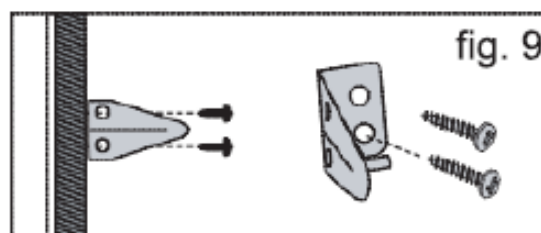


fig. 9

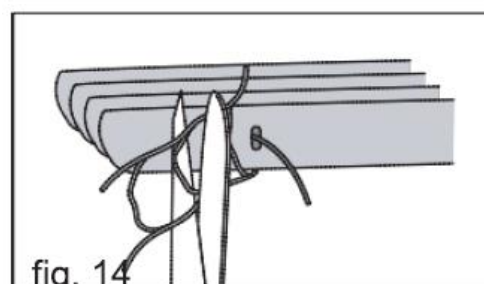
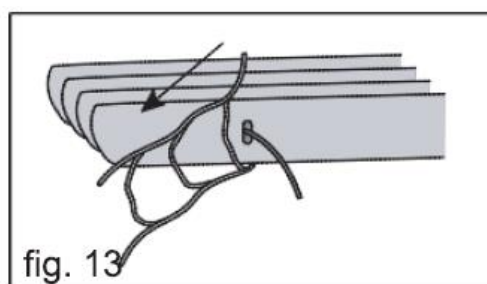
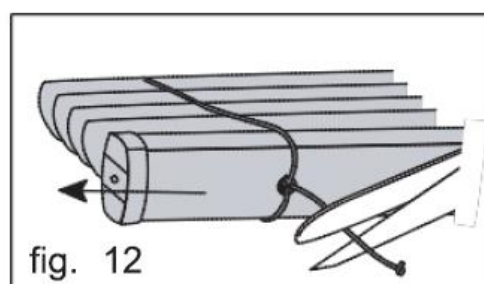
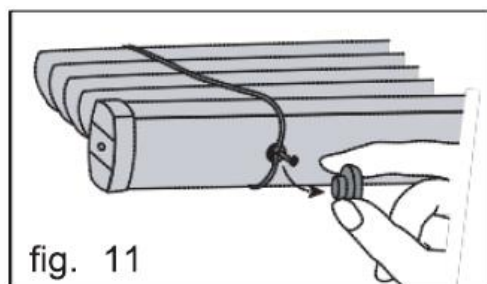
## Contents

1	Front Cover
2	Safety Instructions
3	<u>Assembly Instructions</u>
7	Operating Instructions
7	Back Cover

## Shortening the Blind

Note: Before fitting, you can custom-fit the blind to the correct height. \*Use figures 11 to 14 to help you through this process.

- 1) Height – when the blind is fully lowered, there should be no slats overlapping at the bottom of the blind. If overlapping occurs, you can remove slats to allow a custom fit.
- 2) Hold the blind at the desired location and allow it to fully lower. In the open position, the slats should be approximately 2cm apart.
- 3) Lay the blind on a flat surface and remove the caps on the bottom end slat. The caps are attached to the lift cords.
- 4) Cut lift cord 2cm above the cap and remove. Pull the lift cord from these slats to allow them to slide out of the ladder rung.
- 5) Count the number of slats you wish to remove. Pull the lift cord from these slats to allow them to slide out of the ladder rung.
- 6) Remember to allow for the bottom end slat to be reinserted. Reinsert the lift cord through the cap holes and then insert back through the top and the caps.

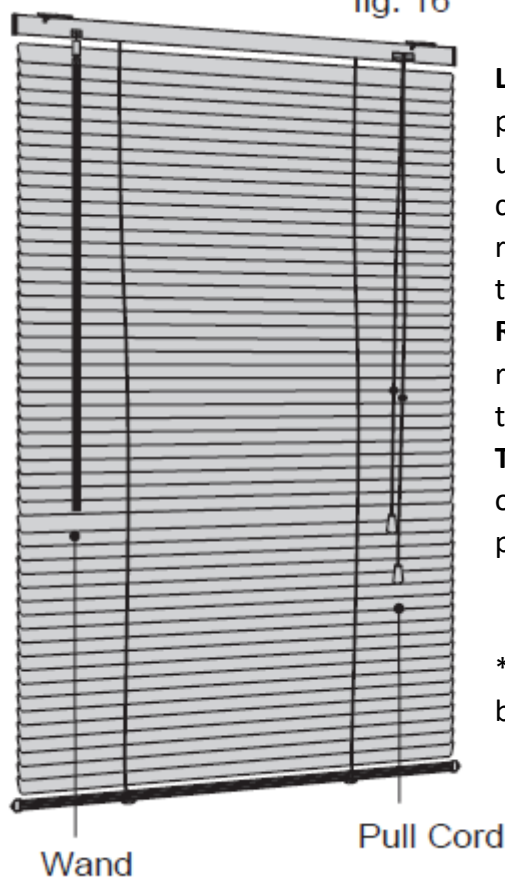


## Contents

- 1 Front Cover
- 2 Safety Instructions
- 3 Assembly Instructions
- 7 Operating Instructions
- 7 Back Cover

# Operating Instructions

fig. 16



**Lowering:** Hold cord at eye level, and push to the left pulling down gently – until the cord lock releases. Allow the cord to slip through fingers until blind reaches desired level. Move pull cord to the right and the blind will lock into place.

**Raising:** Pull cord downward until blind reaches desired height, release cord, and the blind should lock into place.

**Tilting:** Rotate the Wand on the left side of the blind to attain the desired slat position.

\*Note: Always tilt blind horizontally before raising or lowering the blind.

### HAVE A QUESTION ABOUT YOUR PURCHASE?

OUR DEDICATED CUSTOMER SERVICES TEAM ARE HAPPY TO HELP  
CONTACT THEM VIA:

TELEPHONE: 020 3600 2255

EMAIL: [cservice@oypla.com](mailto:cservice@oypla.com)

LIVE CHAT: [www.oypla.com](http://www.oypla.com)

PLEASE RETAIN A COPY OF THESE INSTRUCTIONS FOR FUTURE CONSULTATION

# OYPLA.COM

An Official OYPLA Branded Product

Manual Version: **V1.0**

Model Code: **4716, 4717, 4718, 4719, 4720, 4721, 4722, 4723, 4724, 4725, 4726, 4727**

Imported by Oypla.com LLP, Uxbridge, UB8 2FX

**Oypla.com LLP / [www.oypla.com](http://www.oypla.com)**