

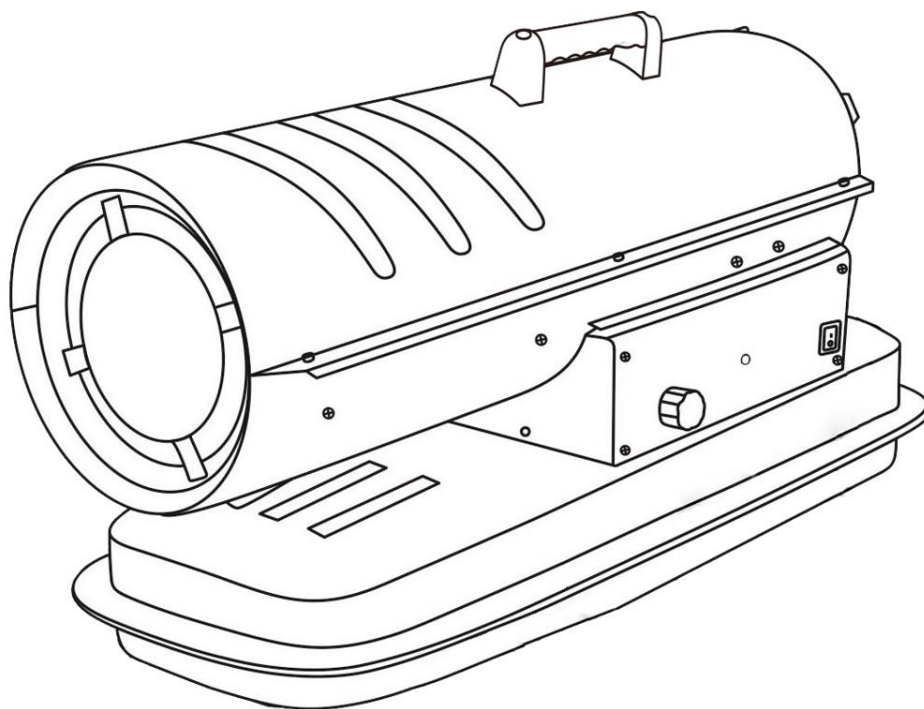


User Manual

Model Code: 4714

Contents

- 1 **Front Cover**
 -
- 2 Safety Instructions
 -
- 4 Assembly Instructions
 -
- 4 Ignition
 -
- 5 Diagrams
 -
- 6 Trouble Shooting
 -
- 7 Maintenance
 -
- 7 Technical
 -
- 8 Back Cover



20kW Industrial Heater



Contents

1	Front Cover
-	
2	Safety Instructions
-	
4	Assembly Instructions
-	
4	Ignition
-	
5	Diagrams
-	
6	Trouble Shooting
-	
7	Maintenance
-	
7	Technical
-	
8	Back Cover

End

Safety Instructions

Notice: Ensure you read and fully understand instructions before use

While every attempt is made to ensure the highest degree of protection in all equipment, we cannot guarantee freedom from injury. The user assumes all risk of injury due to use. All merchandise is sold on this condition, which no representative of the company can waive or change.

WARNING: This product is powered using diesel, and creates a flame whilst in use. It must only be used either outdoors or in very well-ventilated areas, as it will produce both smoke and fumes. Please read the instructions carefully for more specific details.

- Make sure all fastenings are tightly in place and everything is in order, before using the product. This should be checked periodically by an adult.
- Never carry out alterations or modifications to this product.
- This product is not a toy, and is only to be used for its designated purpose.
- This heater is not suitable for use as a primary heating source.
- Never leave the product unattended whilst it is in operation. If you have to leave the product unattended, even for a short while, always switch it off.
- Keep the product out of children's reach, and do not allow children to operate it.
- Do not place the mains cable on or near any hot or hazardous surface.
- Do not touch the product if your hands are moist or wet.
- Do not attempt to move the product by pulling the power cord.
- Do not place the heater next to, or above, an electrical socket.
- Do not cover the heater in any way.
- Do not place the heater close to flammable materials or explosive gases/liquids.
- Only place the heater in a position that will allow for the flow of hot air not to be blocked.
- This product is only for use outdoors or in a well-ventilated indoor area.
- Always unplug the heater when it is not in use. Even at the lowest setting, the heater is still operating, making it a potential fire hazard.
- Clean only with a damp cloth. Do not use strong industrial cleaning substances or abrasive materials as these may damage the product.
- Always unplug the product before cleaning.
- Leave the product to cool fully after use (3 hours minimum) before cleaning the product.
- This product is not intended for use by children or other persons without assistance or supervision if their physical, sensory or mental capabilities prevent them from using it safely.
- Appliance plug must match the outlet. Never modify the plug in any way. Do not use any adapter plugs with the appliance.
- Always wear appropriate PPE, including gloves, face masks and eye shields.
- Do not operate this product if the cable, plug or product is damaged in any way.
- Parts of this product can become extremely hot and can cause burns. Particular attention must be given where children and/or vulnerable people are present.
- When using the heater for the first time, you may notice an emission of smoke. This is quite normal and it will stop after a short time. The heating element is made from stainless steel and coated in protection oil during production. The smoke is caused by the oil when heated.
- The appliance is not suitable for use outdoors in damp weather, in bathrooms or in other wet or damp environments. Avoid using the appliance in rain or other damp conditions.
- The appliance can become very hot and therefore should be placed a safe distance away from any flammable objects or furniture.
- This appliance must not be placed directly below a socket outlet.
- Do not connect the appliance using an on/off timer or other equipment which can automatically switch the device on.
- Never use an extension cord/reel or adapter plug to power this product. If unavoidable, an extension reel CAN be used, but only a suitable one.
- The appliance must not be used in rooms where flammable liquids or gases are used or stored.
- Do not use this product in the immediate surroundings of a bath, a shower or a swimming pool.
- Make sure the appliance is always under surveillance, to keep children and animals away from it.
- Never remove the plug by pulling on the cord.
- Keep the heater far away from objects such as curtains, where the air inlet can easily be blocked.
- Do not place the product on moving vehicles or somewhere easy to be tipped over.
- Always keep your work area clean and well lit. Cluttered or dark areas invite accidents.
- The power coupler is waterproof when not in use. In order to prevent possible electric shock or leakage current, never use the appliance with wet or damp hands, or operate the appliance when there is water, or any liquid, on the power cord.

Model Code: **4714**

Oypla.com LLP / www.oypla.com

Contents

1	Front Cover
-	
2	Safety Instructions
-	
4	Assembly Instructions
-	
4	Ignition
-	
5	Diagrams
-	
6	Trouble Shooting
-	
7	Maintenance
-	
7	Technical
-	
8	Back Cover

End

- Do not wear loose clothing or jewellery. Keep your hair, clothing and gloves away from moving parts and the air intake.
- Do not move the appliance when it is in operation or when unplugged into the mains supply. Only move the appliance once it has fully cooled, and has been unplugged.
- Never point the appliance directly at persons nearby.
- Only operate on a stable, level surface.
- When not in use, store the heater in a dry, clean area, covered if possible. This is to prevent dust building up which can create a fire hazard.
- Bulk fuel storage should be a minimum of 25ft from heaters, torches, portable generators, or other sources of ignition. All fuel storage should be in accordance with national, state, or local authorities.
- Before each use, check that there are no fuel leaks. If a fuel leak is found, do not use the product.
- If the product is damaged or defective, please contact cservice@oypla.com
- If operating the heater in a damp location is unavoidable, use a residual current device (RCD) protected supply.
- Avoid unintentional starting. Ensure the switch is in the off position before connecting the appliance to the power source.
- Check the heater thoroughly for damage. Do NOT operate a damaged heater.
- Do not insert any objects through the air intake or outlet.
- Only install the heater in a normal, upright position.
- Never use in areas normally for habitation and/or where children may be present. Not for domestic use.
- Use only with electrical power supply specified on the rating label.
- People with breathing problems should consult a physician before using the heater. If you show any signs of carbon monoxide poisoning, including flu-like symptoms such as headaches, dizziness, and/or nausea, consult a doctor and cease use of the heater immediately.

Warnings

⚠ Failure to comply with the precautions and instructions provided with this heater can result in serious bodily injury, property loss/damage from hazards of fire/explosions/burns/asphyxiation/carbon monoxide poisoning/electrical shock, and even death.

⚠ Fire, burn, inhalation and explosion hazard. Keep solid combustibles such as building materials, cardboard, and paper a safe distance away from the heater. Never use the heater in spaces which do or may contain volatile or airborne combustibles, or products such as gasoline, solvents, paint thinner, dust particles or unknown chemicals.

⚠ This heater must only be used in very well-ventilated areas, or outdoors. Failure to do so exposes a risk of fume inhalation and carbon monoxide poisoning.

⚠ This heater must always be powered off and unplugged while left unattended.

⚠ Never refuel/move/handle or service while the heater is hot or in use.

⚠ Always keep combustibles, like paper and wood, at least 3 metres from the heater outlet and 2 metres from the top, sides and inlet.

⚠ Avoid body contact with earthed or grounded surfaces such as pipes, radiators, ranges and refrigerators. These pose an increased risk of electrical shock.

⚠ Diesel fuel is carcinogenic. Take care when transporting, refuelling and storing diesel fuel. Always clean up fuel spills with regard to local legislative requirements.

⚠ Using this heater in dusty or dirty conditions creates a fire hazard. Avoid using the heater in such conditions.

⚠ Using this heater in close proximity to combustible gases, liquids and other objects creates a serious explosion and fire hazard. Never operate the heater near such objects.

⚠ When cleaning (using only a damp cloth), never allow water to enter the inner parts of the heater. If this happens, ensure the heater is thoroughly dry inside and out before operating it.

⚠ Smoke is to be expected when using the product for the first few times, due to the protective manufacturing oils burning away.

⚠ This heater is only to be fuelled using diesel or kerosene. Do not use any other substances as fuel. NEVER use petrol, used oils, paint thinners, naphtha, alcohol or other fuels of any kind. Use of incorrect fuel may cause danger of explosion and death,

⚠ Use only in accordance with national and local regulations, directives, and all other relevant restrictions.

⚠ NEVER use in a room or area that also has combustible gases or liquids present.

⚠ When operating a heater, stay alert of what you are doing and use common sense – avoid using the heater if you are tired or under the influence of drugs, alcohol or medication.

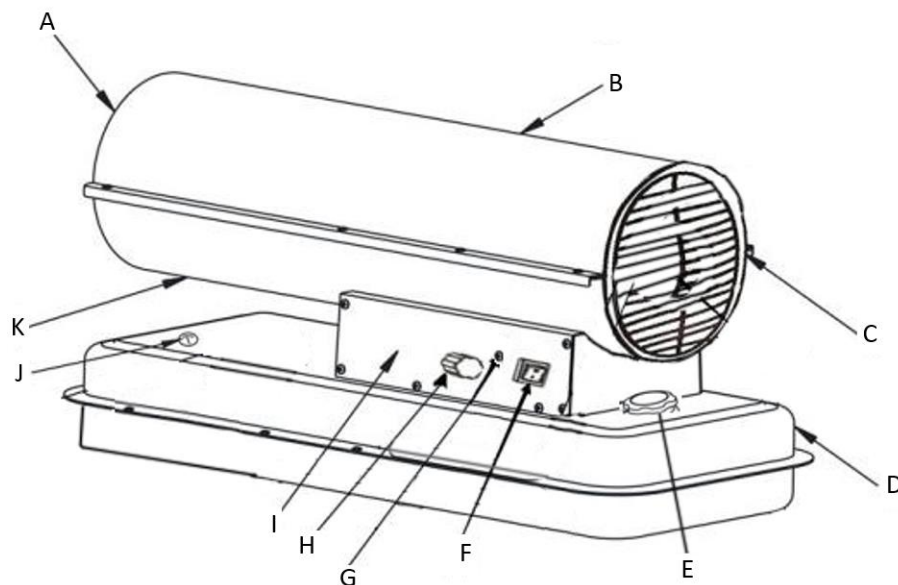
⚠ Ensure the ground surrounding the heater is not able to overheat – overheating may cause fire.

Contents

- 1 Front Cover
-
- 2 Safety Instructions
-
- 4 **Assembly Instructions**
-
- 4 **Ignition**
-
- 5 Diagrams
-
- 6 Trouble Shooting
-
- 7 Maintenance
-
- 7 Technical
-
- 8 Back Cover

End

Heater Overview



- | | |
|--------------------|----------------|
| A. Hot Air Outlet | I. Side Panel |
| B. Upper Shell | J. Fuel Gauge |
| C. Rear Handle | K. Lower Shell |
| D. Fuel Tank | |
| E. Fuel Cap | |
| F. Power Switch | |
| G. Display Window | |
| H. Thermostat Knob | |

Ignition

To ignite the heater, insert the plug into the socket, ensure the tank has sufficient fuel, set the power switch to position "1" and the indicator should light up. It will ignite automatically if the setting temperature is higher than the ambient temperature shown on the LED digital display.

Switching the power switch to position "0" will switch the heater off.

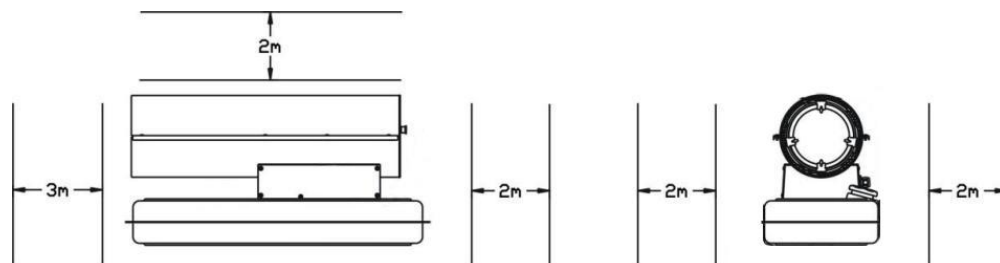
Contents

- 1 Front Cover
-
- 2 Safety Instructions
-
- 4 Assembly Instructions
-
- 4 Ignition
-
- 5 **Diagrams**
-
- 6 Trouble Shooting
-
- 7 Maintenance
-
- 7 Technical
-
- 8 Back Cover

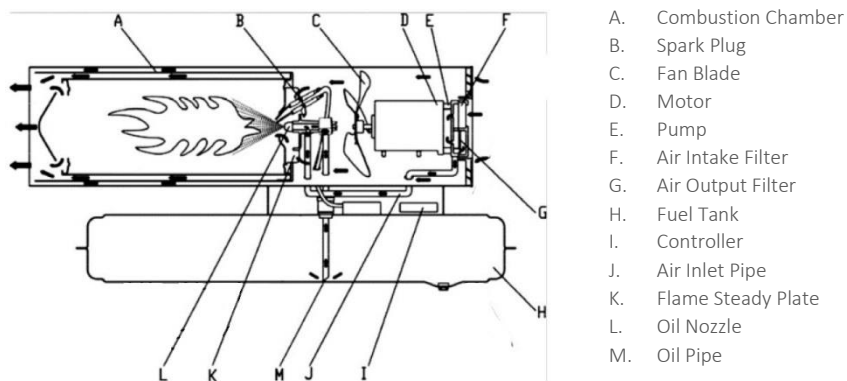
End

Safety Distance

(Whilst product operating)

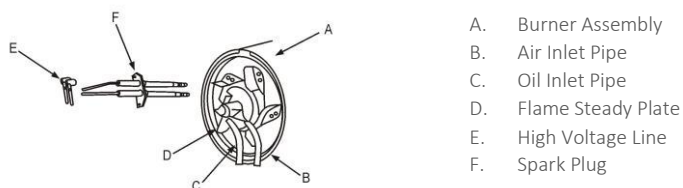


Internal Diagram

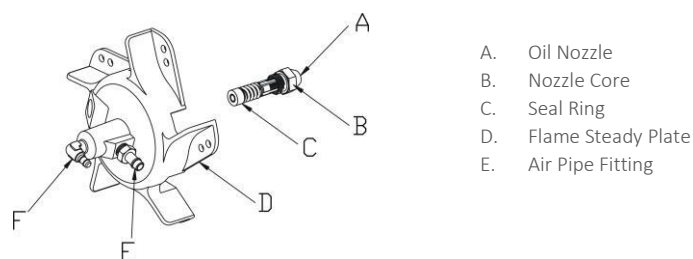


Heater Construction Diagrams

Burner Head



Oil Nozzle

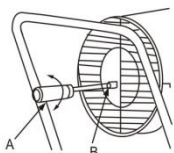


Contents

- 1 Front Cover
-
- 2 Safety Instructions
-
- 4 Assembly Instructions
-
- 4 Ignition
-
- 5 Diagrams
-
- 6 Trouble Shooting
-
- 7 Maintenance
-
- 7 Technical
-
- 8 Back Cover

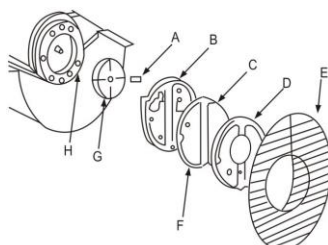
End

Pressure Adjustment



- A. Screwdriver
- B. Pressure Adjustment Screw

Air Pump



- A. Pump Blade
- B. Pump Cover
- C. Air Intake Filter
- D. Pressure Cover
- E. Air Inlet Guard
- F. Air Outlet Filter
- G. Pump Core
- H. Connecting Part
- I. Pressure Gauge

Troubleshooting

a) Not Faults

Problem	reason
Odor, smoke or spark omitted on the first use	This is normal. At the first use, there is air and dust mixed in the chamber. After a short while this will stop.
Strange sounds, odor, white smoke when igniting or heater out of fuel	Air is mixed in the pipe, the phenomenon will disappear when the air in the pipe was pressed out.
Strange sound while igniting or flame out	The metal parts of the heater expand and contract cause the noises. normal
Fire appears out of the outlet while igniting.	Fuel and air from the last use were left in the oil pipe of the nozzle, so the air and fuel are not properly mixed, the burning isn't continuous. Sparkle is caused by the resulting carbon powder, which is also normal

b) Potential Faults – checks only to be completed by a qualified technician

Problem	Possible reason	Solution
Heater stop working after running for a short time , E1 displayed on the screen	1. Pressure not correct 2. Inlet, outlet or the cotton of the air filter is dirty 3. Diesel filter is dirty 4. Fuel oil nozzle is dirty 5. Photocell lens is dirty 6. Incorrect installation of the photocell 7. Damage of the photocell 8. The abnormal connection between main PCB and the photocell .	1. Adjust the pump pressure 2. Clean or exchange a new air filter 3. Clean or exchange a new fuel filter 4. Clean or exchange a nozzle 5. Clean or exchange a new photocell 6. Adjust the position of the photocell 7. Exchange the photocell 8. Check the all electrical connection
The heater does not work, or motor stops working after a short time, E1 displayed on the screen .	1. Fuel exhausted 2. Pressure not correct 3. Spark plug or the air lock is corroded 4. Fuel filter is dirty 5. Fuel nozzle is dirty 6. Fuel and fuel tank is wet 7. The connection between PCB circuit and transformer is abnormal 8. The ignition pin and ignition transformer is not connected 9. Defective igniter	1. Fill the fuel tank 2. Adjust the pump pressure 3. Clean or exchange the spark plug 4. Clean and exchange fuel filter 5. Clean or exchange the nozzle 6. Rinse the fuel tank with fresh kerosene 7. Inspect all the electrical connection 8. Connect the ignition pin and the spark plug 9. exchange the igniter
LED display shows "E2"	Damage or fall off of the temperature probe	Exchange the temperature probe
Poor combustion /Too much smoke	1. outlet or the inlet cotton of the air filter is dirty 2. Fuel filter is dirty 3. Poor quality of fuel 4. Air pressure too high or too low	1. Clean or exchange Air inlet 2. Clean or exchange Fuel filter 3. Be sure fuel is not contaminated and old 4. Adjust air pressure
Heater cannot turn on and LED display shows "-"	1. The temperature sensor has overheated 2. PCB fuse is burnout 3. Temperature sensor is not well connected with the PCB panel	1. Turn off power switch and turn On The power 10 minutes later after the heater is cooled down . 2. check and replace the fuse 3. Check the all electrical connection .

Contents

1	Front Cover
-	
2	Safety Instructions
-	
4	Assembly Instructions
-	
4	Ignition
-	
5	Diagrams
-	
6	Trouble Shooting
-	
7	Maintenance
-	
7	Technical
-	
8	Back Cover

End

Maintenance

- Regularly wipe the enclosure using a soft sponge or cloth. For very dirty parts, use a sponge dampened by lukewarm water and a mild detergent, then dry using a clean cloth. **Never** perform this cleaning when the unit is operating or plugged in.
- Regularly inspect the power cable. If worn, cracked or damaged have it replaced by a technical service.
- Before storing the heater, make sure it is perfectly cool and dry. Cover the unit with a plastic bag, put in its packing box and store it in a dry, well-ventilated place.
- Clean only with a damp cloth. Do not use strong industrial cleaning substances or abrasive materials as these may damage the product. Make sure the product is switched off, unplugged from the socket and been left for an hour before cleaning, to remove the risk of electrical shock.
- Before starting any cleaning or maintenance task, shut down, unplug and let the heater cool down for at least an hour.
- Do not attempt any electrical repair yourself. If the heater needs service or repair, contact a qualified technician.
- When cleaning, take care to make sure that water does not enter the unit.
- Do not spray water into the heater.
- Do not open the enclosure to clean the inner parts.
- Never use solvents, gasoline, toluene or similar aggressive chemicals to clean the heater.

Technical

- Voltage Frequency: 220-240V, 50Hz
- Fuel Consumption: 1.43kg/hr
- Power: 20kw
- Air output: 600m³/hr
- Oil tank: 18L

Contents

- 1 Front Cover
-
- 2 Safety Instructions
-
- 4 Assembly Instructions
-
- 4 Ignition
-
- 5 Diagrams
-
- 6 Trouble Shooting
-
- 7 Maintenance
-
- 7 Technical
-
- 8 **Back Cover**

End



HAVE A QUESTION ABOUT YOUR PURCHASE?

Our dedicated customer services team are happy to help. Contact them via:

Telephone: 020 3600 22 55
 Email: cservice@oypla.com
 Live Chat: WWW.OYPLA.COM

CONSIDER THE ENVIRONMENT!

In the United Kingdom, approximately 5 billion corrugated boxes are used per year, amounting to around 83 per person! By recycling the cardboard box in which this product was packed, you contribute to the preservation and sustainability of the environment.

If you see a recycling logo on the packaging of your product, such as the below examples, that piece of packaging is recyclable. If there is not a recycling logo, please check with your local authorities before recycling.



PLEASE RETAIN A COPY OF THESE INSTRUCTIONS FOR FUTURE CONSULTATION

OYPLA.COM

AN OFFICIAL OYPLA BRANDED PRODUCT

ENVIRONMENTAL PROTECTION

Products bearing the symbol shown below means that used electrical and electronic equipment (WEEE) should not be mixed with general household waste. For proper treatment, recovery and recycling, please take this product(s) to designated collection points where it will be accepted free of charge. Disposing of this product correctly will help save valuable resources and prevent any potential negative effects on human health and the environment, which could otherwise arise from inappropriate waste handling. Please contact your local authority for further details of your nearest designated collection point. Penalties may be applicable for incorrect disposal of this waste, in accordance with your national legislation.



Model Code: **4714**

OYPLA

Imported by Oypla.com LLP, Uxbridge, UB8 2FX

Oypla.com LLP / www.oypla.com