

LEISURE

THANK YOU FOR YOUR ORDER

Contents

- 1 **Front Cover**
-
- 2 Safety
Instructions
-
- 3 Unfolding
Instructions
-
- 4 Back Cover

End



5ft Trestle Table

Contents

1	Front Cover
-	-
2	Safety Instructions
-	-
3	Unfolding Instructions
-	-
4	Back Cover
	End


Safety Instructions


Notice: Ensure you read and fully understand instructions before use

While every attempt is made to ensure the highest degree of protection in all equipment, we cannot guarantee freedom from injury. The user assumes all risk of injury due to use. All merchandise is sold on this condition, which no representative of the company can waive or change.

- This product is not a toy, and is only to be used for its designated purpose.
- Do not carry out alterations or modifications to this product.
- Do not exceed the maximum weight limit of 100kg
- Before using the product, make sure all fastenings are tightly in place and that everything is in order, and checked periodically by an adult.
- Keep fingers, loose clothing, and hair away when folding the product.
- When using the product outside, be sure to only place it on dry, stable ground.
- DO NOT sit or jump on the table
- Leaving the product exposed to weather, especially direct sun, rain and salt air, will speed the weathering process. This can be slowed by removing the product from these conditions, or covering it with a suitable cover.
- Clean only with a damp cloth. Do not use strong industrial cleaning substances or abrasive materials as these will damage the look of the product.
- Children should be supervised at all times when around and using this product.
- If the product is damaged or has any defects, please contact cservice@oypla.com.

Warnings

 The maximum weight of this product is 100kg. Do NOT exceed this amount as it may lead to personal injury and/or product

 When folding the product, ensure fingers, loose clothing and hair are away from the product. Failure to do so may result in

Contents

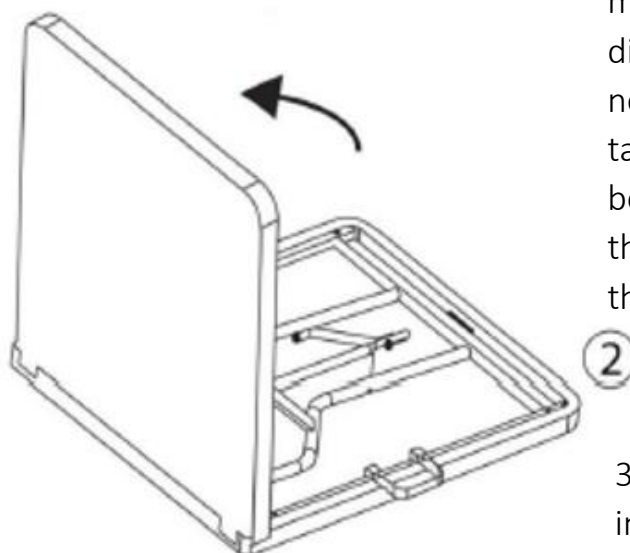
- 1 Front Cover
-
- 2 Safety Instructions
-
- 3 Unfolding Instructions**
-
- 4 Back Cover

End

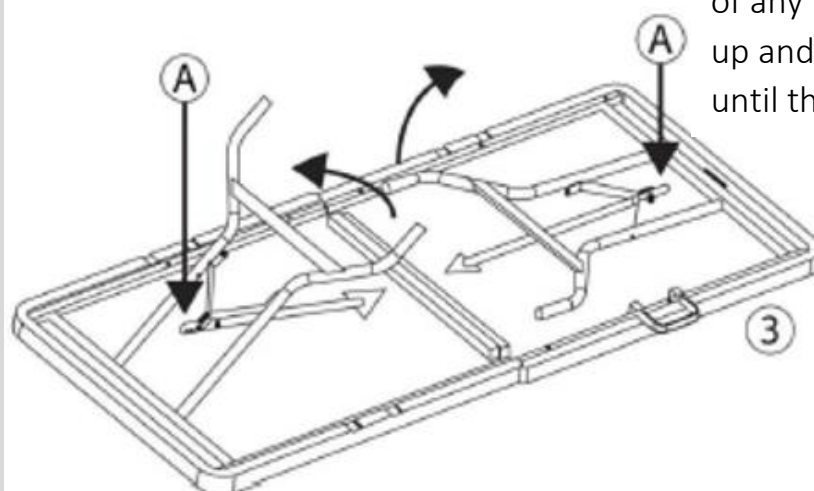
Unfolding Instructions



1. Lightly place the table onto a flat surface. Make sure the surface is not rough or sharp, because this may result in damage and defect to the table.



2. Find the opening point marked as A on the diagram. Force may be needed to pull apart the table on first use as it can be stiff. Once open lay the table flat as shown in the diagram below.

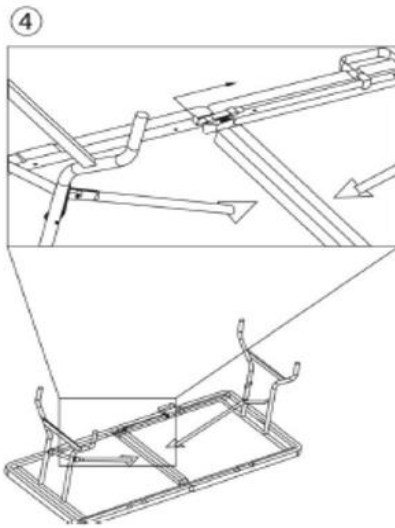


3. Slowly lift up the legs into a 90-degree position, ensuring the joints marked A are clear of any items. Then push up and down on joints until they are straight.

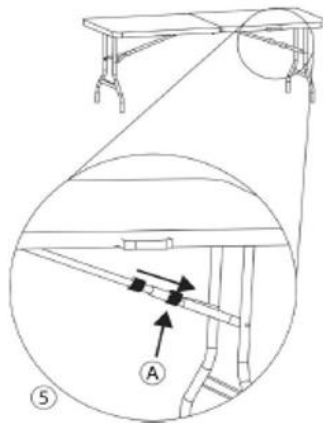
Contents

- 1 Front Cover
-
- 2 Safety Instructions
-
- 3 Unfolding Instructions
-
- 4 **Back Cover**

End



4. Use the tables locking system to secure the table into place. Please see image 4 to locate locking mechanism.



5. Carefully flip the table over and slide both locks over joint A to secure both legs in place.

Your new table is now ready to be used!

HAVE A QUESTION ABOUT YOUR PURCHASE?

Our dedicated customer services team are happy to help. Contact them via:

Telephone: 020 3600 22 55
Email: cservice@oypla.com
Live Chat: WWW.OYPLA.COM

CONSIDER THE ENVIRONMENT!

In the United Kingdom, approximately 5 billion corrugated boxes are used per year, amounting to around 83 per person! By recycling the cardboard box in which this product was packed, you contribute to the preservation and sustainability of the environment.

If you see a recycling logo on the packaging of your product, such as the below examples, that piece of packaging is recyclable. If there is not a recycling logo, please check with your local authorities before recycling.



PLEASE RETAIN A COPY OF THESE INSTRUCTIONS FOR FUTURE CONSULTATION

OYPLA.COM

AN OFFICIAL OYPLA BRANDED PRODUCT

Imported by Oypla.com LLP, Uxbridge, UB8 2FX

Model Code: 4673

Oypla.com LLP / www.oypla.com