

LEISURE

THANK YOU FOR YOUR ORDER

Contents

- 1 **Front Cover**
-
- 2 **Safety Instructions**
-
- 2 **Operating Instructions**
-
- 3 **Back Cover**

End



6ft Rattan Trestle Table

Contents

1	Front Cover
-	
2	Safety Instructions
-	
2	Operating Instructions
-	
3	Back Cover

End

Safety Instructions

Notice: Ensure you read and fully understand instructions before use

While every attempt is made to ensure the highest degree of protection in all equipment, we cannot guarantee freedom from injury. The user assumes all risk of injury due to use. All merchandise is sold on this condition, which no representative of the company can waive or change.

- Make sure all fastenings are tightly in place and that everything is in order before using the product. This should be checked periodically by an adult.
- This product is not a toy, and is only to be used for its designated purpose.
- Do not carry out alterations or modifications to this product.
- Clean only using a damp cloth. Do not use strong industrial cleaning substances, as these may damage the product.
- Leaving the product outside exposed to weather, especially direct sun and rain, will speed the weathering process. This can be slowed by removing the product from these conditions, or covering it with a suitable cover.
- Keep fingers, loose clothing and hair away when folding/unfolding the product.
- Do not sit or jump on the table at any time.
- Do not overload the table at any time.
- Children should be supervised at all times when around and using this product.
- Only use this product on stable, level and dry ground.
- Make sure all table legs are secure before placing any weight on the table top.
- If your product is damaged or has any defects, please contact cservice@oypla.com

Warning

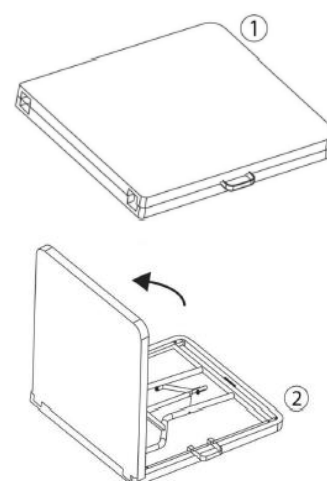


The maximum weight capacity of the table top is 100kg.

Operating Instructions

Please refer to the diagram below for instructions on how to operate your product.

- 1 Lightly place the table onto a flat surface. Make sure the surface is not rough or sharp, as this may result in damaging the table top.
- 2 Find the opening point along the side of the table. Force may be required to unfold the table, as it can be stiff upon first use. Once open, lay the table flat like the third diagram shows.

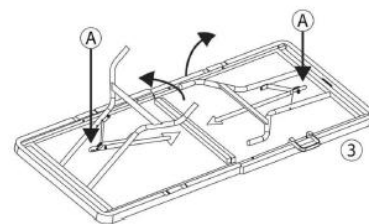


Contents

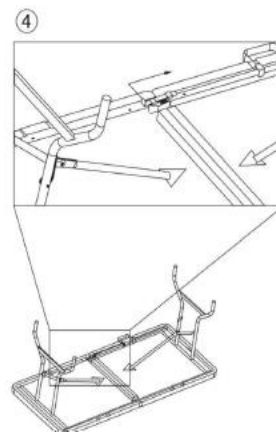
- 1 Front Cover
-
- 2 Safety Instructions
-
- 2 Operating Instructions
-
- 3 Back Cover

End

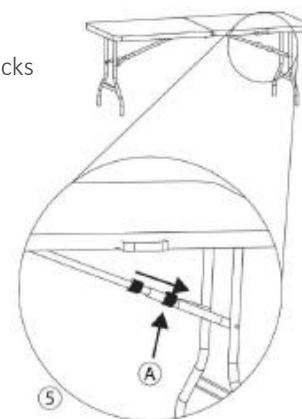
- 3** Slowly lift the legs up into a 90-degree angle.



- 4** Use the locking system to secure the table into place. See the image to the left to locate the locking mechanism.



- 5** Carefully flip the table over. Then, slide both locks over joint A to secure both legs into place.



HAVE A QUESTION ABOUT YOUR PURCHASE?

Our dedicated customer services team are happy to help.

- Telephone: 020 3600 22 55
- Email: cservice@oypla.com
- Live Chat: www.oypla.com

PLEASE RETAIN A COPY OF THESE INSTRUCTIONS FOR FUTURE CONSULTATION

OYPLA.COM

An Official OYPLA Branded Product