



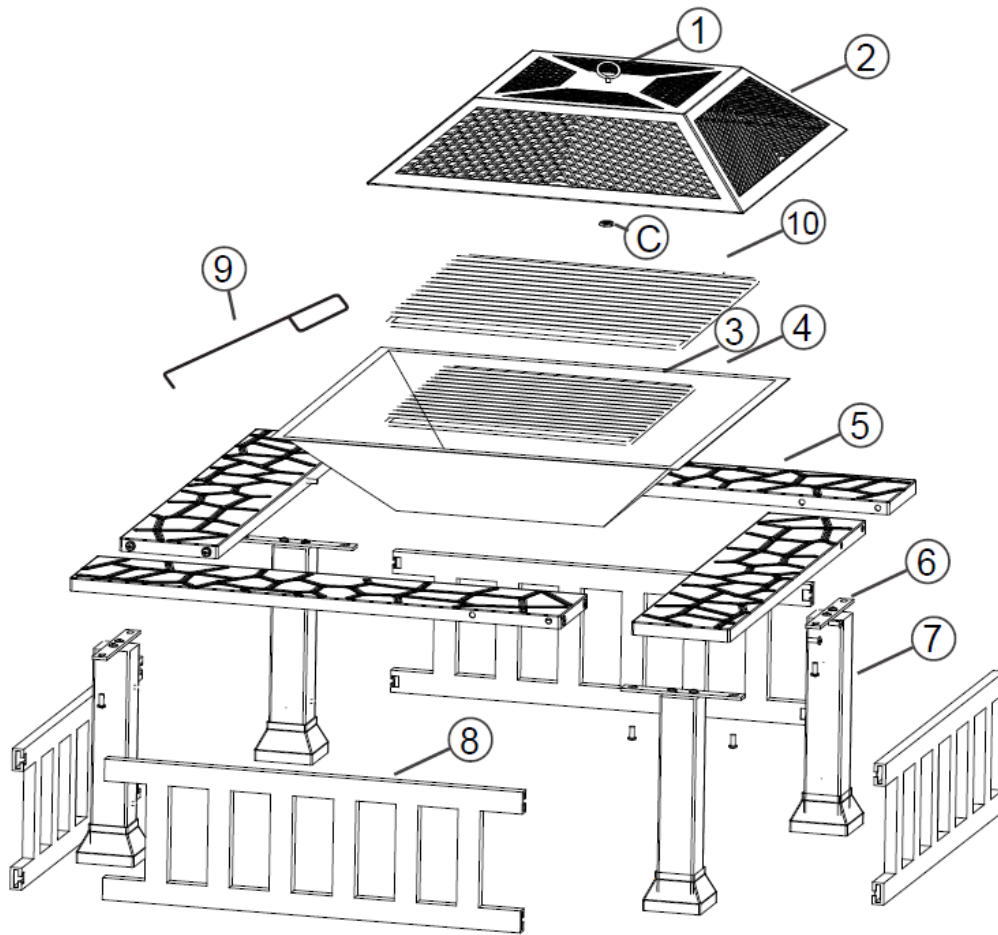
Square Firepit

Assembly Instructions

Notice: Ensure you read and fully understand instructions before use

While every attempt is made to ensure the highest degree of protection in all equipment, we cannot guarantee freedom from injury. The user assumes all risk of injury due to use. All merchandise is sold on this condition, which no representative of the company can waive or change.

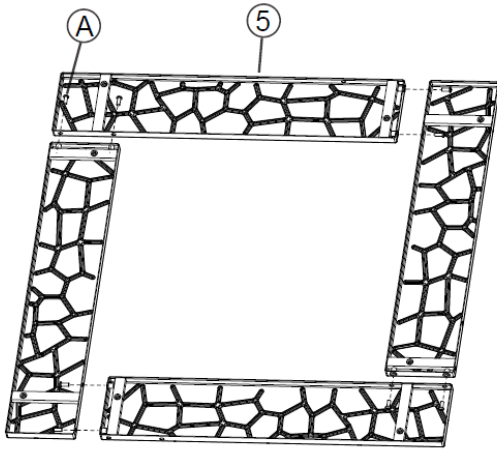
- Make sure all fastenings are tightly in place and that everything is in order before using the product. This should be checked periodically by an adult.
- This product is intended for outdoor use only.
- Only use this product away from wooden fences, overhanging trees or other flammable objects.
- Only use this product on firm, level ground.
- After lighting, do not leave the product unattended.
- Keep animals and children away from the product during use.
- Do not move the product once it has been lit.
- Do not attempt to use this product in enclosed areas.
- Once it is lit, the grill and the surrounding surfaces will become very hot. Use proper outdoor cooking mitts and avoid skin contact with all hot metal surfaces on the grill.
- If the product is damaged or has any defects, please contact cservice@oypla.com.



PARTS LIST

Part No.	Description	Quantity	Part No.	Description	Quantity
1	Cover handle	1	7	Leg	4
2	Cover	1	8	Rail	4
3	Grate	1	9	Poker	4
4	Fire bowl	1	10	Cooking grid	4
5	Table panel	4	A	M6*12 Screw	8
6	Leg connector	4	B	M6*12 Shoulder Screw	8
C	M6 Nut	1	D	M6*16 Screw	8

Step 1

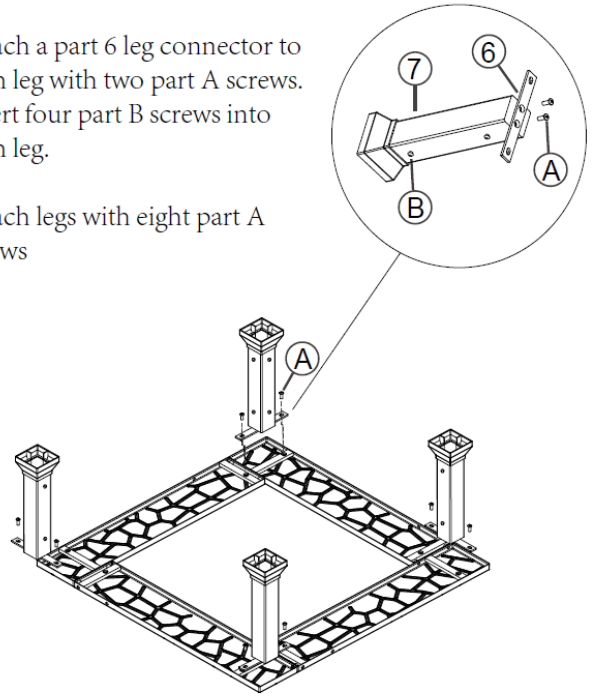


Assemble the frame with eight part A screws

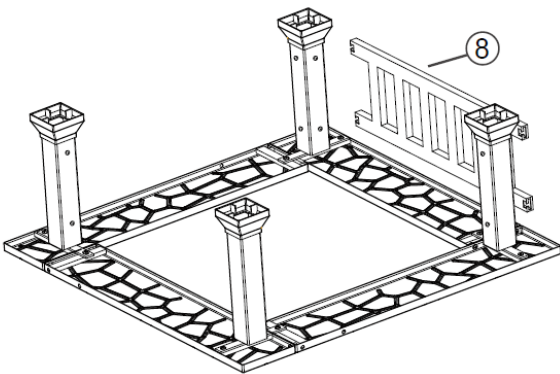
Step 2

Attach a part 6 leg connector to each leg with two part A screws. Insert four part B screws into each leg.

Attach legs with eight part A screws

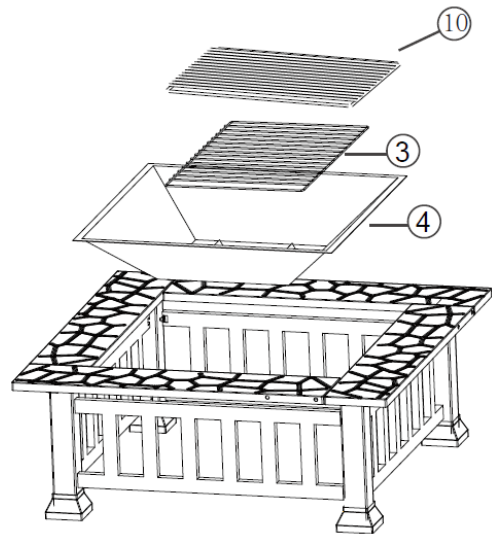


Step 3



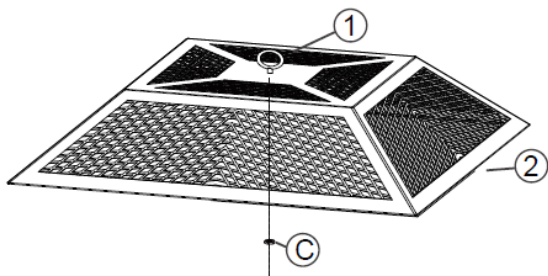
Attach four part 8 rails.

Step 4



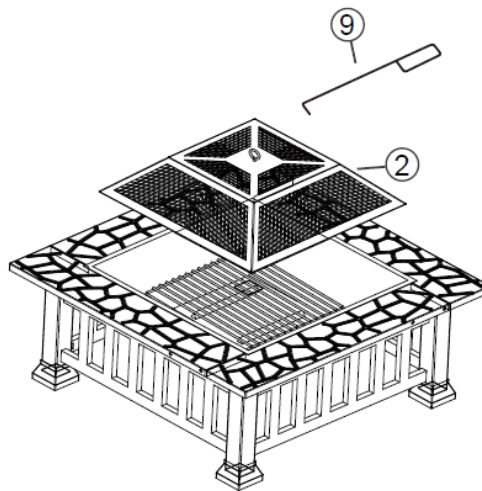
Place part 4 fire bowl, part 3 log grate part 10 cooking grid.

Step 5



Attach part 1 cover handle
with part C nut.

Step 6



Place part 2 cover.

HAVE A QUESTION ABOUT YOUR PURCHASE?

OUR DEDICATED CUSTOMER SERVICES TEAM ARE HAPPY TO HELP
CONTACT THEM VIA:

TELEPHONE: 020 3600 2255

EMAIL: cservice@oypla.com

LIVE CHAT: www.oypla.com

PLEASE RETAIN A COPY OF THESE INSTRUCTIONS FOR FUTURE CONSULTATION

OYPLA.COM

An Official OYPLA Branded Product

Imported by Oypla.com LLP, Uxbridge, UB8 2FX

USER MANUAL Model No: 4661