

OYPLA™

HOME

THANK YOU FOR YOUR ORDER



# Door Canopy

USER MANUAL Model No: 4658, 4659

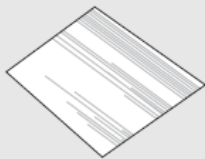






# Safety Instructions

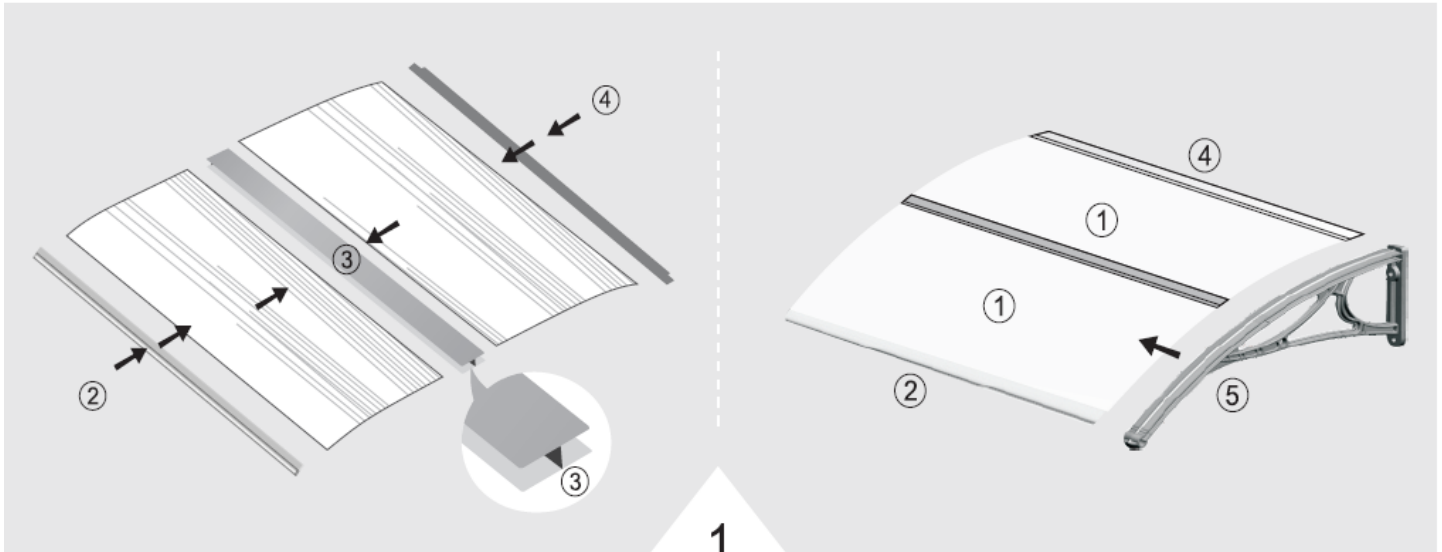
**Notice: Please read all instructions carefully before using this product.**

- Unpacking, installing and fixing the parts are to be completed by an adult.
- This product is not a toy, and is only to be used for its designated purpose.
- Do not attempt to assemble the product in windy and/or wet conditions.
- Do not carry out alterations or modifications to this product.
- Do not attempt to assemble the product if you are tired, have taken drugs, medication or alcohol, or if you are prone to dizzy spells.
- Ensure that there are no hidden pipes or cables in the wall before drilling.
- Clean only with a damp cloth. Do not use strong industrial cleaning substances
- Do not discard any of the packaging until you have checked that you have all of the parts and fitting required.
- Keep away from fire.
- If the product is damaged or has any defects, please contact [cservice@oypla.com](mailto:cservice@oypla.com)

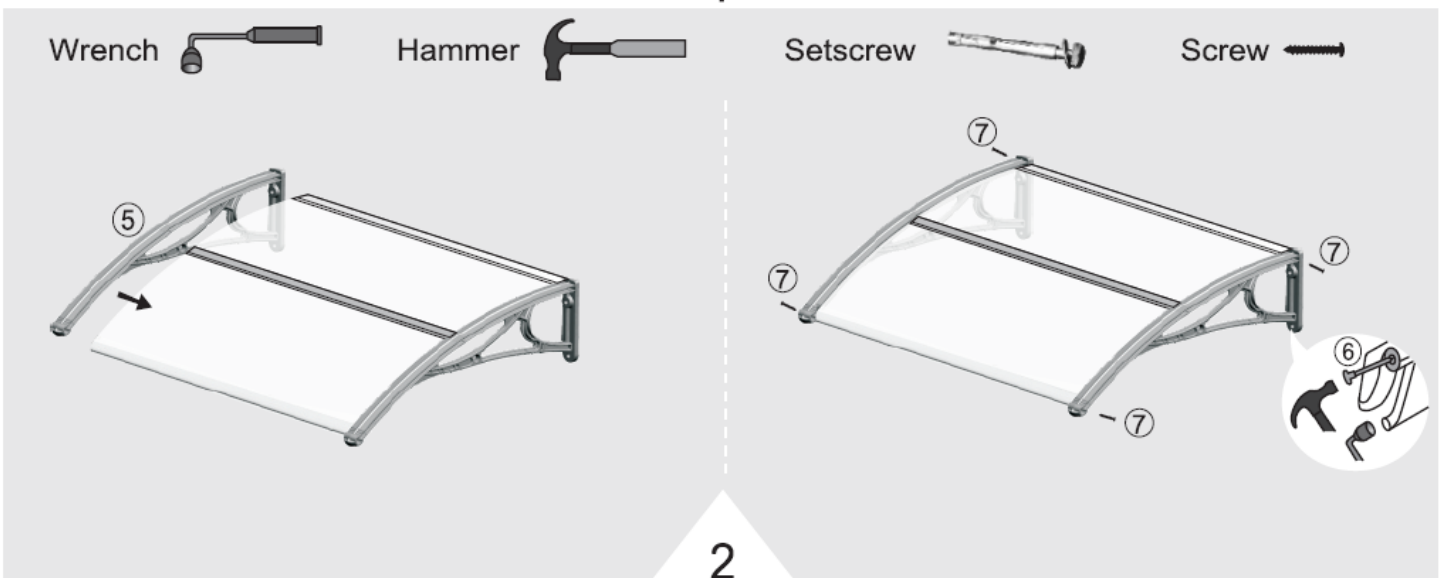
# Assembly Instructions

**Parts List:** Wrench size required – 14mm  
Drill size – PH2

	Drawing	Quantity	Description		Drawing	Quantity	Description
1		2	Board	4		1	Back Aluminium Fixing bar
2		1	Front Aluminium Fixing bar	5		2	Bracket
3		1	H Type Aluminium Fixing bar	6		4	Setscrew
				7		4	Screw



1



2

**HAVE A QUESTION ABOUT YOUR PURCHASE?**

OUR DEDICATED CUSTOMER SERVICES TEAM ARE HAPPY TO HELP  
CONTACT THEM VIA:

TELEPHONE: 020 3600 2255  
EMAIL: [cservice@oypla.com](mailto:cservice@oypla.com)  
LIVE CHAT: [www.oypla.com](http://www.oypla.com)

PLEASE RETAIN A COPY OF THESE INSTRUCTIONS FOR FUTURE CONSULTATION

**OYPLA.COM**

An Official OYPLA Branded Product

Imported by Oypla.com LLP, Uxbridge, UB8 2FX

**USER MANUAL Model No: 4658, 4659**