



Heavy Duty Dog Grooming Table

Safety Instructions

Notice: Ensure you read and fully understand instructions before use

While every attempt is made to ensure the highest degree of protection in all equipment, we cannot guarantee freedom from injury. The user assumes all risk of injury due to use. All merchandise is sold on this condition, which no representative of the company can waive or change.

- This product is not a toy, and is only to be used for its designated purpose.
- Never carry out any alterations or modifications to this product.
- This product is intended for indoor use only.
- Before using the product, make sure all fastenings are tightly in place and that everything is in order, and checked periodically by an adult.
- Always make sure that the product is on stable ground when in use.
- Make sure that the grooming arm is securely held in place when in use.
- Keep fingers, loose clothing, and hair away when folding the product.
- Clean only with a damp cloth. Do not use strong industrial cleaning substances or abrasive materials as these will damage the product.
- Use the correct fixings as indicated.
- Do not discard any of the packaging until you have checked that you have all of the parts and fittings required.
- If the product is damaged or has any defects, please contact cservice@oypla.com

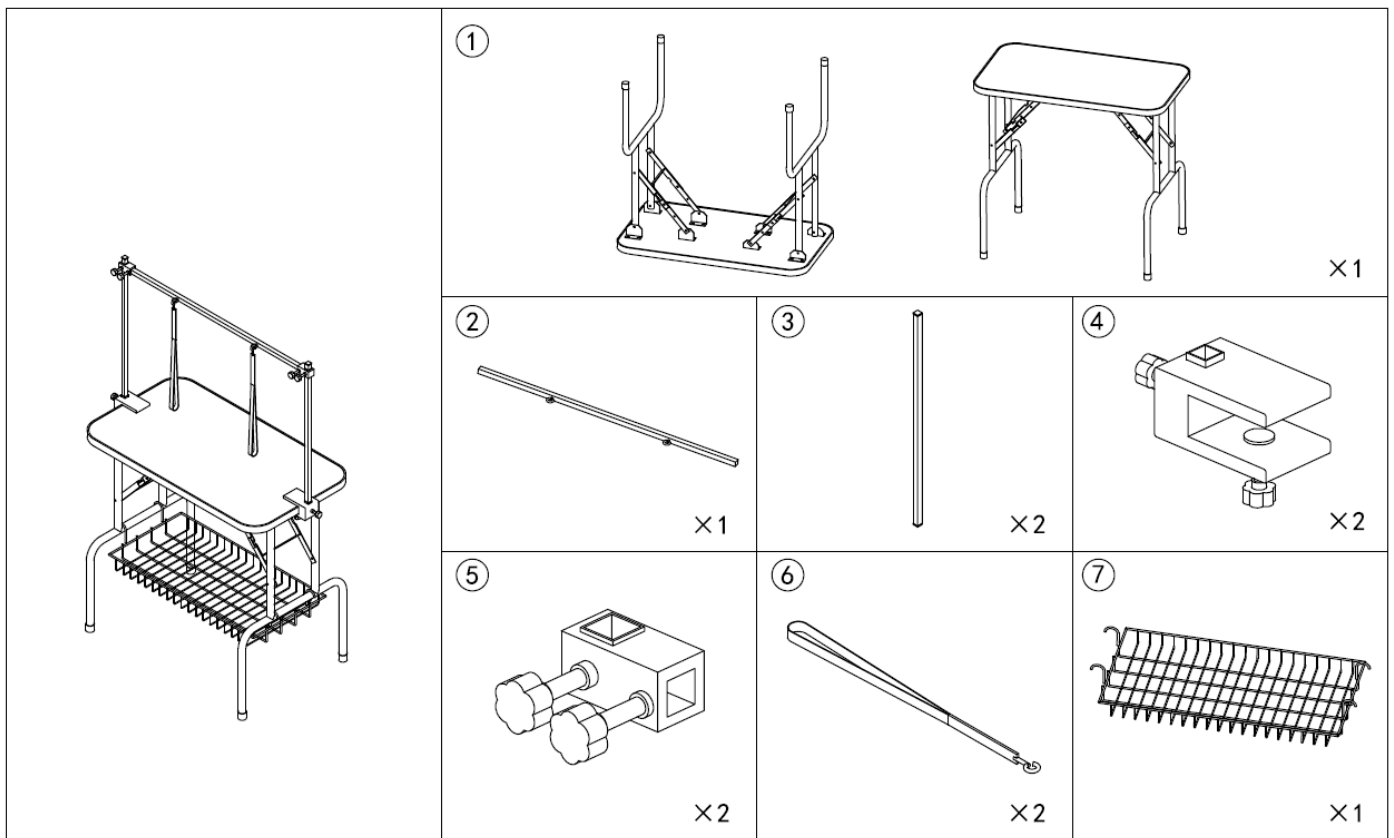
**DO NOT EXCEED THE MAXIMUM WEIGHT OF 120KG. THIS
COULD RESULT IN PRODUCT FAILURE OR PERSONAL INJURY.**

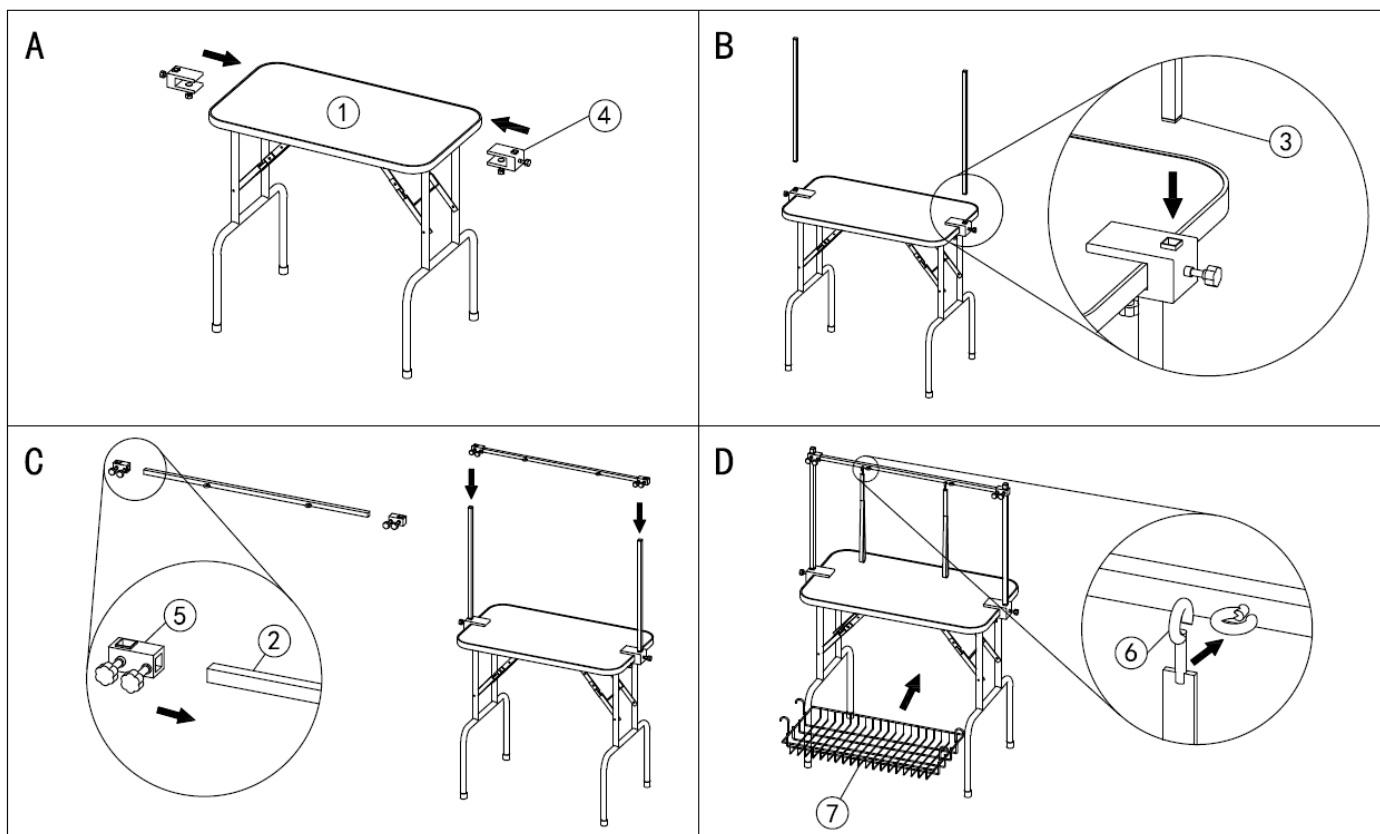
Assembly Instructions

Parts List:

If you are missing any of the below parts please contact cservice@oypla.com

Please be aware that you will be referring to this parts list throughout the assembly process.





HAVE A QUESTION ABOUT YOUR PURCHASE?

OUR DEDICATED CUSTOMER SERVICES TEAM ARE HAPPY TO HELP
CONTACT THEM VIA:

TELEPHONE: 020 3600 2255

EMAIL: cservice@oypla.com

LIVE CHAT: www.oypla.com

PLEASE RETAIN A COPY OF THESE INSTRUCTIONS FOR FUTURE CONSULTATION

OYPLA.COM

An Official OYPLA Branded Product

Imported by Oypla.com LLP, Uxbridge, UB8 2FX

USER MANUAL Model No: 4646