

DIY

THANK YOU FOR YOUR ORDER

Contents

- 1 Front Cover
-
- 2 Safety Instructions
-
- 3/4 Assembly Instructions
-
- 5 Back Cover

End



Garage Stool

Contents

1	Front Cover
-	-
2	Safety Instructions
-	-
3/4	Assembly Instructions
-	-
5	Back Cover

End

Safety Instructions

Notice: Ensure you read and fully understand instructions before use

While every attempt is made to ensure the highest degree of protection in all equipment, we cannot guarantee freedom from injury. The user assumes all risk of injury due to use. All merchandise is sold on this condition, which no representative of the company can waive or change.

- This product is not a toy, and is only to be used for its designated purpose.
- Never carry out any alterations or modifications to this product.
- Only use this product on stable, level and dry ground.
- Always keep your hands and feet away from the immediate working area.
- Before using the product, make sure all fastenings are tightly in place and that everything is in order, and checked periodically.
- Leaving this product outside exposed to weather, especially direct sun, rain and salt air, will speed with the weathering process. This can be slowed by removing the product from these conditions, or covering it with a suitable cover.
- When not in use the lift must be stored in the lowest position in a dry location.
- This product is not intended for use by persons (including children) with reduced physical, sensory and mental capacities, or lack of experience and knowledge, unless they have been given supervision or instruction concerning use of the product by persons responsible for their safety.
- Clean only with a damp cloth. Do not use strong industrial cleaning substances or abrasive materials as these will damage the product. Do this regularly to keep the product clean of any oil or grease.
- If the product is damaged or has any defects, please contact cservice@oypla.com.

Contents

1	Front Cover
-	-
2	Safety Instructions
-	-
3/4	Assembly Instructions
-	-
5	Back Cover

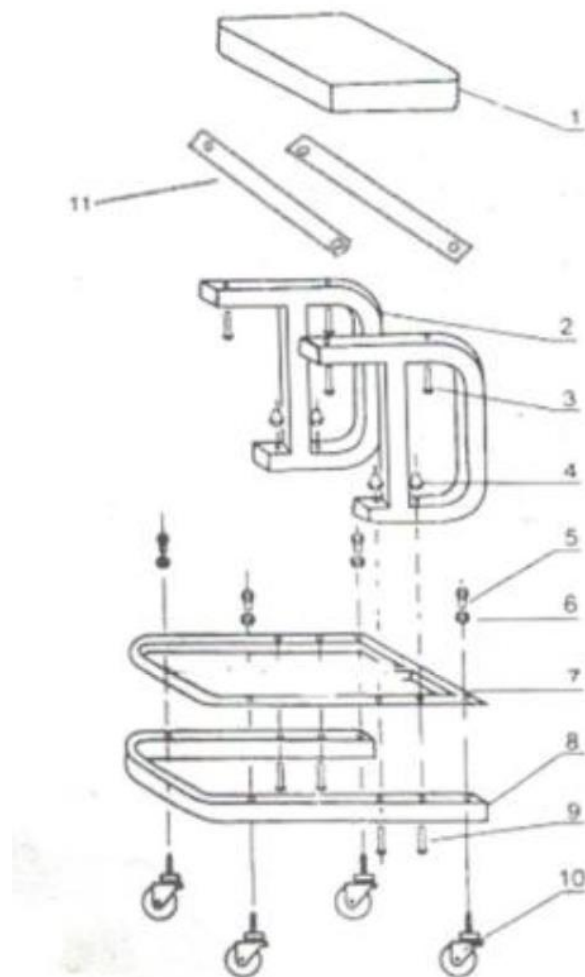
End

Assembly Instructions

Parts List:

- If you are missing any of the below parts, please contact cservice@oypla.com
- Please be aware that you will be referring to this parts list throughout the assembly process.

Item No.	Description	Quantity
1	Seat	1
2	Steel Frame	2
3	Screw for Seat	2
4	Nut for Saddle	4
5	Nut for Wheel	4
6	Washer	4
7	Plastic Saddle	1
8	Steel Unit	1
9	Screw for Saddle	4
10	Rear Caster Wheel	4
11	Trasome	2



Contents

- 1 Front Cover
-
- 2 Safety Instructions
-
- 3/4 Assembly Instructions
-
- 5 Back Cover

End

1) Firstly, as seen on the diagram on the previous page, push the plastic saddle (7) onto the steel unit (8) ensuring the holes align. Now take 1 steel frame (2) and secure it to the plastic saddle and steel unit, using 2 large screws (9), nuts (4) and washers (6). Please ensure screws are fully tightened and see pictures below for help. Repeat on the other side with the remaining steel frame.



2) Next, attach the seat (1) to the top of the steel frames (2). Secure in place with the 2 remaining screws (3), located on the underside of the seat. You should require allen key for this step. Please see pictures to help. Red arrows show where the screws should go.



Contents

- 1 Front Cover
-
- 2 Safety Instructions
-
- 3/4 Assembly Instructions
-
- 5 Back Cover

End

3) Lastly, take 1 nut for the wheel **(5)** and 1 wheel **(10)**. As seen on the image, the nut is at the top and the wheel is at the bottom. Feed the wheel through the pre-drilled hole and secure in place using the nut. Ensure tightly fixed, then repeat with the remaining 3 wheels and nuts until the stool is fully assembled. An allen key again may be required.



HAVE A QUESTION ABOUT YOUR PURCHASE?

Our dedicated customer services team are happy to help. Contact them via:

Telephone: 020 3600 22 55
Email: cservice@oypla.com
Live Chat: WWW.OYPLA.COM

CONSIDER THE ENVIRONMENT!

In the United Kingdom, approximately 5 billion corrugated boxes are used per year, amounting to around 83 per person! By recycling the cardboard box in which this product was packed, you contribute to the preservation and sustainability of the environment.

If you see a recycling logo on the packaging of your product, such as the below examples, that piece of packaging is recyclable. If there is not a recycling logo, please check with your local authorities before recycling.



PLEASE RETAIN A COPY OF THESE INSTRUCTIONS FOR FUTURE CONSULTATION

OYPLA.COM

AN OFFICIAL OYPLA BRANDED PRODUCT