



# Industrial Clothes Rail

# Safety Instructions

**Notice: Ensure you read and fully understand instructions before use**

While every attempt is made to ensure the highest degree of protection in all equipment, we cannot guarantee freedom from injury. The user assumes all risk of injury due to use. All merchandise is sold on this condition, which no representative of the company can waive or change.

- This product contains small parts that could be a choking hazard if swallowed. Keep these items away from children.
- Make sure all fastenings are tightly in place and that everything is in order before using the product. This should be checked periodically by an adult.
- This product is not a toy, and is only to be used for its designated purpose.
- Clean only with a damp cloth. Do not use strong industrial cleaning substances.
- Leaving the product outside exposed to weather, especially direct sun and rain, will speed the weathering process. This can be slowed by removing the product from these conditions.
- Children should not use this product at any time.
- Do not overload the product.
- Weight capacity 90KG.
- Assembly should be completed by a responsible adult.
- Never swing or hang on the garment rail.
- Only use this product on stable, level and dry ground.
- If any parts are missing or damaged, please contact [cservice@oypla.com](mailto:cservice@oypla.com)

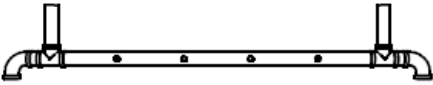
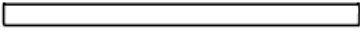

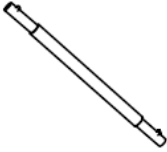



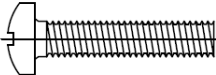
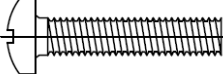
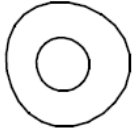
# Assembly Instructions

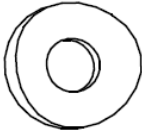


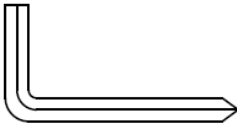
## Parts List:

Please check you have all parts below before attempting to assemble this product.

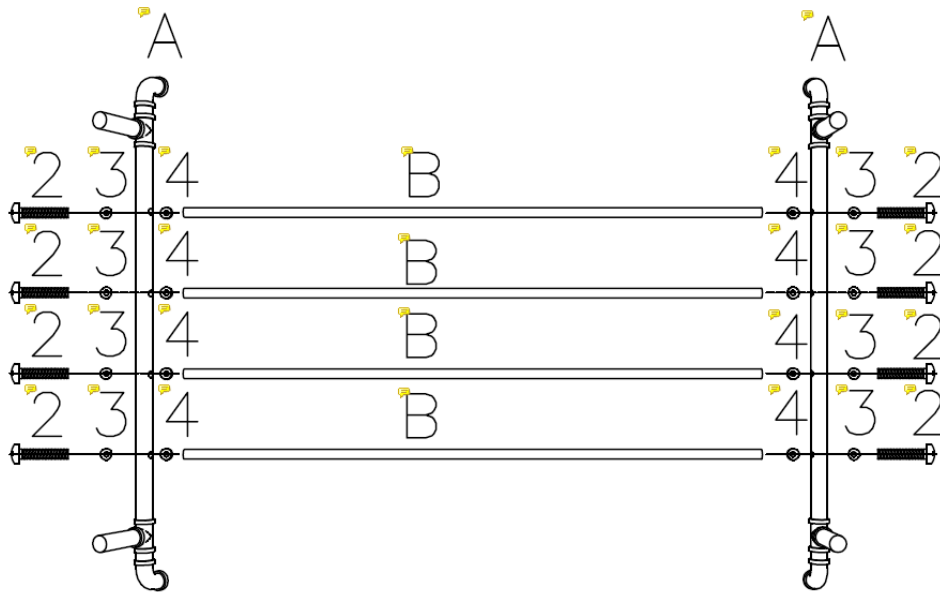
If you are missing any of the below parts, please contact Oypla customer services:

[cservice@oypla.com](mailto:cservice@oypla.com)





Part	Photo	Quantity
A		2
B		4
C		4
D		2
E		2
F		2
G		2
1 (M8*40)		4
2 (M6*30)		12
3		8

4		8
5		2
6 (brakes)		2
7		1

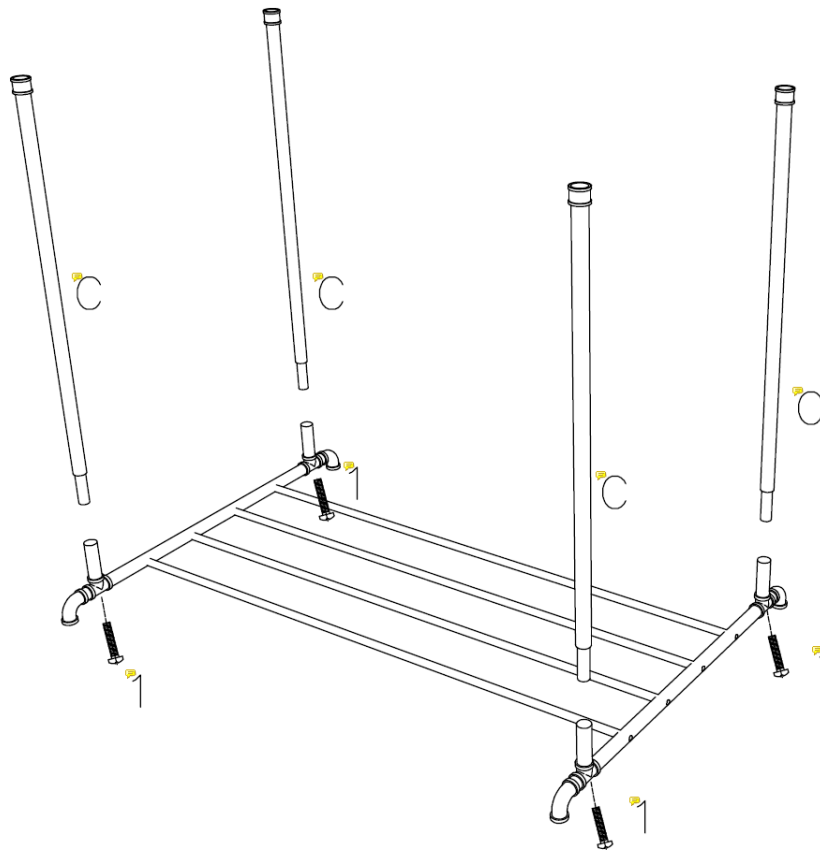
1)





Parts Needed:

<p>2</p>  <p>M6*30 X 8</p>	<p>3</p>  <p>X 8</p>	<p>4</p>  <p>X 8</p>	<p>7</p>  <p>X 8</p>
---	---	---	---

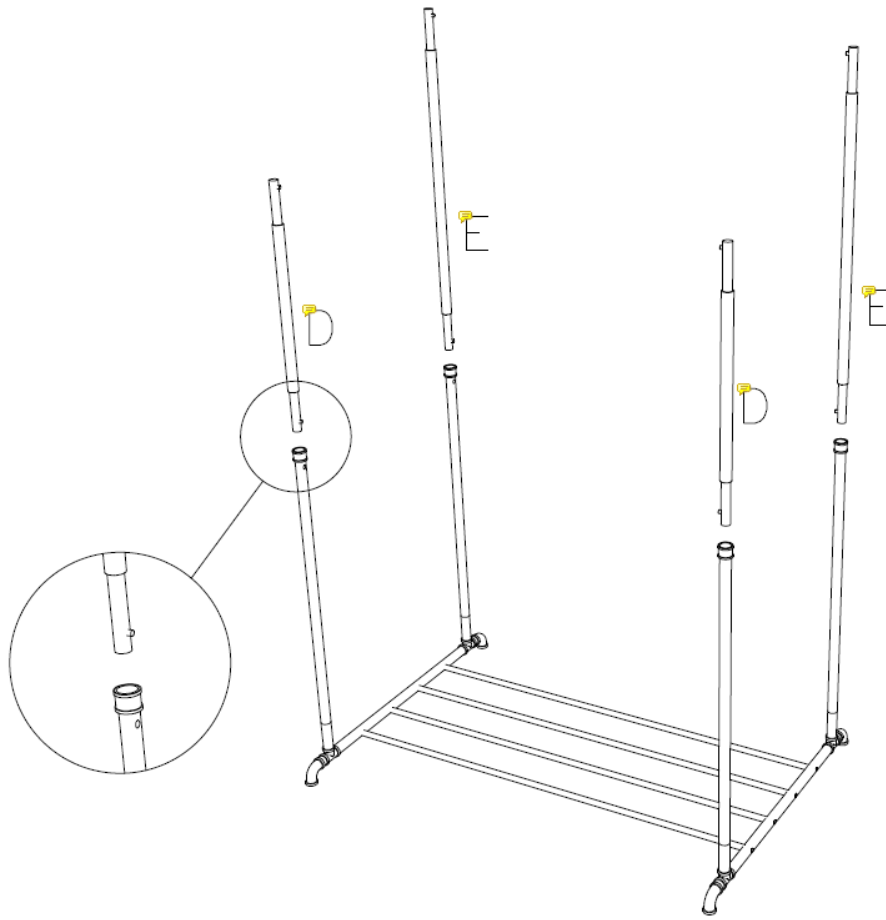
2)



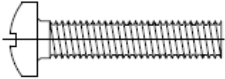

*Parts Needed:*

<p>1</p>  <p>M8*40</p> <p>X 4</p>	<p>7</p> 
--	---

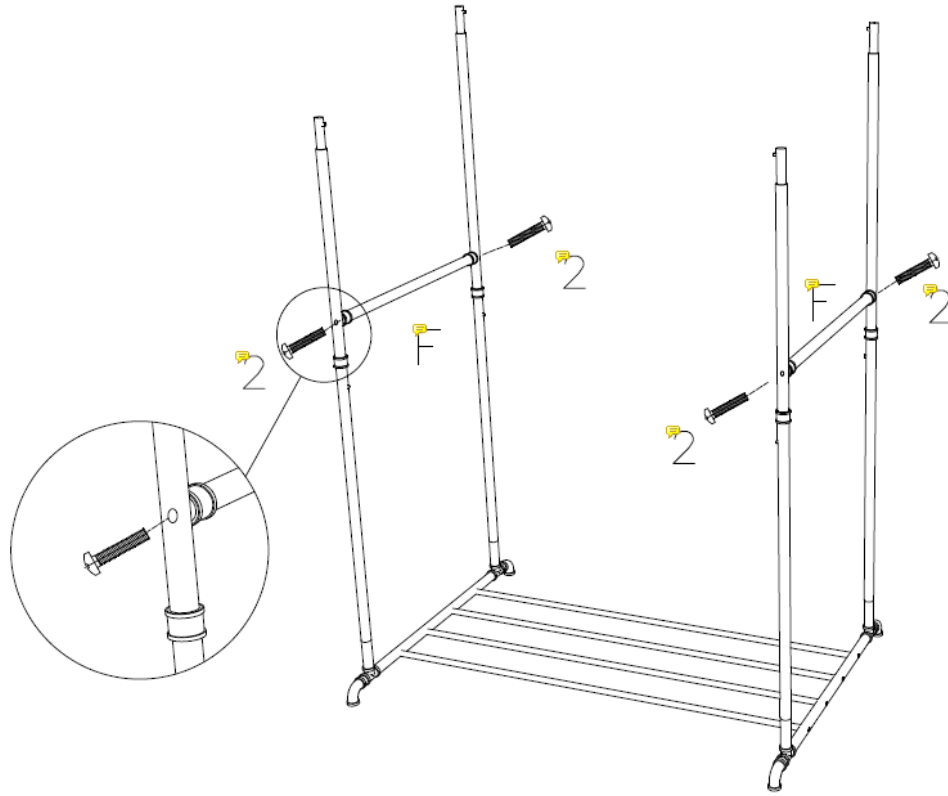
3)





*Parts Needed:*

<p>2</p>  <p>M6*30</p> <p>X 4</p>	<p>7</p> 
--	--

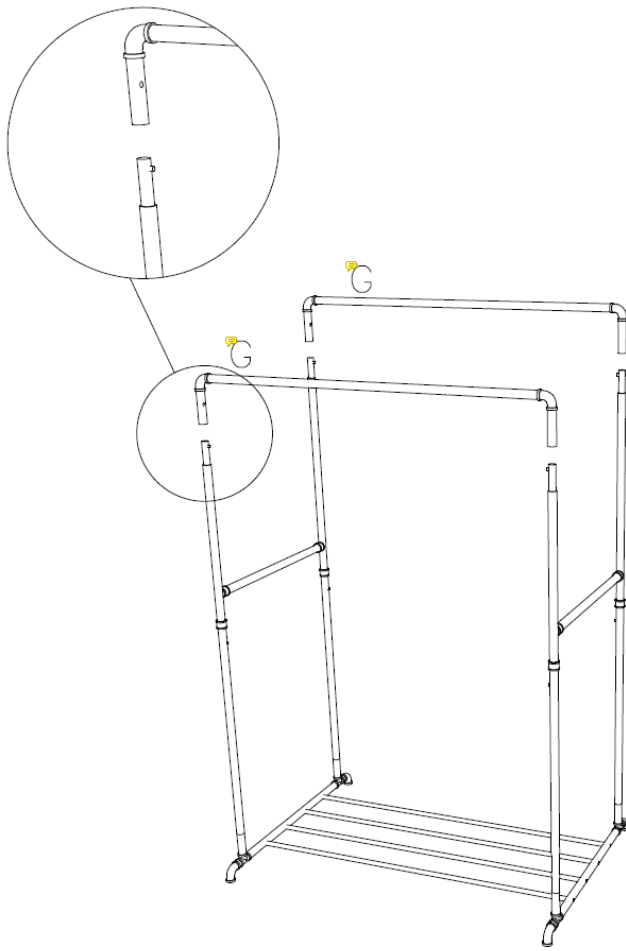
4)



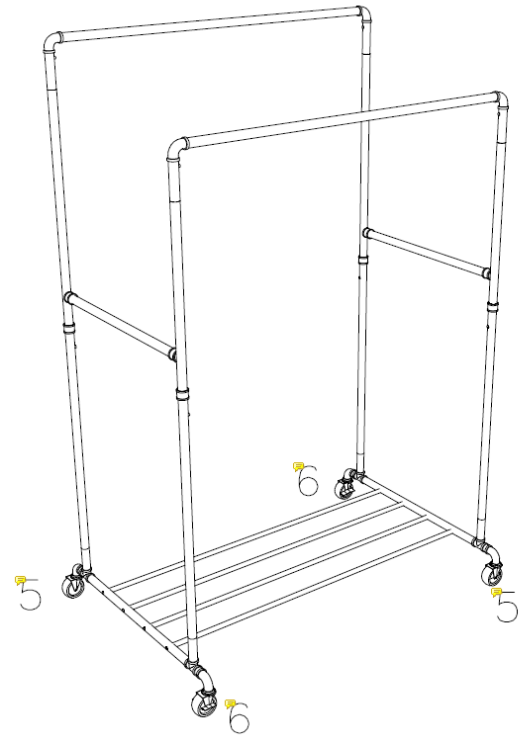
**Parts Needed:**

<p>2</p>  <p>M6*30</p> <p>X 4</p>	<p>7</p> 
--	--

5)



6)



**Please retain a copy of all instructions for future consultation.**



**An Official Oypla Branded Product**

Imported into the EU by Oypla.com LLP, Uxbridge, UB8 2FX

USER MANUAL Model No: 4608