

GARDEN

THANK YOU FOR YOUR ORDER

Contents

1	Front Cover
-	-
2	Safety
	Instructions
-	-
2	Warning
	Instructions
-	-
3	Assembly
	Instructions
-	-
5	Engine
	Protection
-	-
6	Cleaning and
	Maintenance
-	-
6	Technical
	Information
-	-
7	Troubleshooting
-	-
8	Back Cover

End



Garden Water Butt Pump

Contents

1	Front Cover
-	-
2	Safety Instructions
-	-
2	Warning Instructions
-	-
3	Assembly Instructions
-	-
5	Engine Protection
-	-
6	Cleaning and Maintenance
-	-
6	Technical Information
-	-
7	Troubleshooting
-	-
8	Back Cover

End

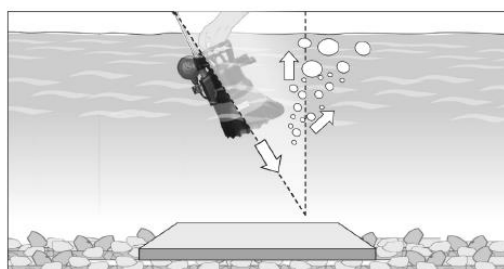
Safety Instructions

Notice: Ensure you read and fully understand instructions before use

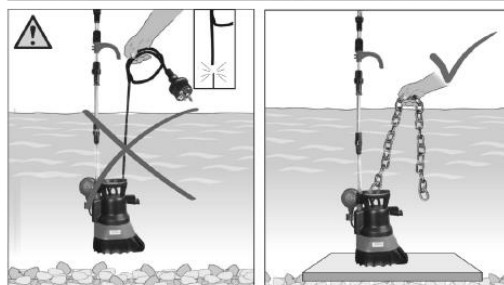
While every attempt is made to ensure the highest degree of protection in all equipment, we cannot guarantee freedom from injury. The user assumes all risk of injury due to use. All merchandise is sold on this condition, which no representative of the company can waive or change.

- This product is not intended for use by persons (including children) with reduced physical, sensory and mental capacities, or lack of experience and knowledge, unless they have been given supervision or instruction concerning use of the product by persons responsible for their safety.
- Children should be supervised to ensure that they do not play with the product. Always keep children and unauthorised persons out of reach of the appliance.
- To store over winter, make sure there is no water in the appliance.
- This product is intended for outdoor use only.
- Make sure all fastenings are tightly in place and that everything is in order before using the product. This should be checked periodically by an adult.
- Pinch points can cause personal injury.
- Do not discard any of the packaging until you have checked that you have all of the parts and fittings required.
- Not suitable for long-run operation.
- Do not use the pump for drinking water.
- Before use, make sure the connecting socket is not near water.
- Only use splash proof extension cables approved for outdoor use.
- Do not grab the feeder cable, plunge the pump, lift or carry while it is connected to the grid.
- When the appliance is not in use, always unplug from the mains socket.
- Ensure the power supply to the socket into which the appliance is plugged, is in accordance with the rating label on the appliance and that the socket is earthed.
- Do not leave the product unattended while in operation.
- The temperature of the grained liquid must not exceed +35°C.
- Visually check the product before use, in particular the feeder cable and plug.
- To ensure long life of the pump seal, rinse the pump with clean water regularly.
- Unpacking, installing and fixing the parts are to be completed by an adult.
- If the product is damaged or has any defects, please contact cservice@oypla.com.

Warnings



⚠ DO NOT SUBMERGE THE PUMP INTO WATER USING THE CABLE. THIS MAY LEAD TO RPRODUCT FAILURE AND/OR PSERONAL INJURY.



Manual Version: v1.0

Model Code: 4599

Oypla.com LLP / www.oypla.com

Contents

1	Front Cover
-	
2	Safety Instructions
-	
2	Warning Instructions
-	
3	Assembly Instructions
-	
5	Engine Protection
-	
6	Cleaning and Maintenance
-	
6	Technical Information
-	
7	Troubleshooting
-	
8	Back Cover

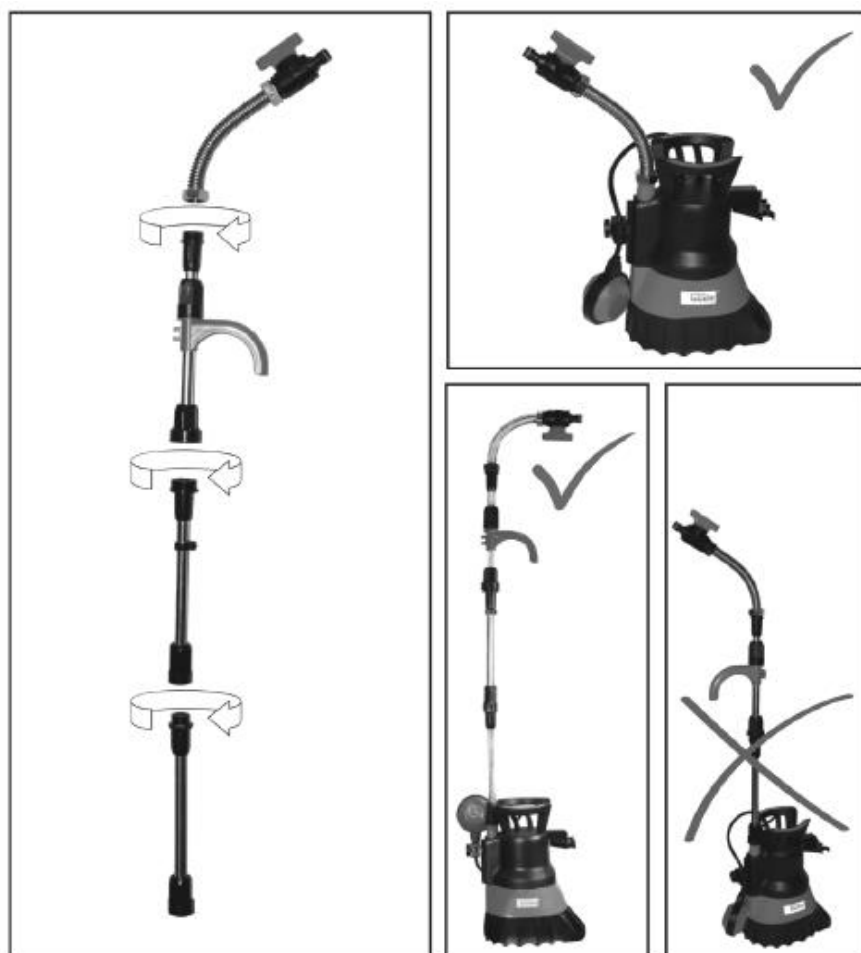
End

Assembly Instructions

Parts List:

- If you are missing any of the below parts, please contact cservice@oypla.com
- Please be aware that you will be referring to this parts list throughout the assembly process.

1



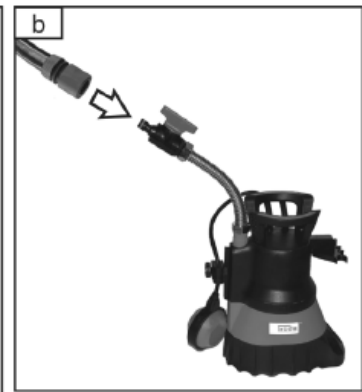
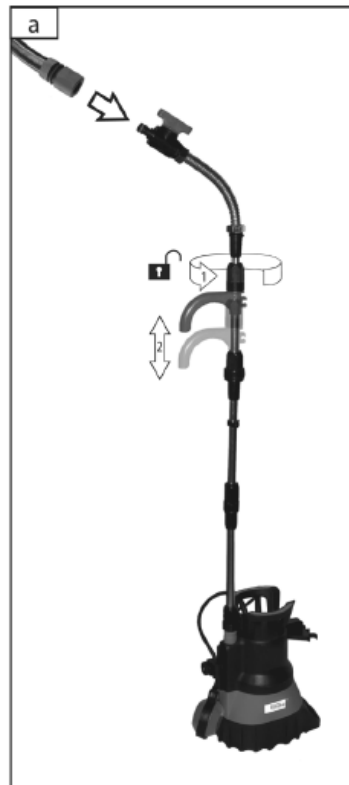
To assemble, simply twist on the on the 3 poles as seen in the images above. Ensure securely fastened. Once securely in place move on to connecting the supply connection.

Contents

- 1 Front Cover
-
- 2 Safety Instructions
-
- 2 Warning Instructions
-
- 3 Assembly Instructions
-
- 5 Engine Protection
-
- 6 Cleaning and Maintenance
-
- 6 Technical Information
-
- 7 Troubleshooting
-
- 8 Back Cover

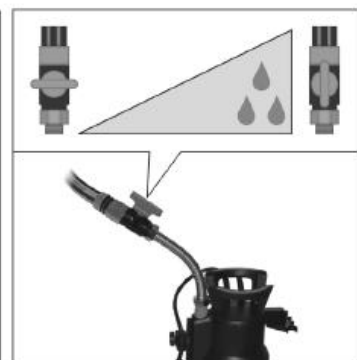
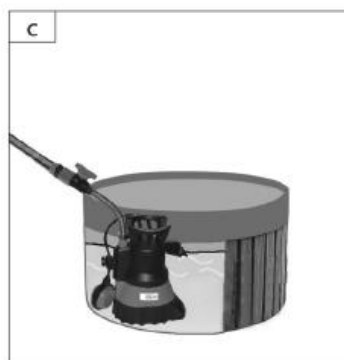
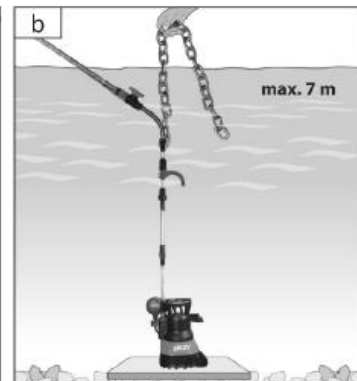
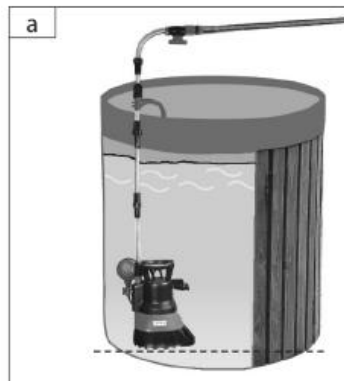
End

2



Now, attach your own hose onto the top end of the pump. Once securely connected, the product is ready for use.

3



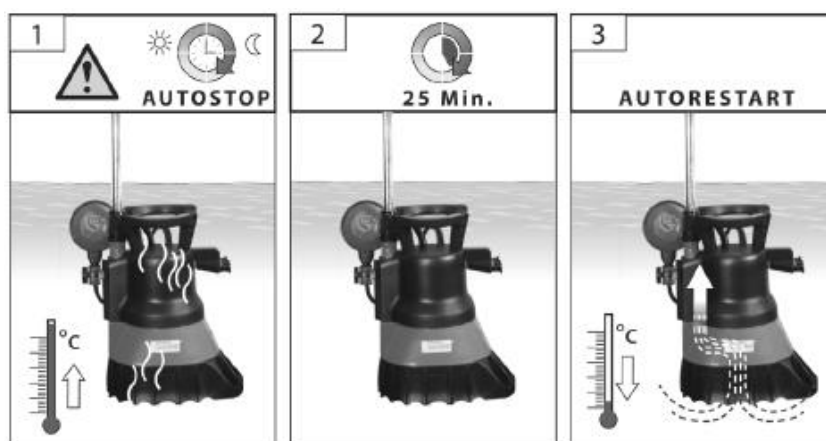
When submerged, turn the valve to begin allowing water to pass through. Please see images the above for guidance.

Engine Protection

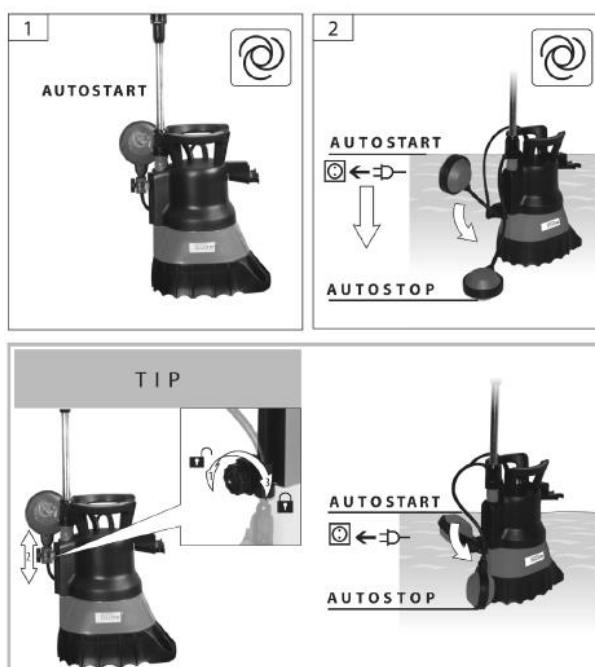
Contents

- 1 Front Cover
-
- 2 Safety Instructions
-
- 2 Warning Instructions
-
- 3 Assembly Instructions
-
- 5 Engine Protection
-
- 6 Cleaning and Maintenance
-
- 6 Technical Information
-
- 7 Troubleshooting
-
- 8 Back Cover

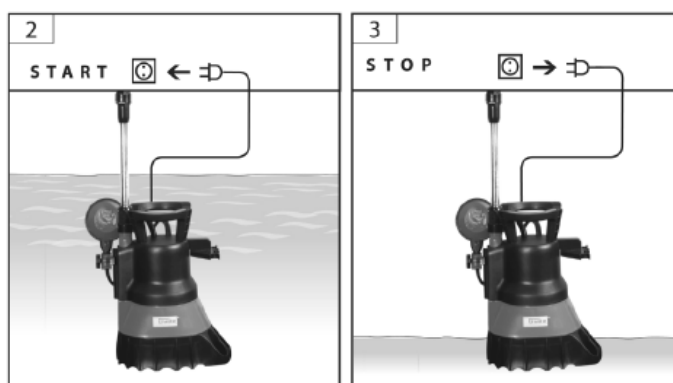
End



The pump operates with an auto stop/restart mechanism, meaning the pump restarts every 25 minutes.



If the float is below the unit, the engine will automatically cease. To prevent this, you can lock float into place on the side of the unit.



Plugging the unit into the mains will automatically start the engine. Unplugging the unit from the mains will automatically cease the engine.

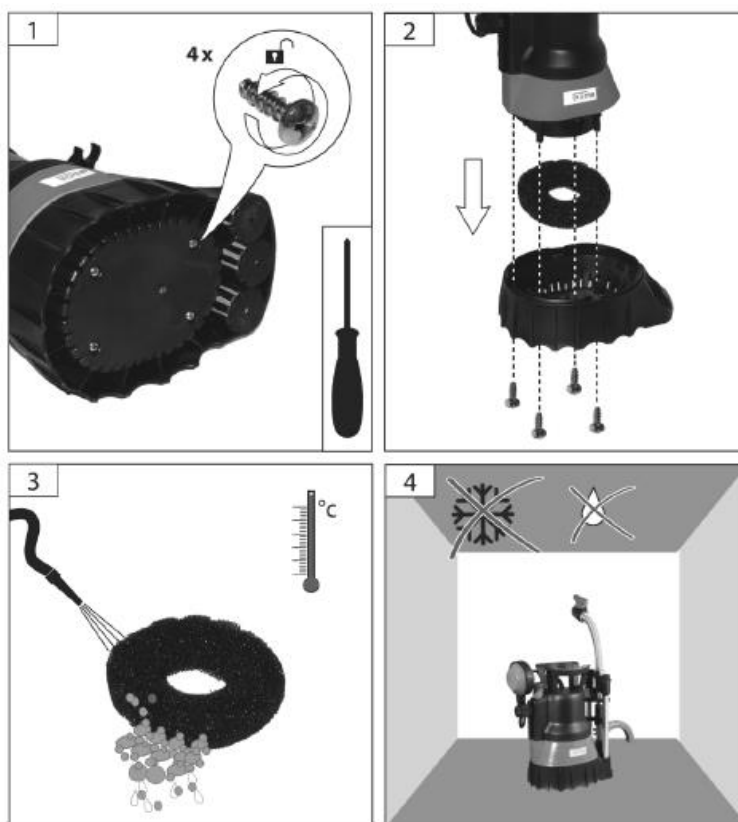
Contents

1	Front Cover
-	-
2	Safety Instructions
-	-
2	Warning Instructions
-	-
3	Assembly Instructions
-	-
5	Engine Protection
-	-
6	Cleaning and Maintenance
-	-
6	Technical Information
-	-
7	Troubleshooting
-	-
8	Back Cover

End

Cleaning & Maintenance

Please refer to the instructions below in regards to cleaning and maintaining your product.



Unscrew the shown screws to expose the filter. Wash the filter using clean water to ensure it can function as it should.

Technical Information

Rain Water Tank Pump	GFP5201
Art Number	94649
Service Connection	230V~50Hz
Rated Input	350W
Max Immersion	7m
Max Delivered Quantity	5200 l/h
Max Head of Delivery	11m
Max Suction	3mm
Max Water Temperature	35 degrees Celsius
Rain Water Tank Pump Service Connection	3/4' AG
Degree of Protection	IPX8
Weight	4.1kg

Contents

Troubleshooting

1	Front Cover
-	
2	Safety
	Instructions
-	
2	Warning
	Instructions
-	
3	Assembly
	Instructions
-	
5	Engine
	Protection
-	
6	Cleaning and
	Maintenance
-	
6	Technical
	Information
-	
7	Troubleshooting
-	
8	Back Cover

End

Failures	Causes	Removal
Engine does not start	No system voltage Blocked pump wheel Floating switch in shutdown position	Check the voltage Visually inspect the pump wheel for foreign objects Check the water level
Pump does not suck	Pump without water Water level too low Blocked pump wheel	Let the air bubbles release Switch the pump off, water level must go up Remove the obstruction
Thermal detector switching the pump off	Dirty tube filter Water temperature too high Pump running continuously at maximum pressure	Clean the tube filter and let the pump cool down Reduce the water temperature Make more breaks
Insufficient amount of water pumped	Dirty tube filter Water level quickly going down Maximum head of delivery exceeded Transport guide broken	Clean the tube filter Ensure sufficient inflow Check the transport path length Check the transport guide

Contents

1	Front Cover
-	-
2	Safety
	Instructions
-	-
2	Warning
	Instructions
-	-
3	Assembly
	Instructions
-	-
5	Engine
	Protection
-	-
6	Cleaning and
	Maintenance
-	-
6	Technical
	Information
-	-
7	Troubleshooting
-	-
8	Back Cover
	End



HAVE A QUESTION ABOUT YOUR PURCHASE?

Our dedicated customer services team are happy to help. Contact them via:

Telephone: 020 3600 22 55
Email: cservice@oypla.com
Live Chat: WWW.OYPLA.COM

CONSIDER THE ENVIRONMENT!

In the United Kingdom, approximately 5 billion corrugated boxes are used per year, amounting to around 83 per person! By recycling the cardboard box in which this product was packed, you contribute to the preservation and sustainability of the environment.

If you see a recycling logo on the packaging of your product, such as the below examples, that piece of packaging is recyclable. If there is not a recycling logo, please check with your local authorities before recycling.



PLEASE RETAIN A COPY OF THESE INSTRUCTIONS FOR FUTURE CONSULTATION

OYPLA.COM

AN OFFICIAL OYPLA BRANDED PRODUCT

ENVIRONMENTAL PROTECTION

Products bearing the symbol shown below means that used electrical and electronic equipment (WEEE) should not be mixed with general household waste. For proper treatment, recovery and recycling, please take this product(s) to designated collection points where it will be accepted free of charge. Disposing of this product correctly will help save valuable resources and prevent any potential negative effects on human health and the environment, which could otherwise arise from inappropriate waste handling. Please contact your local authority for further details of your nearest designated collection point. Penalties may be applicable for incorrect disposal of this waste, in accordance with your national legislation.



Manual Version: v1.0

Model Code: 4599

Oypla.com LLP / www.oypla.com