

HOME

THANK YOU FOR YOUR ORDER

Contents

- 1 Front Cover
-
- 2 Safety
Instructions
-
- 3 Operating
Instructions
-
- 3 Cleaning &
Maintenance
-
- 4 Assembly
Instructions
-
- 4 Back Cover

End



450W Convector Heater

Contents

Safety Instructions

Notice: Ensure you read and fully understand instructions before use

While every attempt is made to ensure the highest degree of protection in all equipment, we cannot guarantee freedom from injury. The user assumes all risk of injury due to use. All merchandise is sold on this condition, which no representative of the company can waive or change.

1 Front Cover
-
2 Safety Instructions
-
3 Operating Instructions
-
3 Cleaning & Maintenance
-
4 Assembly Instructions
-
4 Back Cover

End

- The product should only be connected to a 220-240V AC, 50Hz electrical outlet.
- Never leave the product unattended whilst it is switched on.
- If you have to leave the product unattended, even for a short while, always switch it off.
- Keep the product out of children’s reach and do not allow children to use it.
- The product is only intended for normal domestic use and only in the manner described in this instruction manual.
- Inspect the mains lead regularly. Never use the product if the mains lead or plug has been damaged in any way.
- Do not place the mains lead on or near any hot surface.
- Do not touch the product if your hands are moist or wet.
- Never move the product by pulling on the lead.
- Keep furniture, curtains and other flammable material at least 1 metre away from the product.
- Do not discard of any packaging until you have checked that you have all of the parts and fittings required.
- Do not run the power cord under carpets, rugs etc. or anywhere where it may present a trip hazard.
- Do not use this heater in bathrooms.
- Never place the cable directly against the heater or close to a hot air outlet.
- Do not touch the heater the heater during use as it will get very hot and could cause injury.
- The heater must not be located immediately below or next to a mains power supply.
- Never cover the heater in any way.
- Do not move the heater whilst it is use.
- Never use the heater in areas where explosive gasses or liquids are stored.
- This product is not intended for use by persons (including children) with reduced physical, mental and sensory capacities, or lack of experience and knowledge, unless they have been given supervision or instructions concerning the use of the product by persons responsible for their safety.
- If the product is damaged or has any defects, please contact cservice@oypla.com

Warnings

⚡ WARNING ⚡

To Reduce The Risk of Fire or Electric Shock, follow these basic precautions:

- Read all instructions before using the heater.
 - Never allow children to operate or play with the heater.
 - Never clean heater parts with flammable fluids. The fumes can create a fire hazard or explosion.
 - Do not store or use gasoline or any other flammable vapors and liquids in the vicinity of this or any other heater. The fumes can create a fire hazard or explosion.
- UNPLUG OR DISCONNECT THIS HEATER FROM THE POWER SUPPLY BEFORE SERVICING.

-Save these instructions-

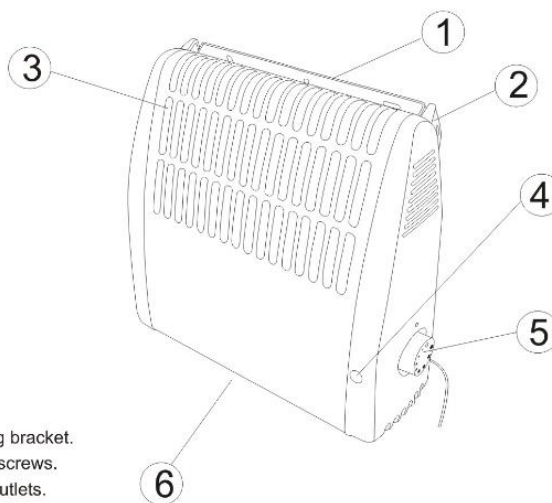
Contents

- 1 Front Cover
-
- 2 Safety
Instructions
-
- 3 Operating
Instructions
-
- 3 Cleaning &
Maintenance
-
- 4 Assembly
Instructions
-
- 4 Back Cover

End

Operating Instructions

Please refer to the diagram below for instructions on how to operate your product.



1. Mounting bracket.
2. Bracket screws.
3. Hot air outlets.
4. Control lamp.
5. Rotary knob.
6. Air intake.

1. Turn the rotary knob (5) clockwise as far as it will go.
2. Wait until the heater has warmed up the room to the desired temperature, and then turn the knob back slowly until the control lamp (4) goes out.
3. The thermostat is now set at the current temperature and will turn ON when the temperature drops below this point, or OFF when above.

Cleaning & Maintenance

Please refer to the instructions below in regards to cleaning and maintaining your product.

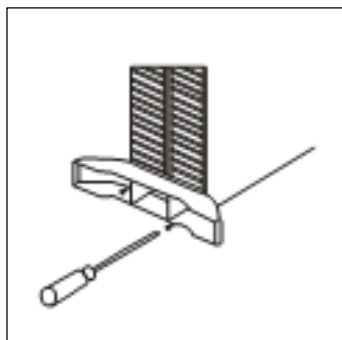
- Before cleaning the heater, disconnect the plug from the power supply and allow it to cool down fully.
- Clean the casing with a damp cloth. Do not use any strong or abrasive cleaning materials and do not allow water to reach any internal parts.
- Do not immerse the heater in water or any other liquid.

Contents

1	Front Cover
-	-
2	Safety Instructions
-	-
3	Operating Instructions
-	-
3	Cleaning & Maintenance
-	-
4	Assembly Instructions
-	-
4	Back Cover

End

Assembly Instructions



- Before use, the feet should be attached using the four screws provided, as shown in the diagram to the left.

HAVE A QUESTION ABOUT YOUR PURCHASE?

Our dedicated customer services team are happy to help. Contact them via:

Telephone: 020 3600 22 55
Email: cservice@oypla.com
Live Chat: WWW.OYPLA.COM

CONSIDER THE ENVIRONMENT!

In the United Kingdom, approximately 5 billion corrugated boxes are used per year, amounting to around 83 per person! By recycling the cardboard box in which this product was packed, you contribute to the preservation and sustainability of the environment.

If you see a recycling logo on the packaging of your product, such as the below examples, that piece of packaging is recyclable. If there is not a recycling logo, please check with your local authorities before recycling.



PLEASE RETAIN A COPY OF THESE INSTRUCTIONS FOR FUTURE CONSULTATION

OYPLA.COM

AN OFFICIAL OYPLA BRANDED PRODUCT

ENVIRONMENTAL PROTECTION

Products bearing the symbol shown below means that used electrical and electronic equipment (WEEE) should not be mixed with general household waste. For proper treatment, recovery and recycling, please take this product(s) to designated collection points where it will be accepted free of charge. Disposing of this product correctly will help save valuable resources and prevent any potential negative effects on human health and the environment, which could otherwise arise from inappropriate waste handling. Please contact your local authority for further details of your nearest designated collection point. Penalties may be applicable for incorrect disposal of this waste, in accordance with your national legislation.

Imported by Oypla.com LLP, Uxbridge, UB8 2FX



Model Code: 4597

Oypla.com LLP / www.oypla.com