

# GARDEN

THANK YOU FOR YOUR ORDER

## Contents

- 1 Front Cover  
-
- 2 Safety  
Instructions  
-
- 2 Warning  
Instructions  
-
- 3 Assembly  
Instructions  
-
- 4 Assembly  
Instructions  
-
- 4 Back Cover



## Hedgehog House

## Contents

1	Front Cover
-	-
2	Safety Instructions
-	-
2	Warning Instructions
-	-
3	Assembly Instructions
-	-
4	Assembly Instructions
-	-
4	Back Cover

End


# Safety Instructions

## Notice: Ensure you read and fully understand instructions before use

While every attempt is made to ensure the highest degree of protection in all equipment, we cannot guarantee freedom from injury. The user assumes all risk of injury due to use. All merchandise is sold on this condition, which no representative of the company can waive or change.

- Never carry out any alterations or modifications to this product.
- This product is not a toy, and is only to be used for its designated purpose.
- Keep fingers, loose clothing, and hair away when assembling the product and folding the lid.
- Make sure all fastenings are tightly in place and that everything is in order before using the product. This should be checked periodically by an adult.
- This product contains small parts that could be a choking hazard if swallowed. Keep these items away from children.
- This product is intended for outdoor use only.
- Leaving the product outside exposed to weather, especially direct sun, rain and salt air, will speed the weathering process. This can be slowed by removing the product from these conditions or covering it with a suitable cover.
- Clean only with a damp cloth. Do not use strong industrial cleaning substances or abrasive materials as these will damage the product.
- If the product is damaged or has any defects, please contact [cservice@oypla.com](mailto:cservice@oypla.com).

## Warnings

 This product contains small parts which may be a choking hazard. Keep these parts away from children.

Contents

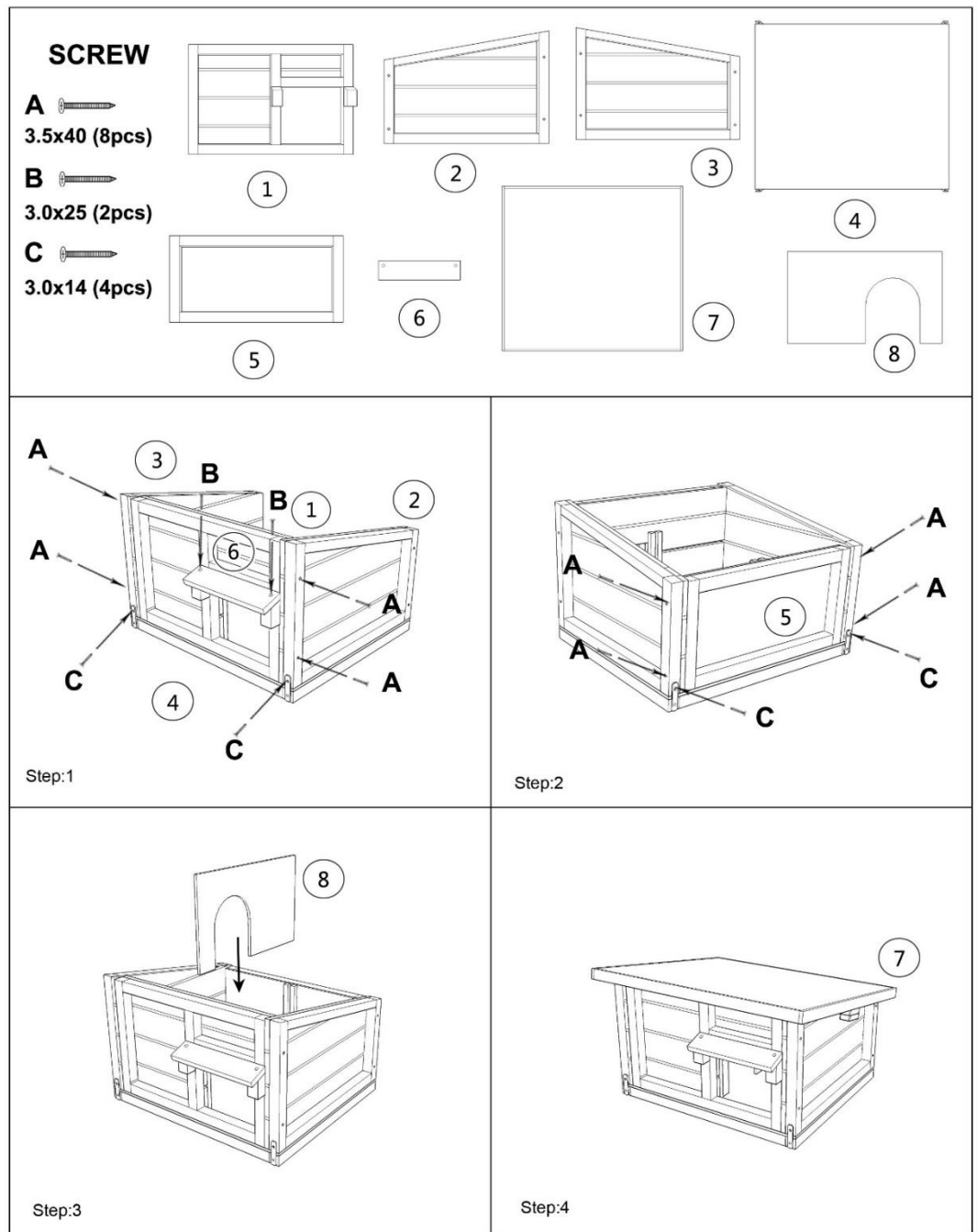
# Assembly Instructions

## Parts List:

- If you are missing any of the below parts, please contact [cservice@oypla.com](mailto:cservice@oypla.com)
- Please be aware that you will be referring to this parts list throughout the assembly process.

- 1 Front Cover
- 
- 2 Safety Instructions
- 
- 2 Warning Instructions
- 
- 3 Assembly Instructions
- 
- 4 Assembly Instructions
- 
- 4 Back Cover

End



# Contents

1	Front Cover
-	-
2	Safety
	Instructions
-	-
2	Warning
	Instructions
-	-
3	Assembly
	Instructions
-	-
4	Assembly
	Instructions
-	-
4	Back Cover
	End

1) To start, you'll need parts **1, 2** and **3**. Using 2 **A** screws, simply connect the taller side of part **2** to the right side of part **1**. Once done, repeat with part **3** on the left side of part **1**. Please see step 1 images on the previous page to help. Now as seen on the step 1 image, attach part **6** to part **1** just above the door entrance. Use the 2 **B** screws to secure this in place. Next, place the already built section on top of part **4**. Using the 2 metal connectors which are pre attached and 2 **C** screws, securely fasten each part together. Please see image of step 1 for guidance.

2) For step 2, start by putting part **5** into position seen on the step 2 image. Once the pre-drilled holes align, secure using the 4 remaining part **A** screws. Now as with on step 1 use 2 **C** screws to complete the connecting of part **4** (base) to the product.

3) For this step simply slide part **8** into its slot on the inside of the hut. Please see step 3 image for assistance.

4) Lastly, place the hut roof (part **7**) on top of the product. This roof does not securely attach to allow for easy cleaning, feeding and general access to the hut.

## HAVE A QUESTION ABOUT YOUR PURCHASE?

Our dedicated customer services team are happy to help. Contact them via:

**Telephone:** 020 3600 22 55  
**Email:** [cservice@oypla.com](mailto:cservice@oypla.com)  
**Live Chat:** [WWW.OYPLA.COM](http://WWW.OYPLA.COM)

## CONSIDER THE ENVIRONMENT!

In the United Kingdom, approximately 5 billion corrugated boxes are used per year, amounting to around 83 per person! By recycling the cardboard box in which this product was packed, you contribute to the preservation and sustainability of the environment.

If you see a recycling logo on the packaging of your product, such as the below examples, that piece of packaging is recyclable. If there is not a recycling logo, please check with your local authorities before recycling.



PLEASE RETAIN A COPY OF THESE INSTRUCTIONS FOR FUTURE CONSULTATION

# OYPLA.COM

AN OFFICIAL OYPLA BRANDED PRODUCT