

OYPLA™

HOME

THANK YOU FOR YOUR ORDER



COLOUR MAY VARY

3 Tier Storage Cart

USER MANUAL Model No: 4326/4565

Safety Instructions

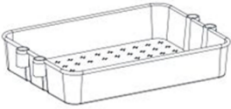









Notice: Please read all instructions carefully before using this product.

- Make sure all fastenings are tightly in place and that everything is in order before using the product. This should be checked periodically by an adult.
- This product is not a toy, and is only to be used for its designated purpose.
- This product is intended for indoor use only.
- The weight capacity of the top shelf is 16.5kg and the lower shelves is 22.5kg. Do not exceed this amount.
- Clean only with a damp cloth. Do not use abrasive cleaners or detergents.
- Do not discard any of the packaging until you have checked that you have all of the parts and fittings required.
- If the product is damaged or has any defects, please contact cservice@oypla.com

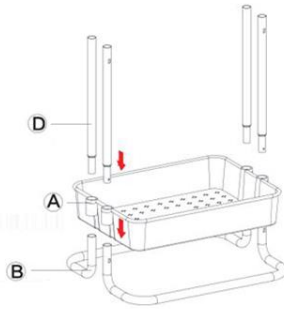
Assembly Instructions

Parts List

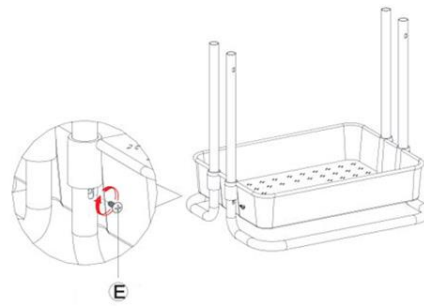
If you are missing any of the below parts please contact cservice@oypla.com

<p>A Basket</p>  <p>3/PCS</p>	<p>B Bottom pole</p>  <p>2/PCS</p>	<p>C Handle</p>  <p>1/PC</p>	<p>D Support pole</p>  <p>8/PCS</p>	<p>E Screw</p>  <p>one spare piece 12/PCS</p>
<p>F Cover</p>  <p>2/PCS</p>	<p>G Caster</p>  <p>with lock 2/PCS</p>  <p>no lock 2/PCS</p>	<p>H Screwdriver</p>  <p>1/PC</p>	<p>I Spanner</p>  <p>1/PC</p>	

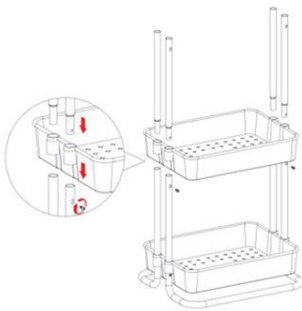
1 Fit the first basket (A) onto the bottom poles (B) and insert four support poles (D).



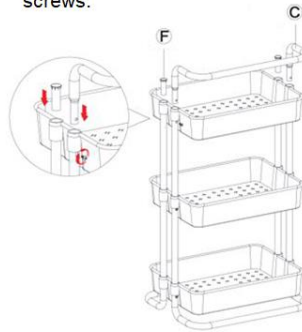
2 Align the holes in the bottom pole with those in the support poles and secure using four screws (E).



3 Install the remaining two baskets using the same method.



4 Insert the covers (F) into one side of the support poles. Insert the handle (C) into the other side and secure with two screws.



5 Insert the casters (G) into the bottom pole and secure using the spanner.



HAVE A QUESTION ABOUT YOUR PURCHASE?

Our dedicated customer services team are happy to help. Contact them via:

Telephone: 020 3600 22 55

Email: cservice@oypla.com

Live Chat: WWW.OYPLA.COM

CONSIDER THE ENVIRONMENT!

In the United Kingdom, approximately 5 billion corrugated boxes are used per year amounting to around 83 per person! By recycling the cardboard box in which this product was packed, you contribute to the preservation and sustainability of the environment.

If you see a recycling logo on the packaging of your product, such as the below examples, that piece of packaging is recyclable. If there is not a recycling logo, please check with your local authorities before recycling.



PLEASE RETAIN A COPY OF THESE INSTRUCTIONS FOR FUTURE CONSULTATION

OYPLA.COM

AN OFFICIAL OYPLA BRANDED PRODUCT

USER MANUAL Model No: 4326/4565