

OYPLA™

HOME

THANK YOU FOR YOUR ORDER



Bathroom Shelf

USER MANUAL Model No: 4523

Safety Instructions

Notice: Ensure you read and fully understand instructions before use

While every attempt is made to ensure the highest degree of protection in all equipment, we cannot guarantee freedom from injury. The user assumes all risk of injury due to use. All merchandise is sold on this condition, which no representative of the company can waive or change.

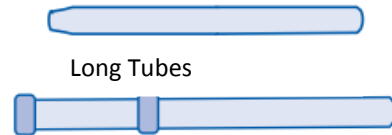
- Make sure all fastenings are tightly in place and that everything is in order before using the product. This should be checked periodically by an adult.
- Do not discard any of the packaging until you have checked that you have all of the parts and fittings required.
- Use the correct fixings as indicated. Do not tighten any of the nuts until the unit is completely assembled, then finish by tightening all nuts. All nuts must be tightened before use.
- Do not carry out alterations or modifications to this product.
- This product is not a toy, and is only to be used for its designated purpose.
- This product is intended for indoor use only.
- The weight capacity of each shelf is 3kg. Do not exceed this amount.
- Children should be supervised to ensure they do not play with the product.
- Persons (including children) with reduced physical, sensory and mental capacities or lack of experience and knowledge do not intend this product for use, unless persons responsible for their safety have given them supervision or instruction concerning use of the product.
- If the product is damaged or has any defects, please contact cservice@oypla.com

Assembly Instructions

Parts List:



Plastic Shelves



Long Tubes

Long Tube with Extender

Short Tube



Bottom End Pad

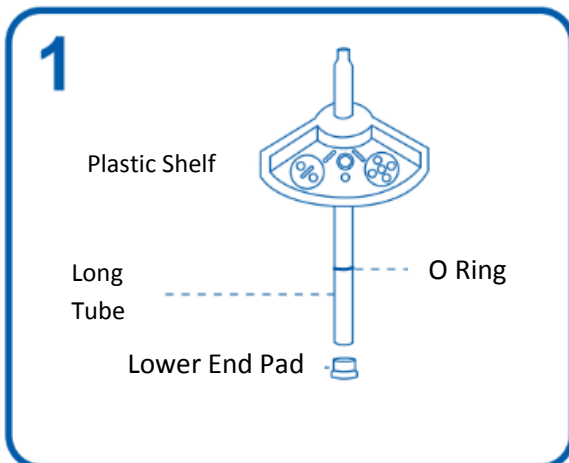


Top End Pad



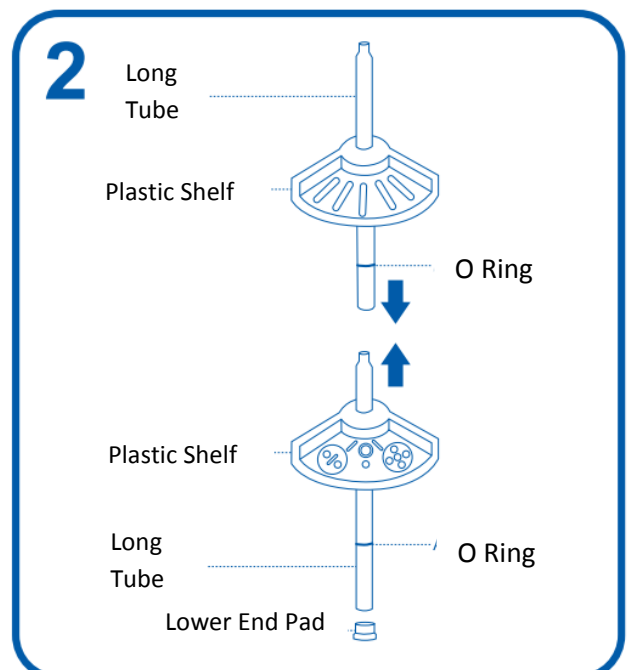
O Rings

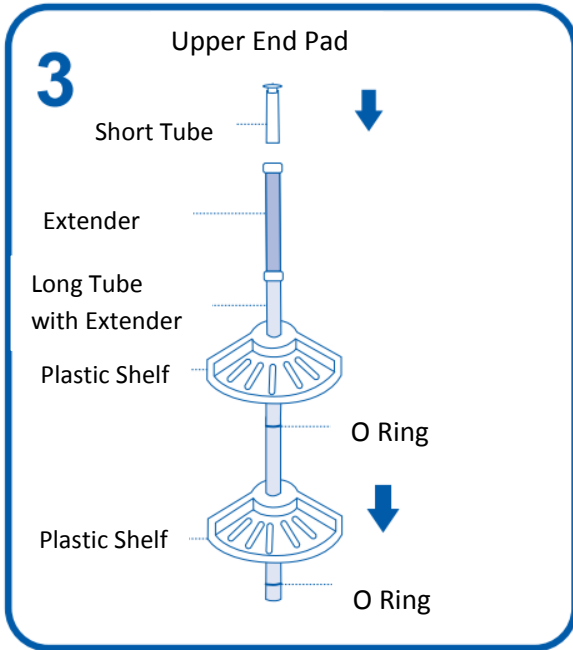
Note: Your shelf is adjustable if you are going to install from the floor to the ceiling, you will probably have to use all the pipes. If it is installed starting from a higher point (for example: the edge of the bathtub), it is possible that it can be installed without using a long tube



Take a long tube and insert an "O" ring at the narrowest end. Now slide to the desired position, then insert the stem over the long tube and slide it until it rests on the "O" ring. Now place the lower end pad under the tube. Figure 1.

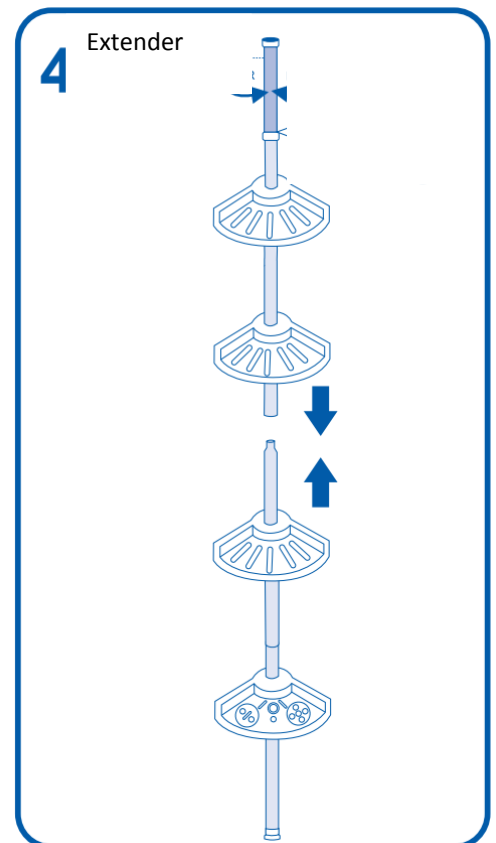
Perform the same process with the next long tube, place the ring and the shelf as you did before. Now you must insert the second armed structure over the first.





Now take the long tube with an extender and insert a shelf along the bottom of the tube and slide it towards the end, then place the O ring and you will have to lower the shelf until it rests on the O ring. in the same way place the other shelf and ring O. Then take the short tube and place the upper pad, now insert it over the extender tube now that you have assembled the shelves to the extender tube, you must join it with the shelves you previously assembled.

You must adjust the upper extension tube to the ceiling height to the necessary length (avoid extending the red mark mask). Once the height is adjusted, you must turn the extender tube counter clockwise so that it is locked. Once all the parts have been assembled and the height adjusted, the adjustable shelf is ready to be placed in the desired place by pressing against the tension tube and the upper pad so that the spring contracts and can install the shelf easily. Note: make sure that the adjustable shelf is well assembled and is completely fixed between the ceiling and the floor before placing your products to avoid disassembly on the adjustable shelf.



Please retain a copy of all instructions for future consultation.



An Official Oypla Branded Product

Imported by Oypla.com LLP, Uxbridge, UB8 2FX

USER MANUAL Model No: 4523