



Crayon Toy Box

USER MANUAL Model No: 4459

Safety Instructions

Notice: Ensure you read and fully understand instructions before use

While every attempt is made to ensure the highest degree of protection in all equipment, we cannot guarantee freedom from injury. The user assumes all risk of injury due to use. All merchandise is sold on this condition, which no representative of the company can waive or change.

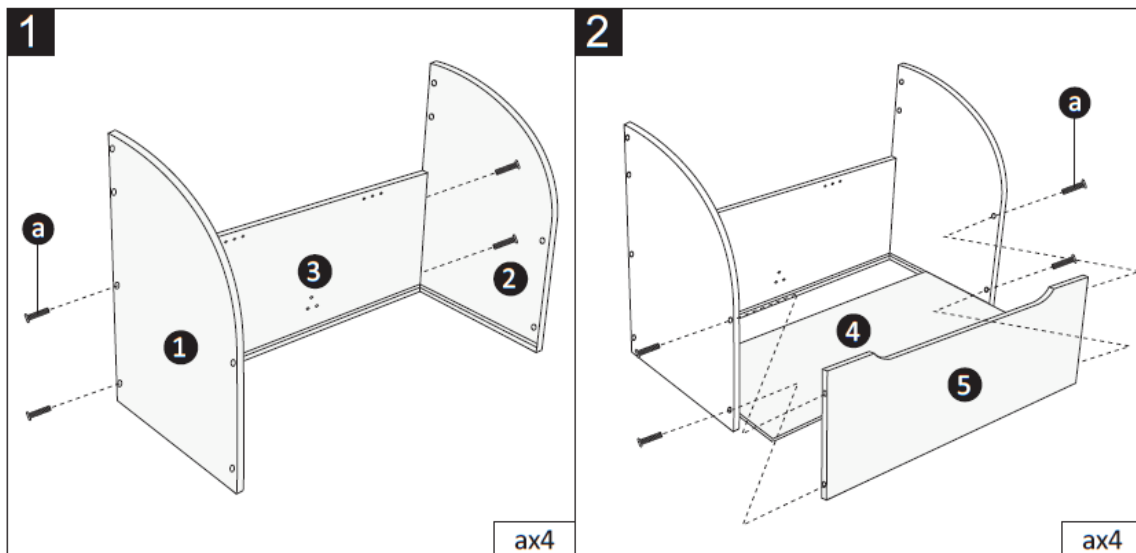
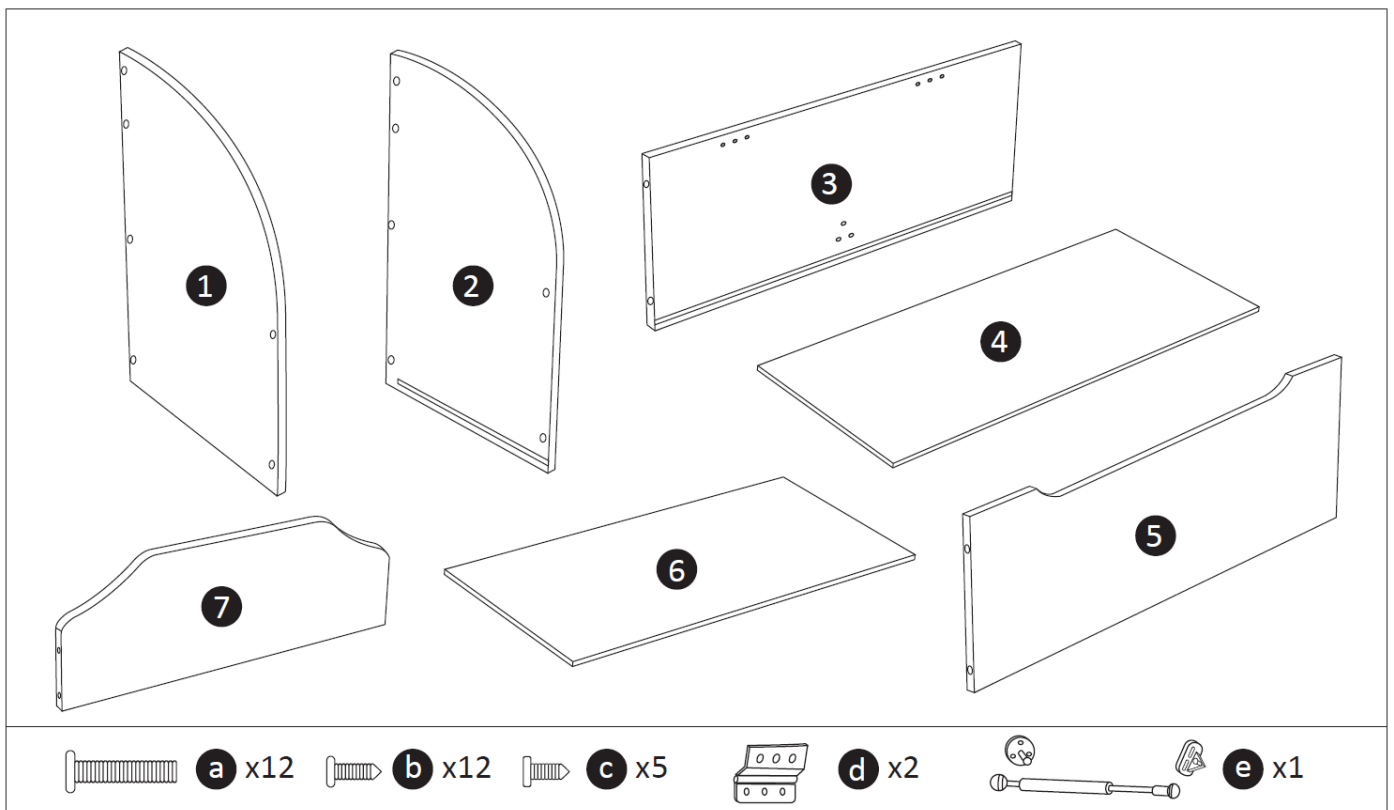
- This product is not a toy, and is only to be used for its designated purpose.
- This product is only suitable for children aged three and above.
- Never carry out any alterations or modifications to this product.
- This product is intended for indoor use only.
- Only use this product on stable, level and dry ground.
- An adult should assess the area that the toy box will be placed to remove any potential hazards.
- Make sure all fastenings are tightly in place and that everything is in order before using the product. This should be checked periodically by an adult.
- Unpacking, installing and fixing the parts are to be completed by an adult.
- Keep away from fire.
- Make sure all packaging has been removed before attempting to build the product.
- Clean only with a damp cloth. Do not use strong industrial cleaning substances or abrasive materials as these will damage the product.
- If the product is damaged or has any defects, please contact cservice@oypla.com

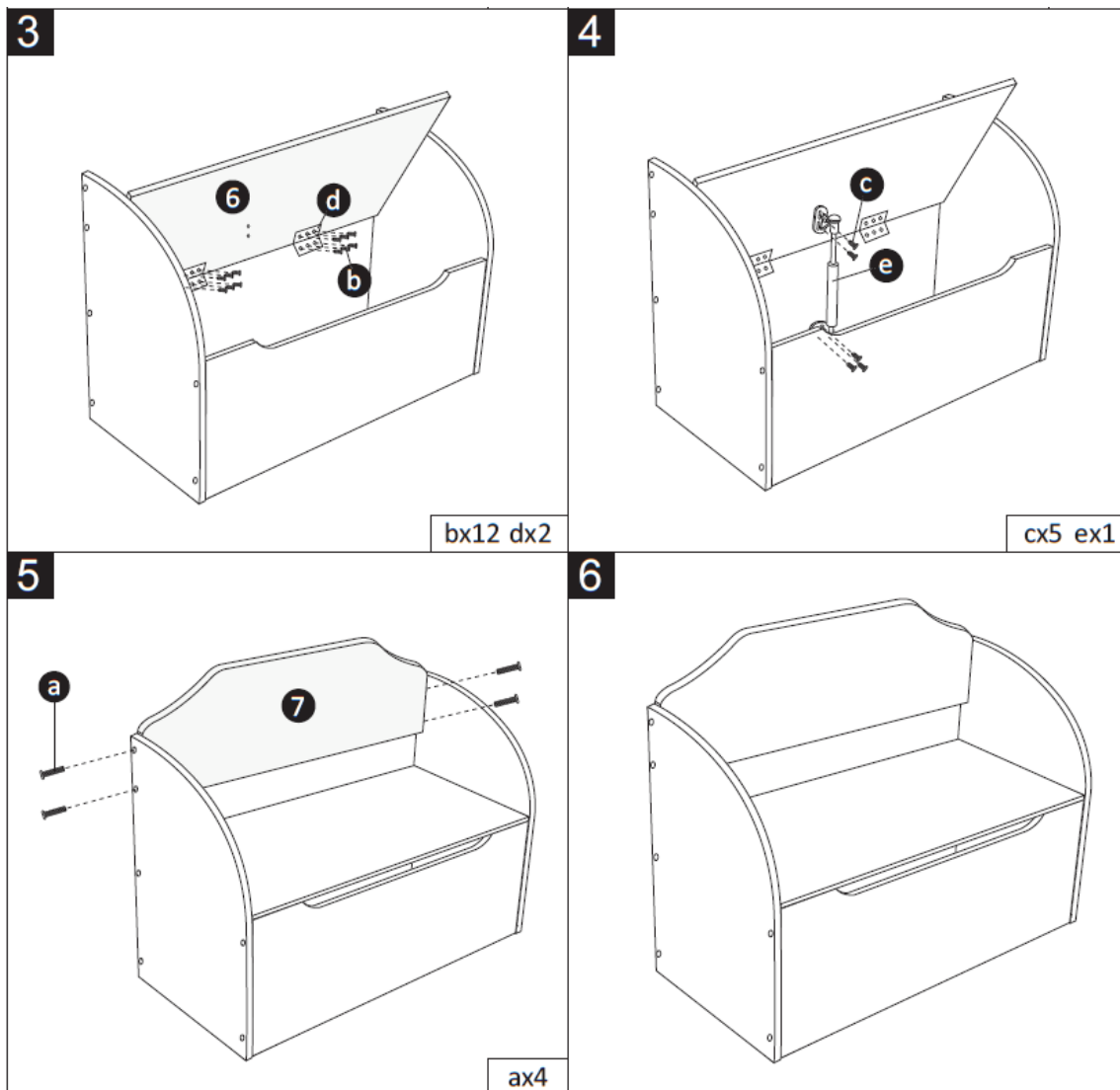
Assembly Instructions

Parts List:

If you are missing any of the below parts please contact cservice@oypla.com

Please be aware that you will be referring to this parts list throughout the assembly process.





HAVE A QUESTION ABOUT YOUR PURCHASE?

OUR DEDICATED CUSTOMER SERVICES TEAM ARE HAPPY TO HELP
CONTACT THEM VIA:

TELEPHONE: 020 3600 2255

EMAIL: cservice@oypla.com

LIVE CHAT: www.oypla.com

PLEASE RETAIN A COPY OF THESE INSTRUCTIONS FOR FUTURE CONSULTATION

OYPLA.COM

An Official OYPLA Branded Product

Imported by Oypla.com LLP, Uxbridge, UB8 2FX

USER MANUAL Model No: 4459

