

# HOME

THANK YOU FOR YOUR ORDER

## Contents

- 1 Front Cover
- 
- 2 Safety Instructions
- 
- 2 Warning Instructions
- 
- 3 Assembly Instructions
- 
- 4 Back Cover

End



## Wooden Coat Stand

## Contents

1	Front Cover
-	-
2	Safety Instructions
-	-
2	Warning Instructions
-	-
3	Assembly Instructions
-	-
4	Back Cover
	End


# Safety Instructions

## Notice: Ensure you read and fully understand instructions before use

While every attempt is made to ensure the highest degree of protection in all equipment, we cannot guarantee freedom from injury. The user assumes all risk of injury due to use. All merchandise is sold on this condition, which no representative of the company can waive or change.

- This product is intended for indoor use only. Only use on a stable and level ground.
- Do not carry out alterations or modifications to this product.
- This product contains small parts that could be a choking hazard if swallowed. Keep these items away from children.
- Do not discard any of the packaging until you have checked that you have all the parts and fittings required.
- Leaving the product outside exposed to weather, especially direct sun and rain, will speed the weathering process. This can be slowed by removing the product from these conditions, or covering it with a suitable cover.
- Make sure all fastenings are tightly in place and that everything is in order before using the product. This should be checked periodically by an adult.
- Use the correct fixings as indicated. Do not tighten any of the nuts until the unit is completely assembled, then finish by tightening all nuts. All nuts must be tightened before use.
- Keep away from fire.
- Clean only with a damp cloth. Do not use strong industrial cleaning substances.
- If the product is damaged or has any defects, please contact [cservice@oypla.com](mailto:cservice@oypla.com).

## Warnings

 This product contains small parts. These may be a choking hazard if swallowed. Keep these items away from children.


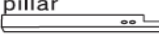
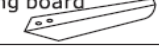
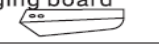

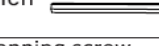



# Assembly Instructions

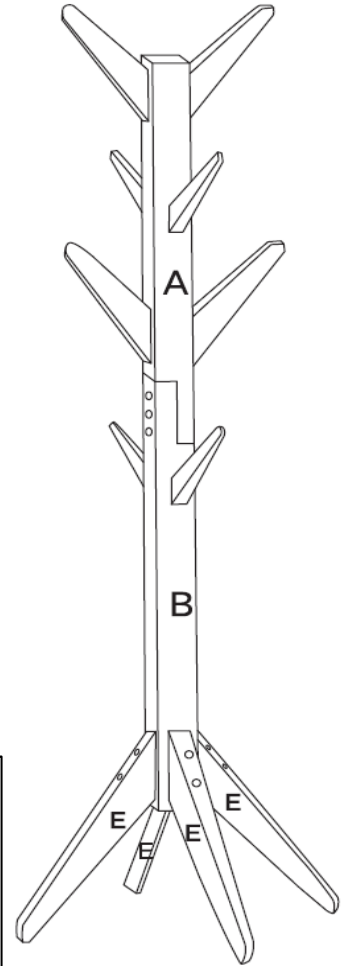
## Contents

- 1 Front Cover
- 
- 2 Safety Instructions
- 
- 2 Warning Instructions
- 
- 3 Assembly Instructions
- 
- 4 Back Cover

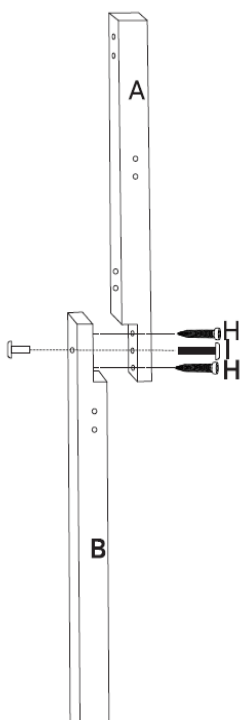
### Parts List:

- If you are missing any of the below parts, please contact [cservice@oypla.com](mailto:cservice@oypla.com)
- Please be aware that you will be referring to this parts list throughout the assembly process.

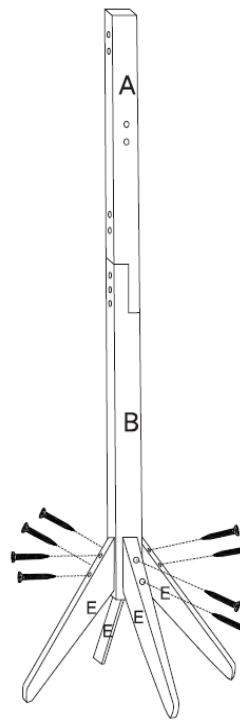
NO.	Parts List:	(PCS)
A	upper pillar 	1
B	following pillar 	1
C	long hanging board 	4
D	short hanging board 	4
E	bracket 	4
F	allen wrench 	1
G	cross self tapping screw 	24
H	hexagon socket head screw 	2
I	bolts and nuts 	1



**Step 1**  
Fix the part A on Part B.



**Step 2**  
Fix Part E on Part B.



End

## Contents

---

1	Front Cover
-	-
2	Safety
	Instructions
-	-
2	Warning
	Instructions
-	-
3	Assembly
	Instructions
-	-
4	Back Cover
	End

## HAVE A QUESTION ABOUT YOUR PURCHASE?

Our dedicated customer services team are happy to help. Contact them via:

**Telephone:** 020 3600 22 55  
**Email:** [cservice@oypla.com](mailto:cservice@oypla.com)  
**Live Chat:** [WWW.OYPLA.COM](http://WWW.OYPLA.COM)

## CONSIDER THE ENVIRONMENT!

In the United Kingdom, approximately 5 billion corrugated boxes are used per year, amounting to around 83 per person! By recycling the cardboard box in which this product was packed, you contribute to the preservation and sustainability of the environment.

If you see a recycling logo on the packaging of your product, such as the below examples, that piece of packaging is recyclable. If there is not a recycling logo, please check with your local authorities before recycling.



PLEASE RETAIN A COPY OF THESE INSTRUCTIONS FOR FUTURE CONSULTATION

# OYPLA.COM

AN OFFICIAL OYPLA BRANDED PRODUCT