

OYPLA<sup>TM</sup>

---

# LEISURE

---

THANK YOU FOR YOUR ORDER



# Makeup Chair

USER MANUAL Model No: 4418

# Safety Instructions

**Notice: Ensure you read and fully understand instructions before use**

While every attempt is made to ensure the highest degree of protection in all equipment, we cannot guarantee freedom from injury. The user assumes all risk of injury due to use. All merchandise is sold on this condition, which no representative of the company can waive or change.

- Make sure all fastenings are tightly in place and that everything is in order before using the product. This should be checked periodically by an adult.
- Unpacking of the product is to be completed by an adult.
- This product is not a toy, and is only to be used for its designated purpose.
- Do not carry out alterations or modifications to this product.
- Children should be supervised at all times when using the product.
- Clean only with a damp cloth. Do not use strong industrial cleaning substances.
- Leaving the product outside exposed to weather, especially direct sun and rain, will speed the weathering process. This can be slowed by removing the product from these conditions.
- Keep fingers, loose clothing, and hair away when folding the product.
- Pinch points can cause personal injury.
- Only use this product on stable and level ground.
- Keep away from fire.
- If the product is damaged or has any defects, please contact [cservice@oypla.com](mailto:cservice@oypla.com)

**DO NOT EXCEED THE MAXIMUM WEIGHT OF 110KG.**

# Assembly Instructions






## Parts List:

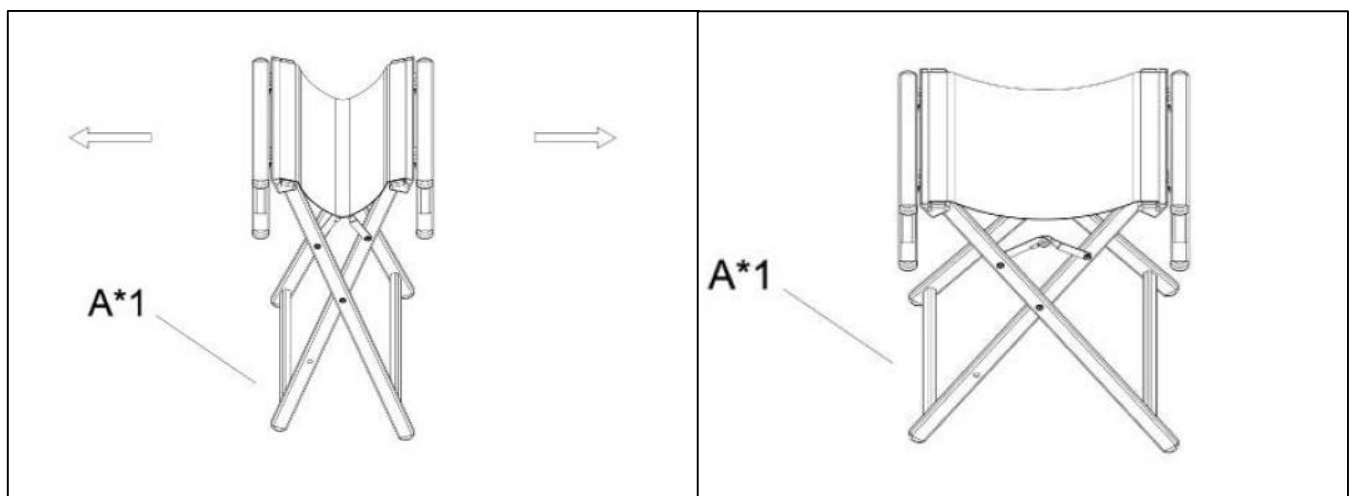
Please check you have all parts below before attempting to assemble this product.

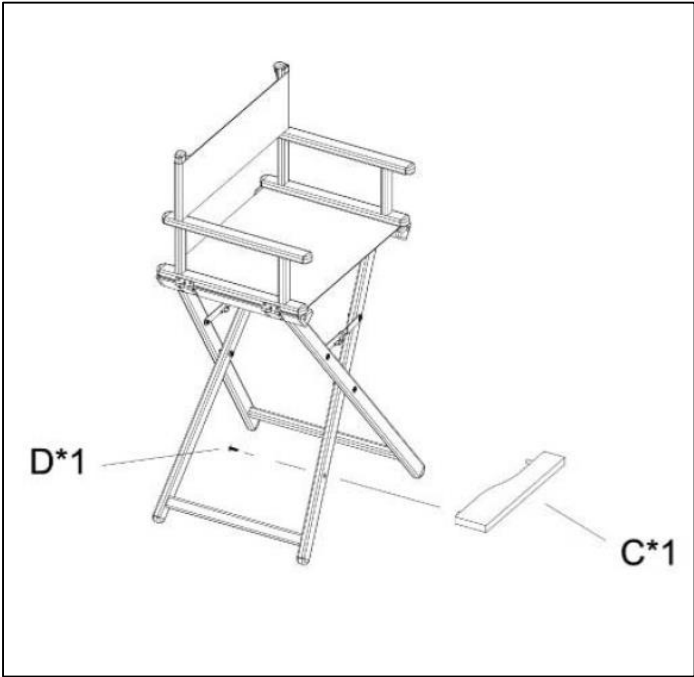
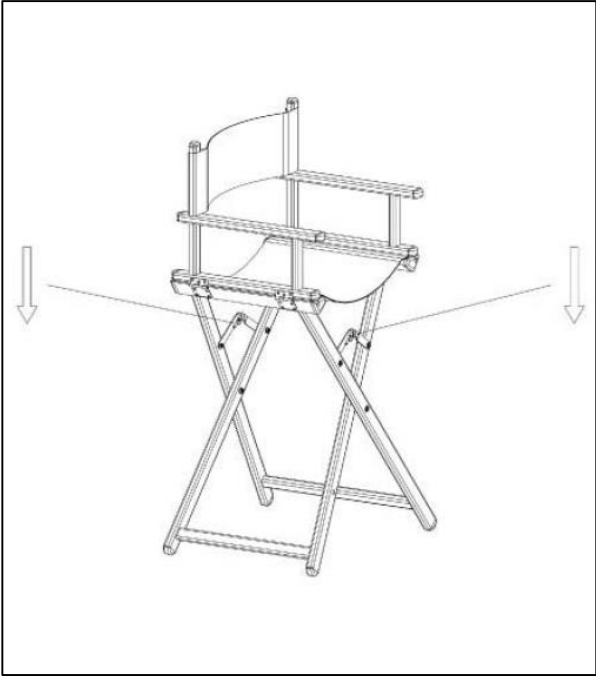
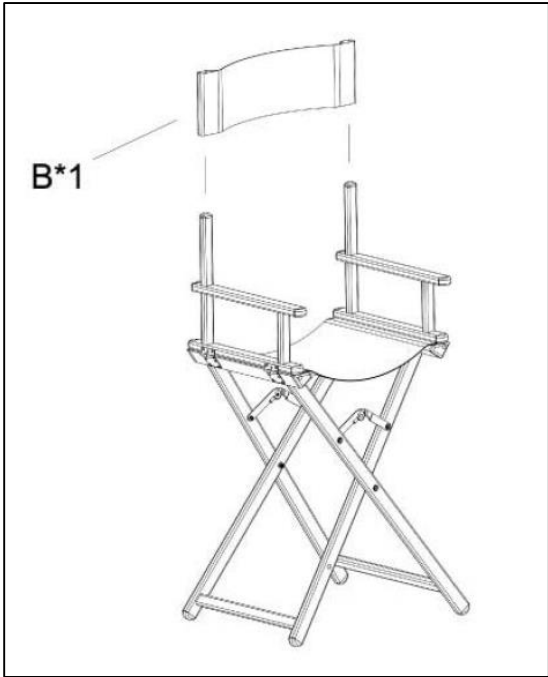
If you are missing any of the below parts, please contact Oypla customer services:

[cservice@oypla.com](mailto:cservice@oypla.com)

Please be aware you will be referring to this parts list throughout the assembly process.

 <b>A*1</b>	 <b>B*1</b>	 <b>C*1</b>
$\Phi 8 \times 40 \text{mm}$  <b>D*1</b>	5mm  <b>E*1</b>	





---

## HAVE A QUESTION ABOUT YOUR PURCHASE?

Our dedicated customer services team are happy to help. Contact them via:

**Telephone:** 020 3600 22 55  
**Email:** [cservice@oypla.com](mailto:cservice@oypla.com)  
**Live Chat:** [WWW.OYPLA.COM](http://WWW.OYPLA.COM)

---

## CONSIDER THE ENVIRONMENT!

In the United Kingdom, approximately 5 billion corrugated boxes are used per year amounting to around 83 per person! By recycling the cardboard box in which this product was packed, you contribute to the preservation and sustainability of the environment.

If you see a recycling logo on the packaging of your product, such as the below examples, that piece of packaging is recyclable. If there is not a recycling logo, please check with your local authorities before recycling.



---

PLEASE RETAIN A COPY OF THESE INSTRUCTIONS FOR FUTURE CONSULTATION

# OYPLA.COM

AN OFFICIAL OYPLA BRANDED PRODUCT

Imported by Oypla.com LLP, Uxbridge, UB8 2FX

**USER MANUAL Model No: 4418**