

DIY

THANK YOU FOR YOUR ORDER



Set of 2 Saw Horses

USER MANUAL Model No: 4395

Safety Instructions

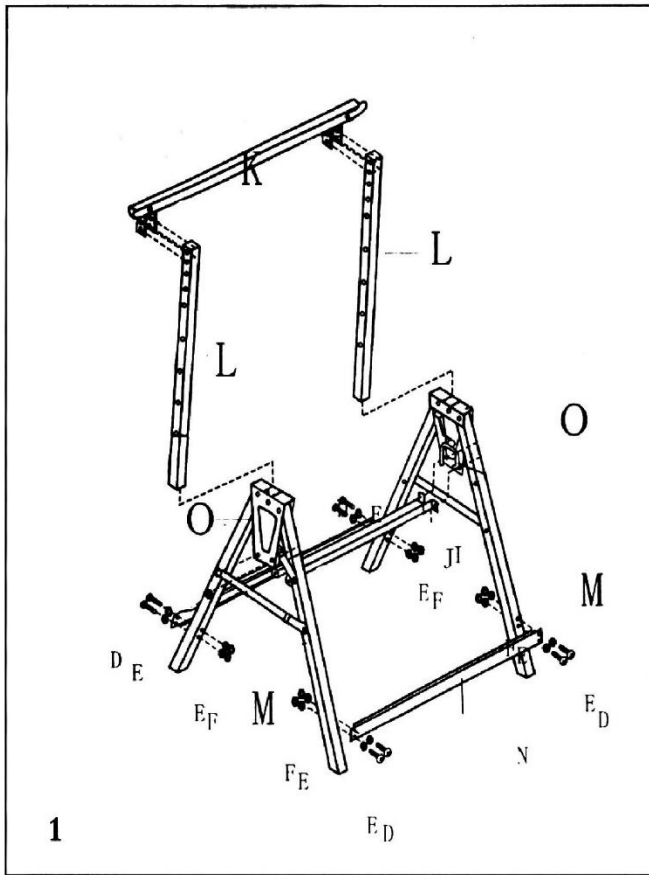
Notice: Ensure you read and fully understand instructions before use

While every attempt is made to ensure the highest degree of protection in all equipment, we cannot guarantee freedom from injury. The user assumes all risk of injury due to use. All merchandise is sold on this condition, which no representative of the company can waive or change.

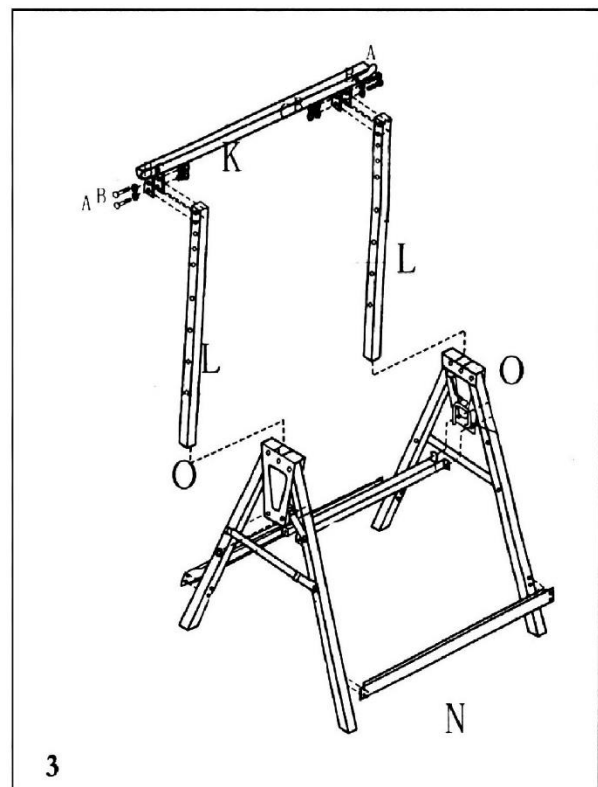
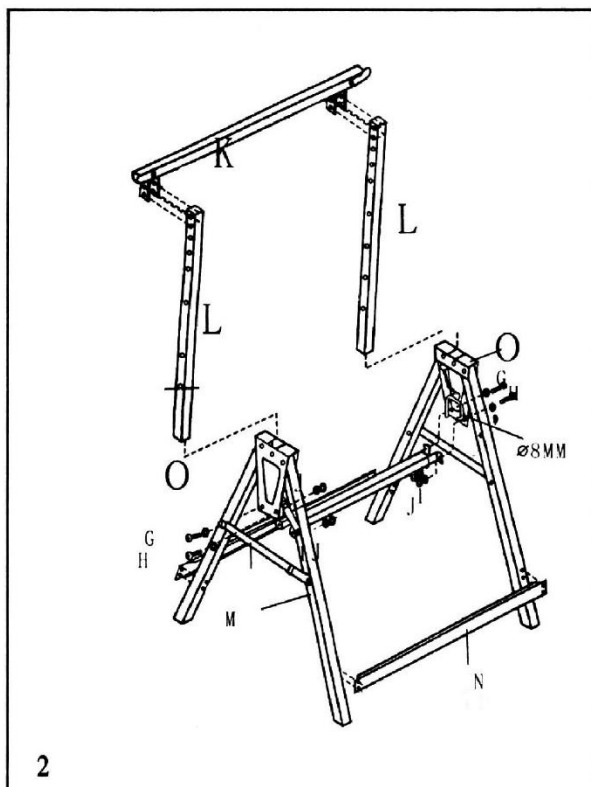
- This product is not a toy, and is only to be used for its designated purpose.
- Never carry out any alterations or modifications to this product.
- Only use with legs fully opened and top bar correctly locked into place.
- Never exceed the maximum load capacity of 100kg (200kg if used as a pair), or it may result in product failure or personal injury.
- Ensure all fixings are in place and tightened before every use.
- Clean only with a damp cloth. Do not use strong industrial cleaning substances or abrasive materials as these will damage the product.
- Wear appropriate protective footwear, gloves, dust mask and eye protection at all times when using this product.
- Leaving the product outside exposed to weather, especially direct sun, rain and salt air, will speed the weathering process. This can be slowed by removing the product from these conditions, or covering it with a suitable cover.
- Only use this product on stable, level and dry ground.
- If the product is damaged or has any defects, please contact cservice@oypla.com

Assembly Instructions

- Please note that this parts list is for **one** trestle



A 4X M6x45	F 8X M6	K 1X 25X25
B 4X M6	G 2X M5x12	L 2X 25x25
C 4X M6	H 2X M5x12	M 4X LXW:25MMX25MM
D 8X M6x35	I 4X M5	N 2X
E 8X M6	J 4X M5	O 2X



HAVE A QUESTION ABOUT YOUR PURCHASE?

Our dedicated customer services team are happy to help. Contact them via:

Telephone: 020 3600 22 55
Email: cservice@oypla.com
Live Chat: WWW.OYPLA.COM

CONSIDER THE ENVIRONMENT!

In the United Kingdom, approximately 5 billion corrugated boxes are used per year amounting to around 83 per person! By recycling the cardboard box in which this product was packed, you contribute to the preservation and sustainability of the environment.

If you see a recycling logo on the packaging of your product, such as the below examples, that piece of packaging is recyclable. If there is not a recycling logo, please check with your local authorities before recycling.



PLEASE RETAIN A COPY OF THESE INSTRUCTIONS FOR FUTURE CONSULTATION

OYPLA.COM

AN OFFICIAL OYPLA BRANDED PRODUCT

Imported by Oypla.com LLP, Uxbridge, UB8 2FX

USER MANUAL Model No: 4395