

DIY

THANK YOU FOR YOUR ORDER

Contents

- 1 **Front Cover**
-
- 2 **Safety Instructions**
-
- 3 **Assembly Instructions**
-
- 4 **Back Cover**

End



Roller Stand

Contents

1	Front Cover
2	Safety Instructions
3	Assembly Instructions
4	Back Cover

End

Safety Instructions

Notice: Ensure you read and fully understand instructions before use

While every attempt is made to ensure the highest degree of protection in all equipment, we cannot guarantee freedom from injury. The user assumes all risk of injury due to use. All merchandise is sold on this condition, which no representative of the company can waive or change.

- This product is not a toy, and is only to be used for its designated purpose.
- Never carry out any alterations or modifications to this product.
- Only use with legs fully opened and roller locked into place.
- Never exceed the maximum load capacity of 60kg, or it may result in product failure or personal injury.
- Ensure all fixings are in place and tightened before every use.
- Clean only with a damp cloth. Do not use strong industrial cleaning substances or abrasive materials as these will damage the product.
- Wear appropriate protective footwear, gloves, dust mask and eye protection at all times when using this product.
- If at any time during activity you feel faint, dizzy, experience pain, stop and consult your physician or doctor.
- Leaving the product outside exposed to weather, especially direct sun, rain and salt air, will speed the weathering process. This can be slowed by removing the product from these conditions, or covering it with a suitable cover.
- Only use this product on stable, level and dry ground.
- If the product is damaged or has any defects, please contact cservice@oypla.com

Contents

- 1 Front Cover
-
- 2 Safety Instructions
-
- 3 **Assembly Instructions**
-
- 4 Back Cover

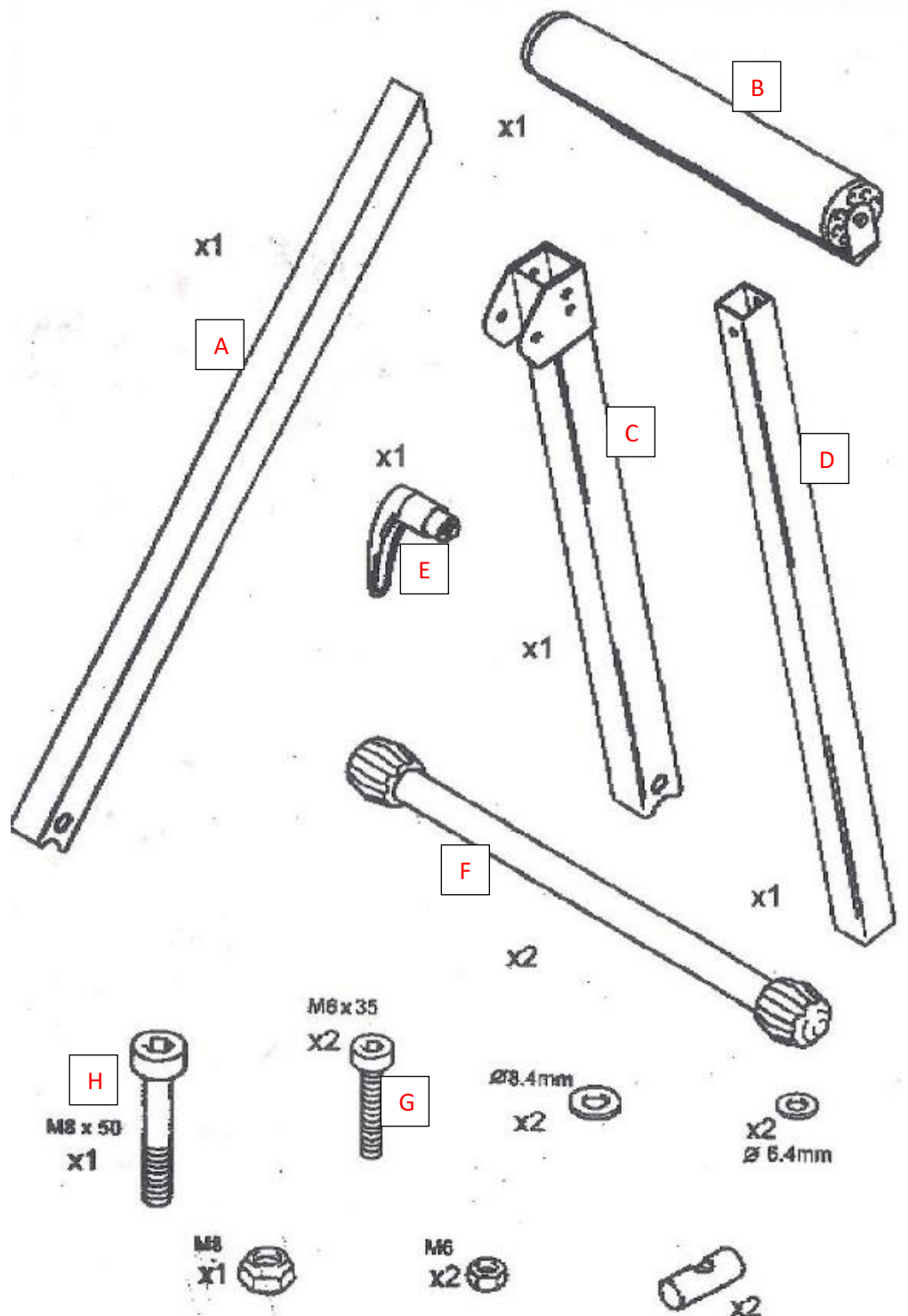
End

Assembly Instructions

Parts List:

If you are missing any of the below parts, please contact cservice@oypla.com

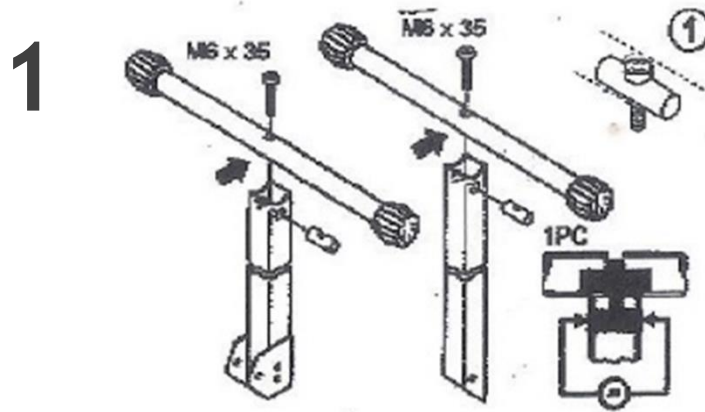
Please be aware that you will be referring to this parts list throughout the assembly process.



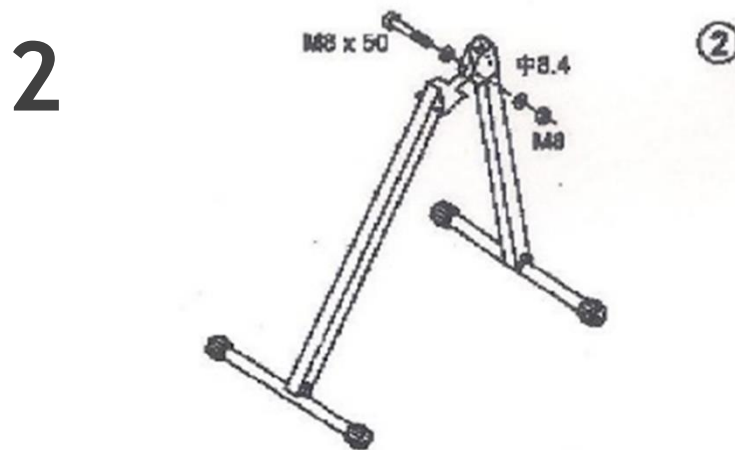
Contents

- 1 Front Cover
-
- 2 Safety Instructions
-
- 3 **Assembly Instructions**
-
- 4 Back Cover

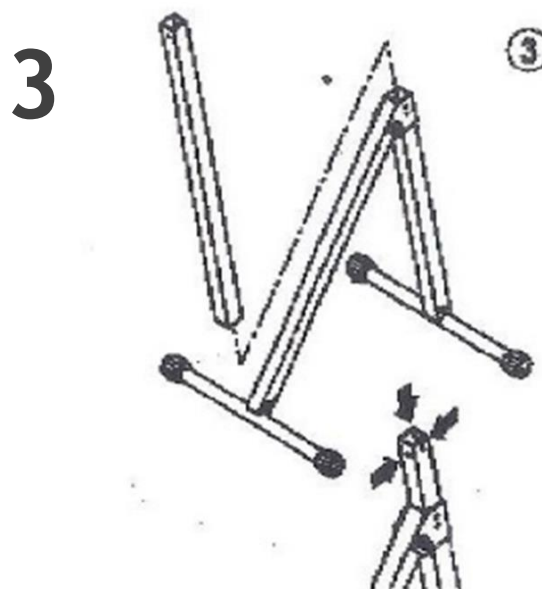
End



Firstly, connect both of part **F** to part **C** and **A** using the inside screw mechanism. Ensure part **F** is positioned in the curve end of part **C** and **A**. See diagram.



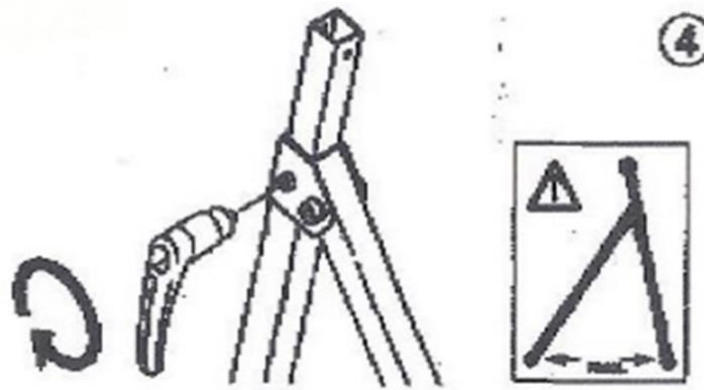
Now, join part **C** with part **A**; ensuring that the holes align. Fasten with the larger bolt, washer and nut. Part **F** are now the legs and should be on the ground.



Contents

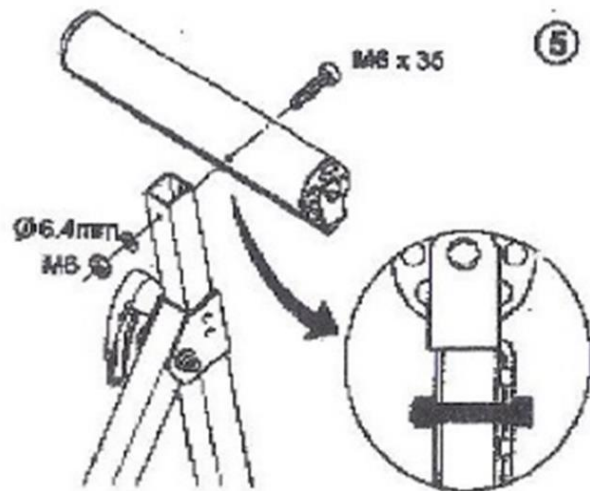
- 1 Front Cover
-
- 2 Safety Instructions
-
- 3 **Assembly Instructions**
-
- 4 **Back Cover**

End



Next, insert part **D** into part **C**. Ensure the holes are symmetrical to part **D** (not facing sideways). Then, attach part **D** to part **C** using the other large washer. This is securing part **D** into place so adjust the height you want your roller now. You can adjust at any time.

4



Lastly, attach part **B** to part **D** using the two smaller bolts, washers and nuts.

HAVE A QUESTION ABOUT YOUR PURCHASE?

Our dedicated customer services team are happy to help.

- Telephone: 020 3600 22 55
- Email: cservice@oypla.com
- Live Chat: www.oypla.com

PLEASE RETAIN A COPY OF THESE INSTRUCTIONS FOR FUTURE CONSULTATION

OYPLA.COM

An Official OYPLA Branded Product