

KIDS

THANK YOU FOR YOUR ORDER

Contents

1	Front Cover	-
2	Safety Instructions	-
2	Warning Instructions	-
3	Assembly Instructions	-
6	Cleaning and Maintenance	-
6	Back Cover	-



Wooden Sand Pit

Contents

1	Front Cover
-	-
2	Safety Instructions
-	-
2	Warning Instructions
-	-
3	Assembly Instructions
-	-
6	Cleaning and Maintenance
-	-
6	Back Cover


Safety Instructions

Notice: Ensure you read and fully understand instructions before use

While every attempt is made to ensure the highest degree of protection in all equipment, we cannot guarantee freedom from injury. The user assumes all risk of injury due to use. All merchandise is sold on this condition, which no representative of the company can waive or change.

- Make sure all fastenings are tightly in place and that everything is in order before using the product. This should be checked periodically by an adult.
- This product is not a toy, and is only to be used for its designated purpose.
- Move to the final position before filling the planter.
- Only use this product on stable, level and dry ground.
- This is a garden planter, do not use as a wheelbarrow.
- Do not discard any of the packaging until you have checked that you have all of the parts and fittings required.
- This product is intended for outdoor use only.
- Leaving the product outside exposed to weather, especially direct sun and rain, will speed the weathering process. This can be slowed by removing the product from these conditions.
- This product contains small parts that could be a choking hazard if swallowed. Keep these items away from children.
- Use the correct fixings as indicated. Do not tighten any of the nuts until the unit is completely assembled, then finish by tightening all nuts. All nuts must be tightened before use.
- If the product is damaged or has any defects, please contact cservice@oypla.com.

Warnings

 Keep small parts away from children. These could be a choking hazard if swallowed.

Contents

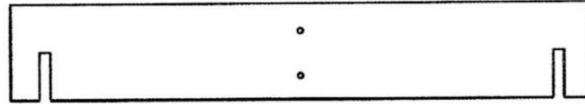
- 1 Front Cover
-
- 2 Safety Instructions
-
- 2 Warning Instructions
-
- 3 Assembly Instructions
-
- 6 Cleaning and Maintenance
-
- 6 Back Cover

Assembly Instructions

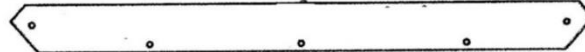
Parts List:

- If you are missing any of the below parts, please contact cservice@oypla.com
- Please be aware that you will be referring to this parts list throughout the assembly process.

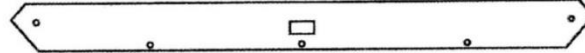
A: 4pcs



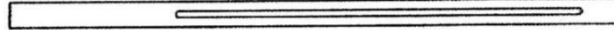
B: 2pcs



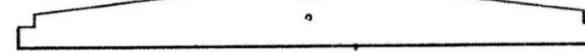
C: 2pcs



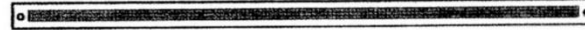
D: 2pcs



E: 2pcs



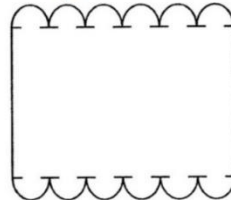
F: 1pc



G: 2pcs



H: 1pc



J: 1pc



#1: 2pcs



#2: 3*35mm 6pcs



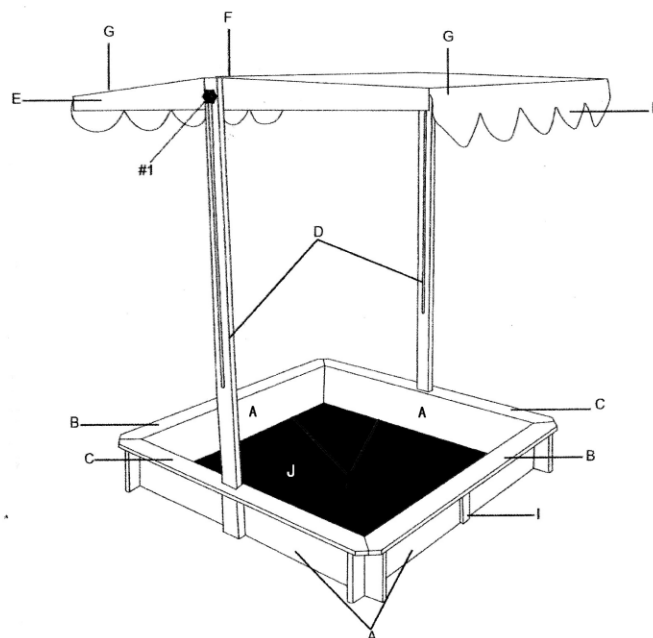
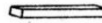
#3: 3.5*30mm 8pcs



#4: 3*25mm 20pcs

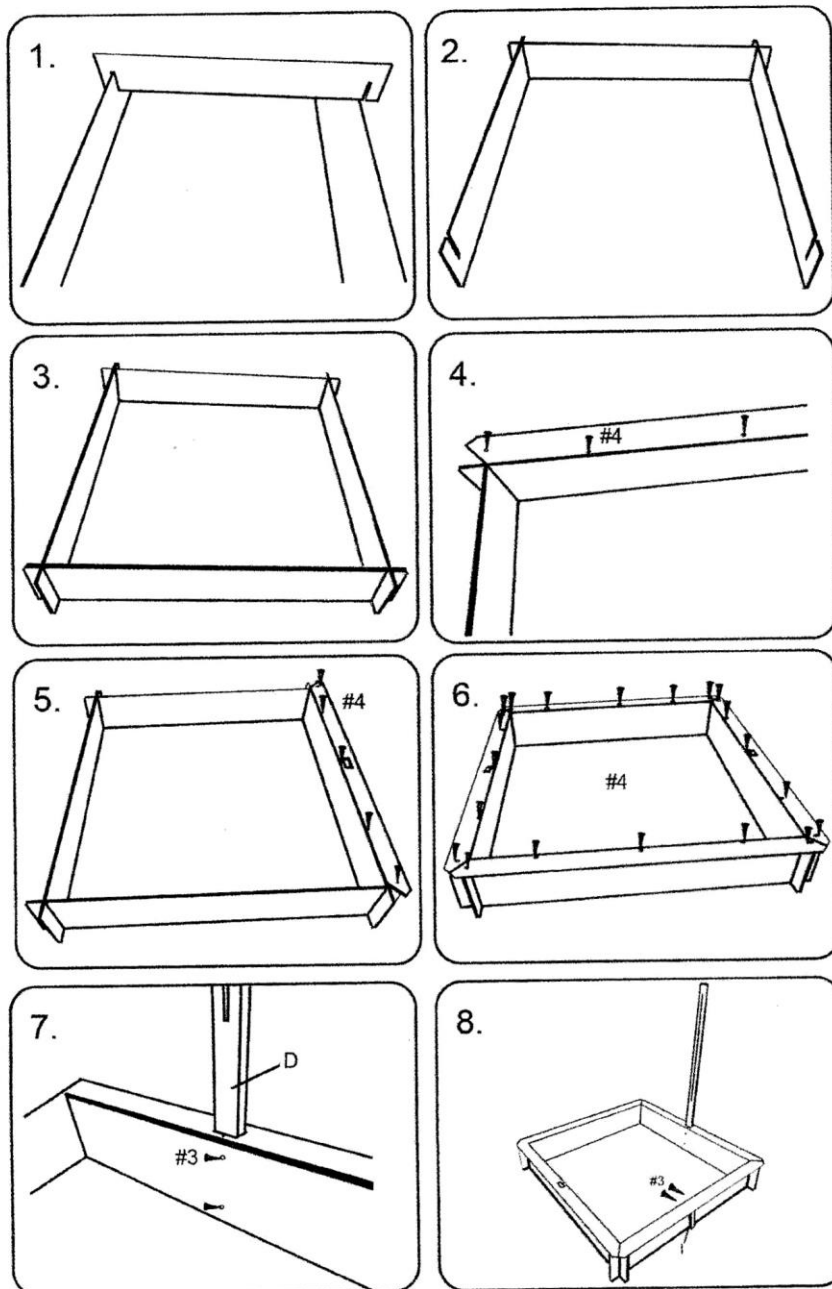


I: 2pcs



Contents

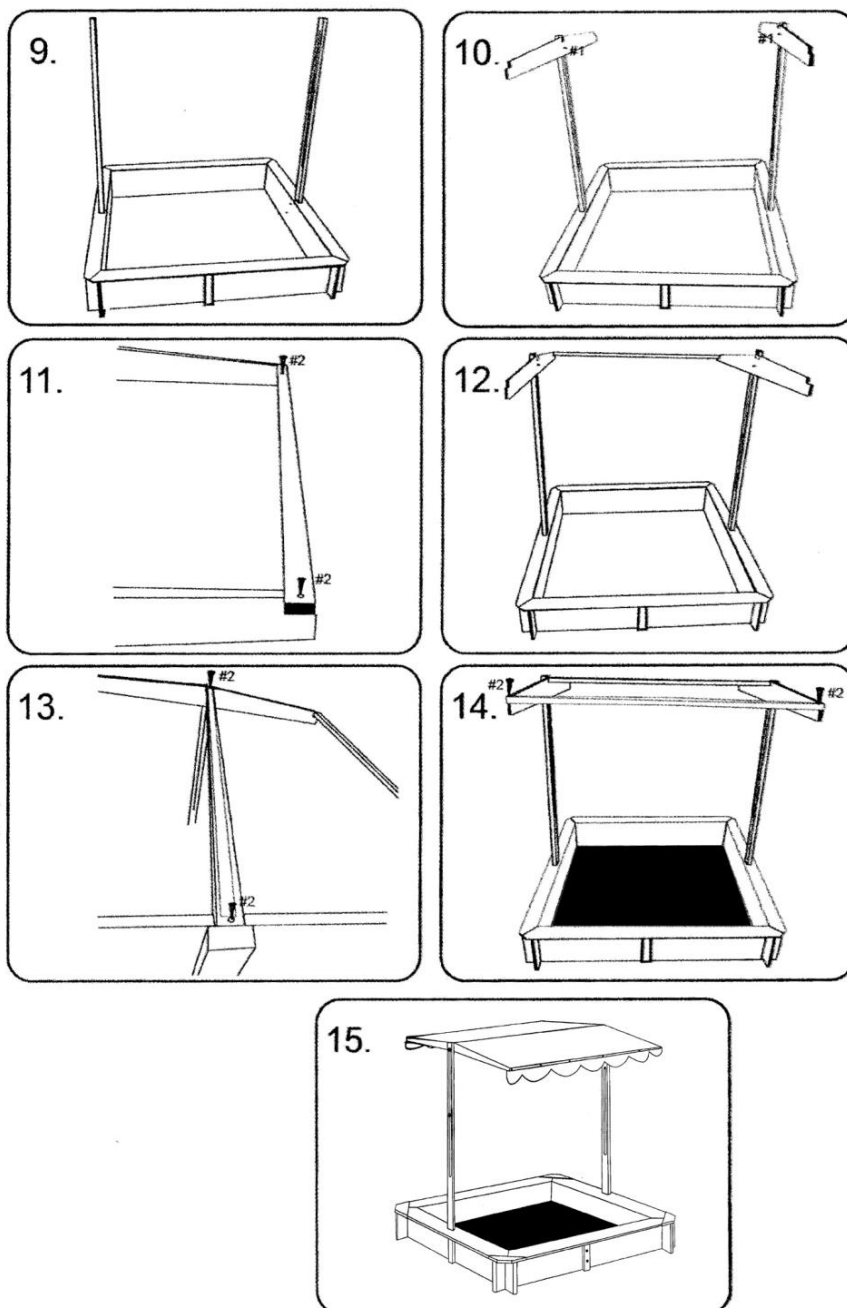
1	Front Cover
-	-
2	Safety Instructions
-	-
2	Warning Instructions
-	-
3	Assembly Instructions
-	-
6	Cleaning and Maintenance
-	-
6	Back Cover



1. Slot two of the frame sections (A) together, with the grooves of the rear section facing down and of the side section facing up.
2. Slot together the second side section.
3. Slot together the final section.
4. Line up the frame top (C) with the top of the frame, making sure that all the screw holes correspond to the correct position on the frame.
5. Secure the frame top into place using five #4 screws.
6. Secure the remaining three frame tops, ensuring that the (C) tops are placed at the side and the (B) tops and placed at the front and back.
7. Slide the roof supports (D) through the holes in the side frame tops and secure using two #3 screws on each side.
8. Attach the frame top support pieces (I) to the front and back of the frame using two #3 screws on each side.

Contents

1	Front Cover
-	-
2	Safety Instructions
-	-
2	Warning Instructions
-	-
3	Assembly Instructions
-	-
6	Cleaning and Maintenance
-	-
6	Back Cover



9. Check that the roof supports are correctly secured and are in a straight position.

10. Attach the roof frames (E) to the roof supports using a #1 screw on each side.

11. Attach a roof support bar (G) at the side of the roof frame using two #2 screws.

12. Once the first bar is secured, make sure that the roof frame is straight.

13. Attach the central roof support bar (F) in the centre of the roof frame using two #2 screws.

14. Attach the remaining roof support bar.

15. Fit the canopy on top of the roof frame and insert the ground sheet into the base before filling with sand.

Contents

1	Front Cover
-	-
2	Safety Instructions
-	-
2	Warning Instructions
-	-
3	Assembly Instructions
-	-
6	Cleaning and Maintenance
-	-
6	Back Cover

Cleaning & Maintenance

Please refer to the instructions below in regards to cleaning and maintaining your product.

- Preserve the wood using timber treatment. Follow the directions on the can after first checking that it is not harmful to plants.

HAVE A QUESTION ABOUT YOUR PURCHASE?

Our dedicated customer services team are happy to help. Contact them via:

Telephone: 020 3600 22 55
Email: cservice@oypla.com
Live Chat: WWW.OYPLA.COM

CONSIDER THE ENVIRONMENT!

In the United Kingdom, approximately 5 billion corrugated boxes are used per year, amounting to around 83 per person! By recycling the cardboard box in which this product was packed, you contribute to the preservation and sustainability of the environment.

If you see a recycling logo on the packaging of your product, such as the below examples, that piece of packaging is recyclable. If there is not a recycling logo, please check with your local authorities before recycling.



PLEASE RETAIN A COPY OF THESE INSTRUCTIONS FOR FUTURE CONSULTATION

OYPLA.COM

AN OFFICIAL OYPLA BRANDED PRODUCT

