



Out of this world savings.

User Manual

Model: **4339**



Wooden Planter

Safety Information

Please ensure you read and fully understand instructions before use

While every attempt is made to ensure the highest degree of protection in all equipment, we cannot guarantee freedom from injury. The user assumes all risk of injury due to use. All merchandise is sold on this condition, which no representative of the company can waive or change.

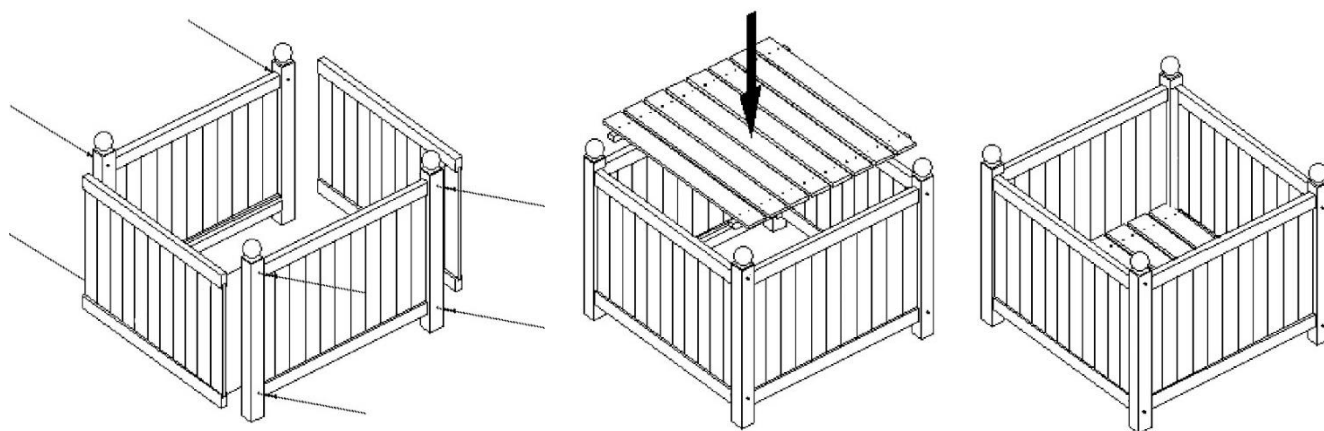
-
- Make sure all screws are tightly in place and that everything is in order before using the product. This should be checked periodically by an adult.
 - This product is not a toy, and is only to be used for its designated purpose.
 - Move to the final position before filling the planter.
 - Only use this product on stable, level and dry ground.
 - Do not discard any of the packaging until you have checked that you have all of the parts required.
 - This product is intended for outdoor use only.
 - This product contains small parts that could be a choking hazard if swallowed. Keep these items away from children.
 - If the product is damaged or has any defects, please contact cservice@oypla.com

Assembly Instructions

Please refer to the below information to help assemble your Oypla product

If you require assistance with the assembly of your Oypla product, please contact our dedicated team at cservice@oypla.com.

Simply align the panels using the notches provided, and use the screws to secure into place. The base should then slot nicely into the structure you have created.



Lining the planter is required before usage. We recommend using polythene sheeting. Ensure to create a few holes in the bottom of the sheeting for adequate drainage.

We also strongly recommend preserving the wood using timber treatment. Follow the directions on the treatment's packaging after first checking that it is not harmful to plants.

Have a Question About Your Purchase?

Our dedicated customer services team are happy to help. Contact them via:

Telephone: 020 3600 22 55
Email: cservice@oypla.com
Live Chat: www.oypla.com

Consider the Environment!

By recycling the cardboard box in which this product was packed, you contribute towards helping the environment. If you see a recycling logo such as the below on the packaging, it can be recycled. If a recycling logo is not present, please check with your local authority before recycling.



PLEASE RETAIN A COPY OF THESE INSTRUCTIONS FOR FUTURE CONSULTATION

An Official Oypla Branded Product

Imported by Oypla.com LLP, Uxbridge, UB8 2FX

User Manual

Model Code: 4339

Oypla.com LLP / cservice@oypla.com