



COLOUR MAY VARY

3 Tier Storage Cart

Safety Instructions

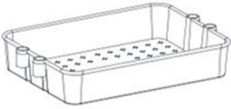









Notice: Please read all instructions carefully before using this product.

- Make sure all fastenings are tightly in place and that everything is in order before using the product. This should be checked periodically by an adult.
- This product is not a toy, and is only to be used for its designated purpose.
- This product is intended for indoor use only.
- The weight capacity of the top shelf is 16.5kg and the lower shelves is 22.5kg. Do not exceed this amount.
- Clean only with a damp cloth. Do not use abrasive cleaners or detergents.
- Do not discard any of the packaging until you have checked that you have all of the parts and fittings required.
- If the product is damaged or has any defects, please contact cservice@oypla.com

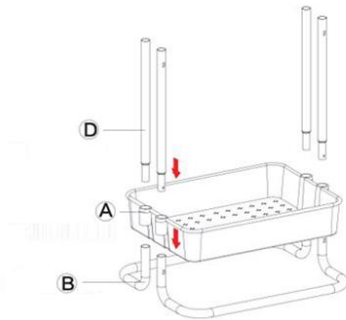
Assembly Instructions

Parts List

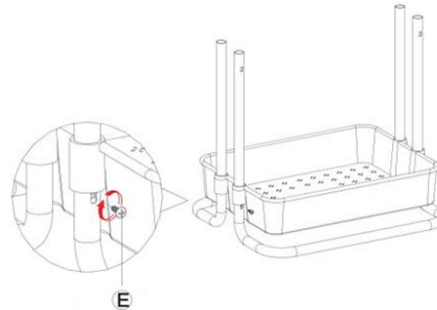
If you are missing any of the below parts please contact cservice@oypla.com

<p>A Basket</p>  <p>3/PCS</p>	<p>B Bottom pole</p>  <p>2/PCS</p>	<p>C Handle</p>  <p>1/PC</p>	<p>D Support pole</p>  <p>8/PCS</p>	<p>E Screw</p>  <p>one spare piece 12/PCS</p>
<p>F Cover</p>  <p>2/PCS</p>	<p>G Caster</p>  <p>with lock 2/PCS</p>  <p>no lock 2/PCS</p>	<p>H Screwdriver</p>  <p>1/PC</p>	<p>I Spanner</p>  <p>1/PC</p>	

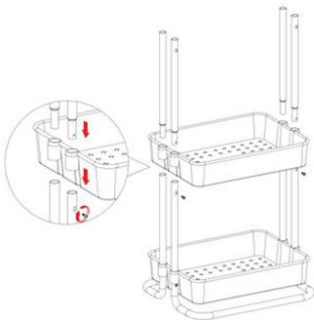
- 1** Fit the first basket (A) onto the bottom poles (B) and insert four support poles (D).



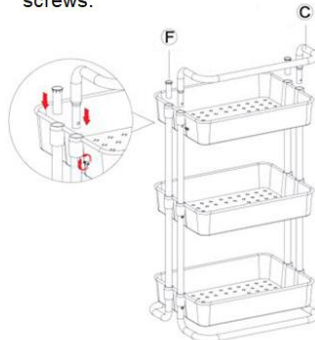
- 2** Align the holes in the bottom pole with those in the support poles and secure using four screws (E).



- 3** Install the remaining two baskets using the same method.



- 4** Insert the covers (F) into one side of the support poles. Insert the handle (C) into the other side and secure with two screws.



- 5** Insert the casters (G) into the bottom pole and secure using the spanner.



HAVE A QUESTION ABOUT YOUR PURCHASE?

OUR DEDICATED CUSTOMER SERVICES TEAM ARE HAPPY TO HELP
CONTACT THEM VIA:

TELEPHONE: 020 3600 2255

EMAIL: cservice@oypla.com

LIVE CHAT: www.oypla.com

PLEASE RETAIN A COPY OF THESE INSTRUCTIONS FOR FUTURE CONSULTATION

OYPLA.COM

An Official OYPLA Branded Product

Imported by Oypla.com LLP, Uxbridge, UB8 2FX

USER MANUAL Model No: 4326/4565