



# Roof Bike Carrier

# Safety Instructions

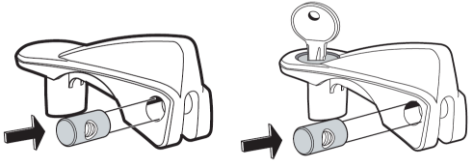
Please read the entire instruction manual before using the product and then save it for future reference. We reserve the right for any errors in text or images and any necessary changes made to technical data. In the event of technical problems or other queries, please contact our Customer Services.

- Due to the variety in design of vehicles and bicycles, it is the user's full responsibility to ensure no damage occurs whilst using this bike carrier. Correct attachment of the carrier to a vehicle is therefore critical and is beyond control of the manufacturer, distributor or supplier.
- The user must secure the carrier and any bicycles to be carried properly, checking the security frequently when in use.
- Each time before use, check the carrier for security of fittings or any sign of wear and tear. Replace any worn or damaged parts.
- Do not use the bike carrier if any parts are missing or damaged as this may cause failure and/or personal injury.
- This carrier is designed to carry a maximum of 1 bicycle. Check the vehicle manufacturer's specification to ensure that you do not overload the roof bars.
- Remove any loose objects from the bicycles e.g. pumps, bottles, etc.
- Do not use the bicycle carrier for any purposes other than for which it is designed.
- Do not strap any other items to the carrier other than bicycles.
- Drive carefully – be aware of cross winds, sudden braking or hard cornering; reduce speed accordingly when using the carrier.
- Ensure you are aware of the total height of your car with the bike attached before transport.
- This carrier is designed for temporary use only. Remove when not in use or before going through a car wash.
- Remember the driver of the vehicle is responsible for the security and safety of the load carried.
- This product is not intended for use by persons (including children) with reduced physical, sensory and mental capacities, or lack of experience and knowledge, unless they have been given supervision or instruction concerning use of the product by persons responsible for their safety.
- If the product is damaged or has any defects, please contact [cservice@oypla.com](mailto:cservice@oypla.com).

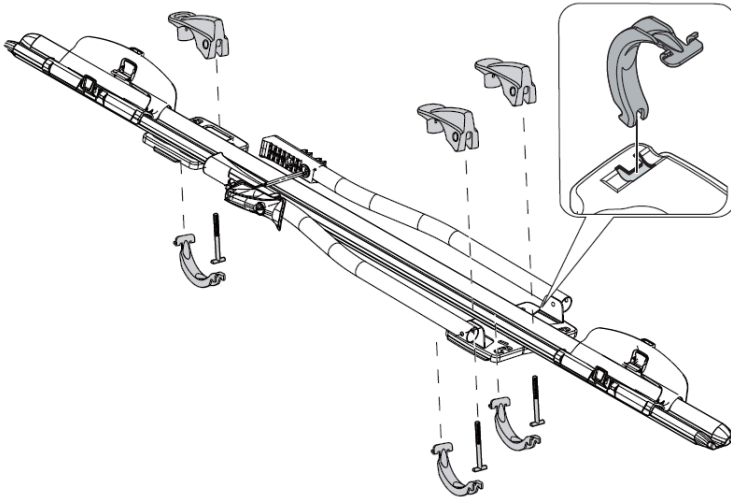
# Operating Instructions

## Installation Instructions

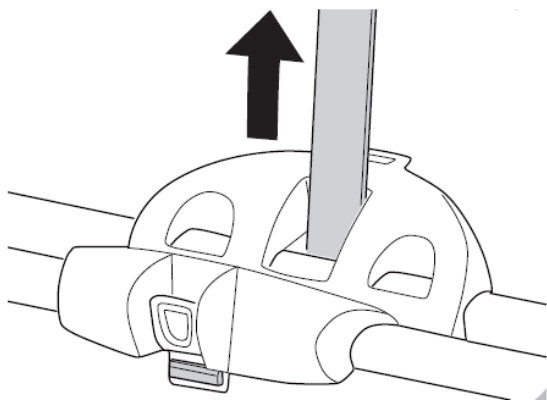
1. Insert the nut into the clamps.



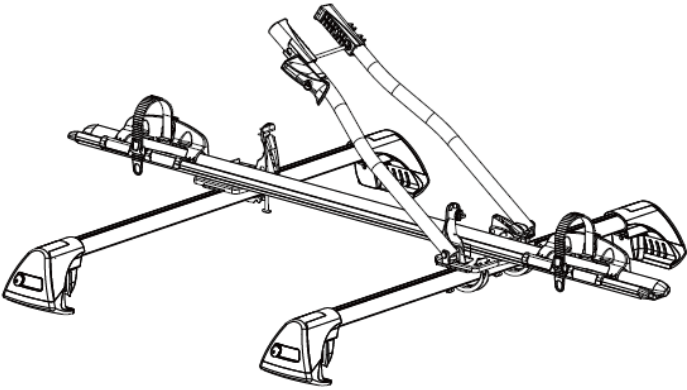
2. Attach the clamps and mounting clips to the bike carrier using the T-shaped bolts.



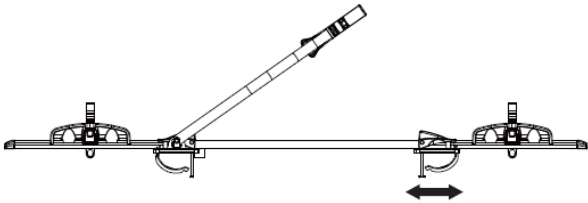
3. Attach the locking straps to the carrier.



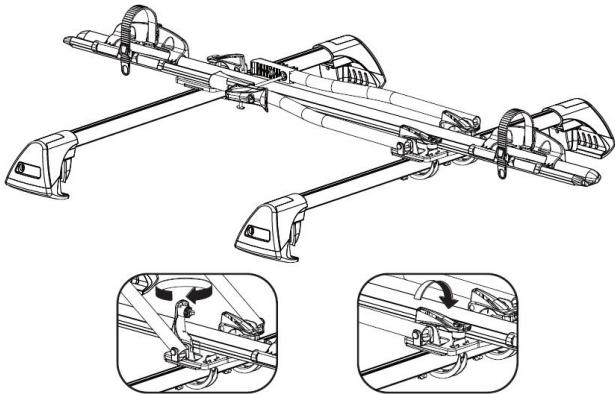
4. Place the bike carrier onto the roof rails.



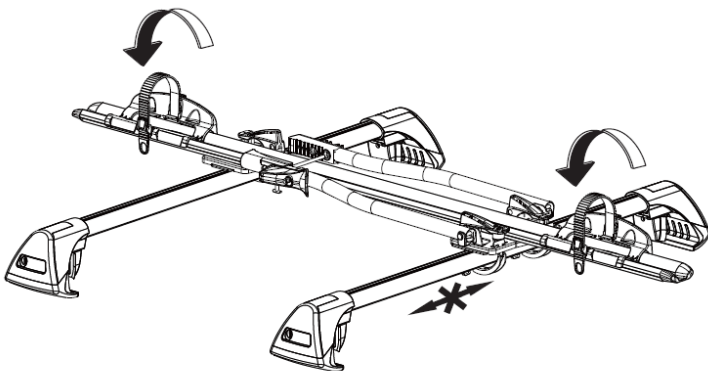
5. Adjust the clamps according to the roof rails, ensuring that the bike carrier is mounted centrally.



6. Adjust the clamps so the carrier is perpendicular to the roof rails and fix in place using the mounting clips.



7. Once the carrier is in place, remove the key and check that it is securely installed. Strap the front wheels to the carrier and fix the support arm onto the frame of the bike.



**HAVE A QUESTION ABOUT YOUR PURCHASE?**

OUR DEDICATED CUSTOMER SERVICES TEAM ARE HAPPY TO HELP  
CONTACT THEM VIA:

**TELEPHONE:** 020 3600 2255

**EMAIL:** [cservice@oypla.com](mailto:cservice@oypla.com)

**LIVE CHAT:** [www.oypla.com](http://www.oypla.com)

PLEASE RETAIN A COPY OF THESE INSTRUCTIONS FOR FUTURE CONSULTATION

**OYPLA.COM**

An Official OYPLA Branded Product

Imported by Oypla.com LLP, Uxbridge, UB8 2FX

**USER MANUAL Model No: 4270**