

OYOLATM GARDEN



Rolling Garden

Safety Instructions









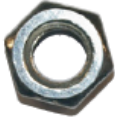





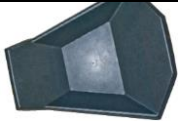






Notice: Ensure you read and fully understand instructions before use

While every attempt is made to ensure the highest degree of protection in all equipment, we cannot guarantee freedom from injury. The user assumes all risk of injury due to use. All merchandise is sold on this condition, which no representative of the company can waive or change.

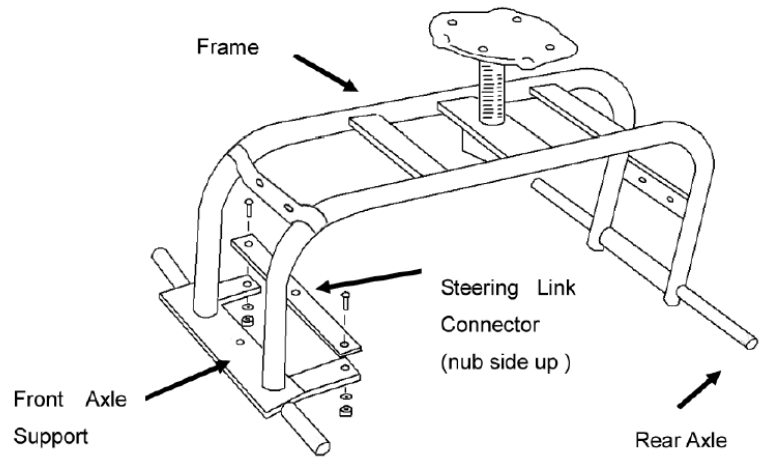
- If at any time during activity you feel faint, dizzy or experience pain, stop and consult your physician or doctor.
- Make sure all fastenings are tightly in place and that everything is in order before using the product. This should be checked periodically by an adult.
- Unpacking, installing and fixing the parts are to be completed by an adult.
- This product is not a toy, and is only to be used for its designated purpose.
- Do not carry out alterations or modifications to this product.
- This product is not suitable for use by children.
- Clean only with a damp cloth. Do not use strong industrial cleaning substances.
- Leaving the product outside exposed to weather, especially direct sun and rain, will speed the weathering process. This can be slowed by removing the product from these conditions.
- Never exceed the maximum load capacity of 150kg, or it may result in product failure and/or personal injury.
- Take care when sitting on the seat as it is able to rotate 360°.
- Do not attempt to stand on the rolling garden seat.
- Do not attempt to pick up the rolling garden seat if it has items loaded on it.
- Pinch points can cause personal injury.
- This product is not intended for use by persons (including children) with reduced physical, sensory and mental capacities, or lack of experience and knowledge, unless they have been given supervision or instruction concerning use of the product by persons responsible for their safety.
- Only use this product on stable and level ground.
- Do not discard any of the packaging until you have checked that you have all of the parts and fitting required.
- Use the correct fixings as indicated. Do not tighten any of the nuts until the unit is completely assembled, then finish by tightening all nuts. All nuts must be tightened before use.
- It is suggested to use a screwdriver and spanner to help secure the nuts in place (screwdriver and spanner not included).
- Keep away from fire.
- If the product is damaged or has any defects, please contact cservice@oypla.com

Parts List:

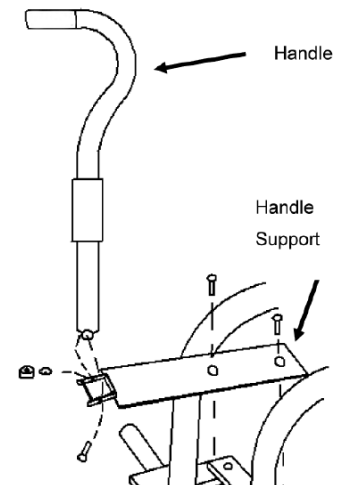
If you are missing any of the below parts please contact cservice@oypla.com

 Small Screw 10pcs	 Medium Screw 4pcs	 Large Screw 1pcs	 Small Washer 11pcs	 Medium Washer 4pcs	 Large Washer 4pcs
 Small Nut 11pcs	 Medium Nut 4pcs	 Large Nut 4pcs	 Handle Support 1pcs		
 Handle 1pcs			 Tray Bracket 1pcs		
 Axle 1pcs			 Wheel 4pcs	 Tray 1pcs	
 Steering Link Connector 1pcs			 Basket 1pcs	 Axle Sleeve 2pcs	
 Frame 1pcs			 Seat 1pcs	 Small Reinforcing Plate 3pcs	

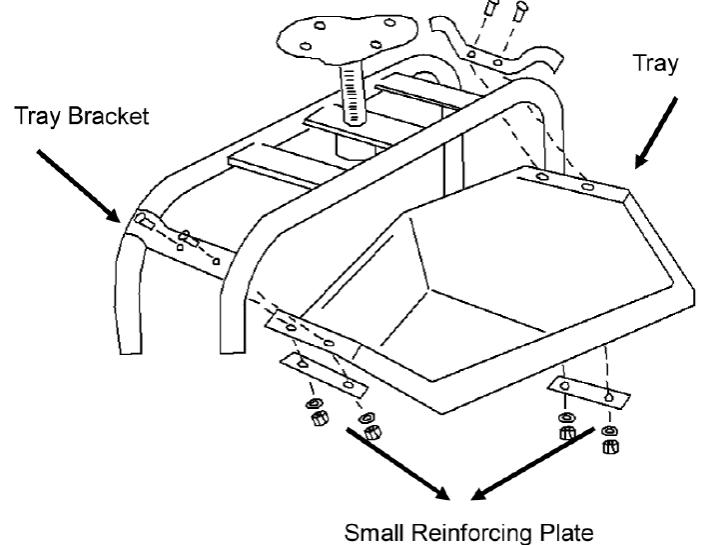
1. Place the steering link connector onto the front axle section of the frame. Secure the steering link connector by putting a small screw through each end hole (two) and add a small washer to the other side of each screw and then a small nut. This is shown below. Ensure that the nuts are tightened. Insert the axle through the rear axle frame.



2. Place the handle support over the front axle. Secure this again but putting a small screw through the front and back holes of the handle support and add a small washer and nut onto the other side and tighten. Attach the handle to the handle support by lining up the end of the handle inside the handle support. Insert the large screw through the holes of the handle support and the handle and securing the end with a small washer and nut.



3. To attach the tray to the frame, place a reinforcing plate under the front rim of the tray, ensuring that you line up the holes with the pre-drilled holes in the front bracket that is on the front of the frame. Then use two small screws, nuts and washers to secure this in place. To secure the back rim of the tray to the frame, again place a reinforcing plate under the back rim of the tray. You will then need to place the tray bracket over the top of the frame and line these holes up with the ones in the reinforcing plate and the tray. Again, use a small screw, nut and washer for each hole to secure them into place.

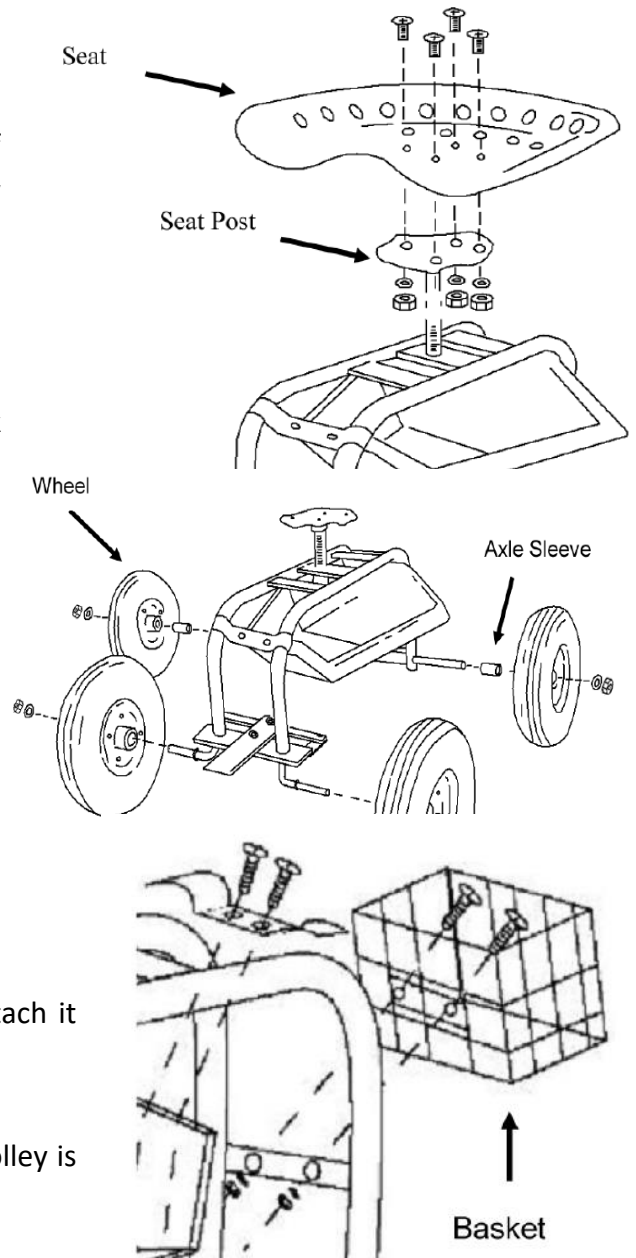


4. Attach the seat to the seat post which is located on the top of the frame. Line up the holes in the seat and the seat post and insert a medium screw through each of the four holes in the top of the seat. Ensure that they also go through the seat post holes and secure on the underside with a medium washer and a medium nut on each screw.

5. Slide one of the axle sleeves onto each end of the back axle followed by a wheel, ensuring that the valve stem of the wheel is facing outwards. Secure this by putting a large washer and nut onto the end of the axle. Repeat this for the other end of the axle. To secure the wheels onto the front axle, slide a wheel on either end of the axle and again secure using a large washer and large nut on the end.

6. Attach the basket to the back of the frame by lining up the holes in the basket with the frame and putting a small screw through each hole. Secure this with a small washer and nut each. Use the last small reinforcing plate on the inside of the basket, and attach it accordingly onto the frame.

7. Tighten all nuts and ensure that the rolling garden trolley is secure before use.



HAVE A QUESTION ABOUT YOUR PURCHASE?

OUR DEDICATED CUSTOMER SERVICES TEAM ARE HAPPY TO HELP
CONTACT THEM VIA:

TELEPHONE: 020 3600 2255

EMAIL: cservice@oypla.com

LIVE CHAT: www.oypla.com

PLEASE RETAIN A COPY OF THESE INSTRUCTIONS FOR FUTURE CONSULTATION

OYPLA.COM

An Official OYPLA Branded Product

Imported by Oypla.com LLP, Uxbridge, UB8 2FX

USER MANUAL Model No: 4224