



# 3 Tier Kitchen Storage Tower

# Safety Instructions

**Notice: Ensure you read and fully understand instructions before use**

**While every attempt is made to ensure the highest degree of protection in all equipment, we cannot guarantee freedom from injury. The user assumes all risk of injury due to use. All merchandise is sold on this condition, which no representative of the company can waive or change.**

- Make sure all fastenings are tightly in place and that everything is in order before using the product. This should be checked periodically by an adult.
- Do not discard any of the packaging until you have checked that you have all of the parts and fitting required.
- This product is not a toy, and is only to be used for its designated purpose.
- This product is intended for indoor use only.
- Children should be supervised to ensure they do not play with the product.
- Do not carry out alterations or modifications to this product.
- The weight capacity of each shelf is 2kg. Do not exceed this amount.
- Clean only with a damp cloth. Do not use abrasive cleaners or detergents.
- Do not discard any of the packaging until you have checked that you have all of the parts and fittings required.
- If the product is damaged or has any defects, please contact [cservice@oypla.com](mailto:cservice@oypla.com)




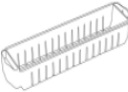

# Assembly Instructions

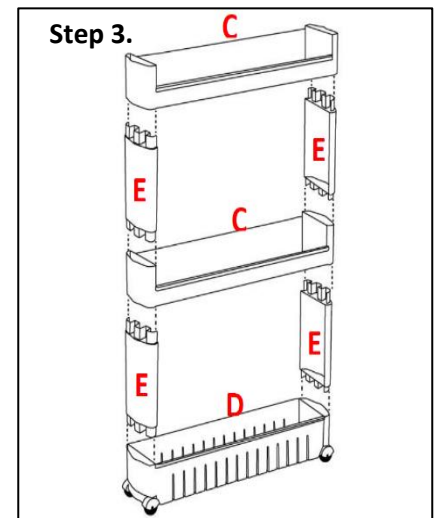
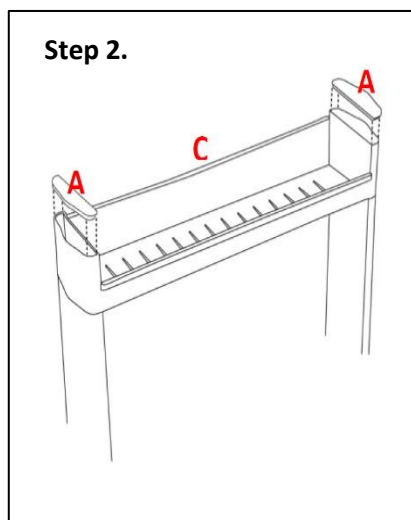
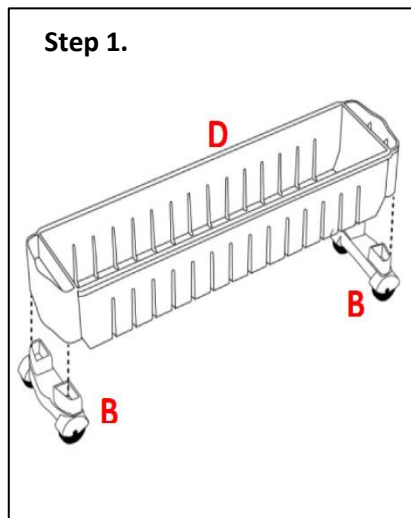
## Parts List:

Please check you have all parts below before attempting to assemble this product.

If you are missing any of the below parts, please contact Oypla customer services:

[cservice@oypla.com](mailto:cservice@oypla.com)

A		2PCS
B		2PCS
C		2PCS
D		1PC
E		4PCS



1. Attach the wheels (B) to the bottom shelf (D).
2. Insert the supports (E) into the bottom shelf. Attach the desired amount of shelves (C) onto the supports.
3. Insert the end caps into the top of the uppermost tier.

PLEASE RETAIN A COPY OF THESE INSTRUCTIONS FOR FUTURE CONSULTATION

**HAVE A QUESTION ABOUT YOUR PURCHASE?**

OUR DEDICATED CUSTOMER SERVICES TEAM ARE HAPPY TO HELP  
CONTACT THEM VIA:

**OYPLA.COM**

An Official OYPLA Branded Product

TELEPHONE: 020 3600 2255

EMAIL: [cservice@oypla.com](mailto:cservice@oypla.com)

LIVE CHAT: [www.oypla.com](http://www.oypla.com)

Imported by Oypla.com LLP, Uxbridge, UB8 2FX

**USER MANUAL Model No: 4213**