

# GARDEN

User Manual

Model Code: 4195

THANK YOU FOR YOUR ORDER

## Contents

- 1 Front Cover
- 
- 2 Safety Instructions
- 
- 3 Assembly Instructions
- 
- 6 Back Cover

End



## Potting Table

## Contents

1	Front Cover
-	-
2	Safety Instructions
-	-
3	Assembly Instructions
-	-
6	Back Cover

End


# Safety Instructions


## Notice: Ensure you read and fully understand instructions before use

While every attempt is made to ensure the highest degree of protection in all equipment, we cannot guarantee freedom from injury. The user assumes all risk of injury due to use. All merchandise is sold on this condition, which no representative of the company can waive or change.

- This product contains small parts that could be a choking hazard if swallowed. Keep these items away from children.
- Make sure all screws are tightly in place and that everything is in order before using the product. This should be checked periodically by an adult.
- Unpacking, installing and fixing the parts are to be completed by an adult.
- Never exceed the maximum load capacity of 9kg per shelf, or it may result in product failure and/or personal injury.
- This product is can be used inside or outside.
- This product is not a toy, and is only to be used for its designated purpose.
- Keep away from fire.
- Leaving the product outside exposed to weather, especially direct sun and rain, will speed the weathering process. This can be slowed by removing the product from these conditions.
- Only use this product on stable and level ground.
- Do not discard any of the packaging until you have checked that you have all of the parts and screws required.
- Use the correct screws as indicated. Do not tighten any of the screws fully until the unit is completely assembled, then finish by tightening all screws. All screws must be tightened before use.
- If the product is damaged or has any defects, please contact [cservice@oypla.com](mailto:cservice@oypla.com).

# Warnings

 This product contains small parts that could be a choking hazard if swallowed. Keep these items away from children

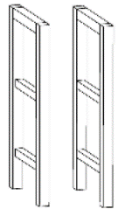

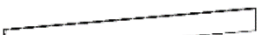
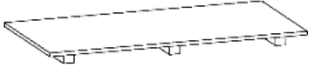

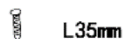


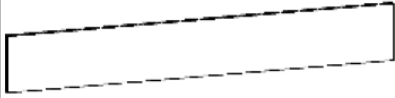

 Never exceed the maximum load capacity of 9kg per shelf, or it may result in product failure and/or personal injury.

Contents

# Assembly Instructions

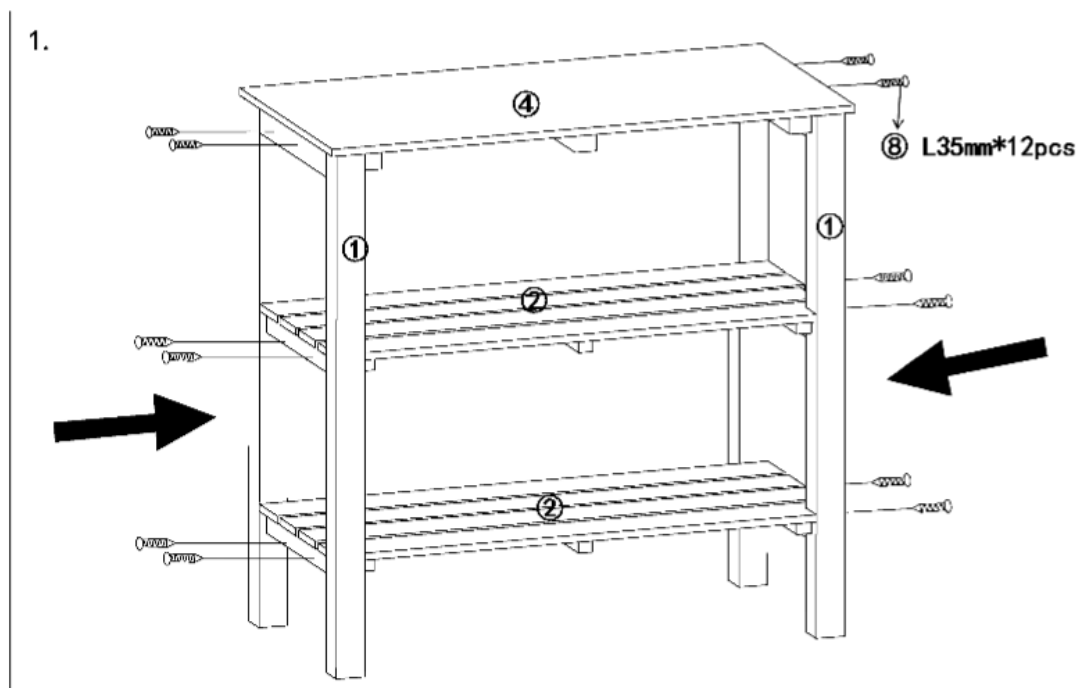
## Parts List:

- If you are missing any of the below parts, please contact [cservice@oypla.com](mailto:cservice@oypla.com)
- Please be aware that you will be referring to this parts list throughout the assembly process.

<p>① 2pcs</p> 	<p>② 2pcs</p> 	<p>③ 2pcs</p> 	<p>④ 1pc</p> 
<p>⑦ 6pcs</p> 	<p>⑧ 20pcs</p> <p>L35mm</p> 	<p>⑨ 14pcs</p> <p>L25mm</p> 	<p>⑩ 12pcs</p> <p>L10mm</p> 
<p>⑤ 1pc</p> 		<p>⑥ 2pcs</p> 	

1 Front Cover  
-  
2 Safety Instructions  
-  
3 Assembly Instructions  
-  
6 Back Cover

End

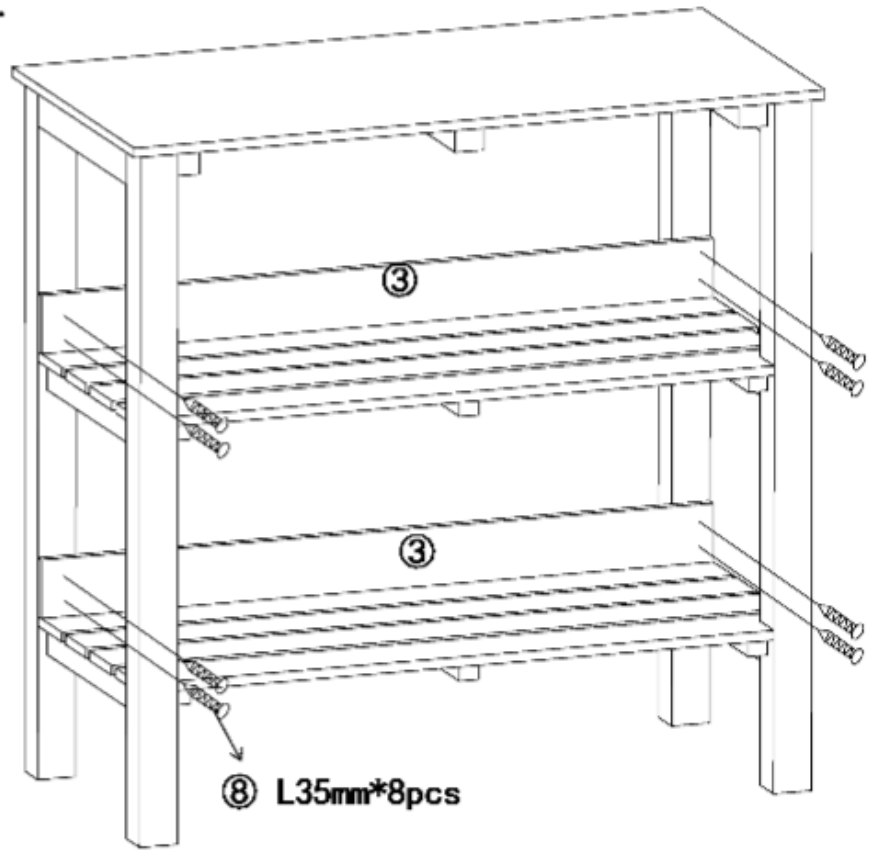


# Contents

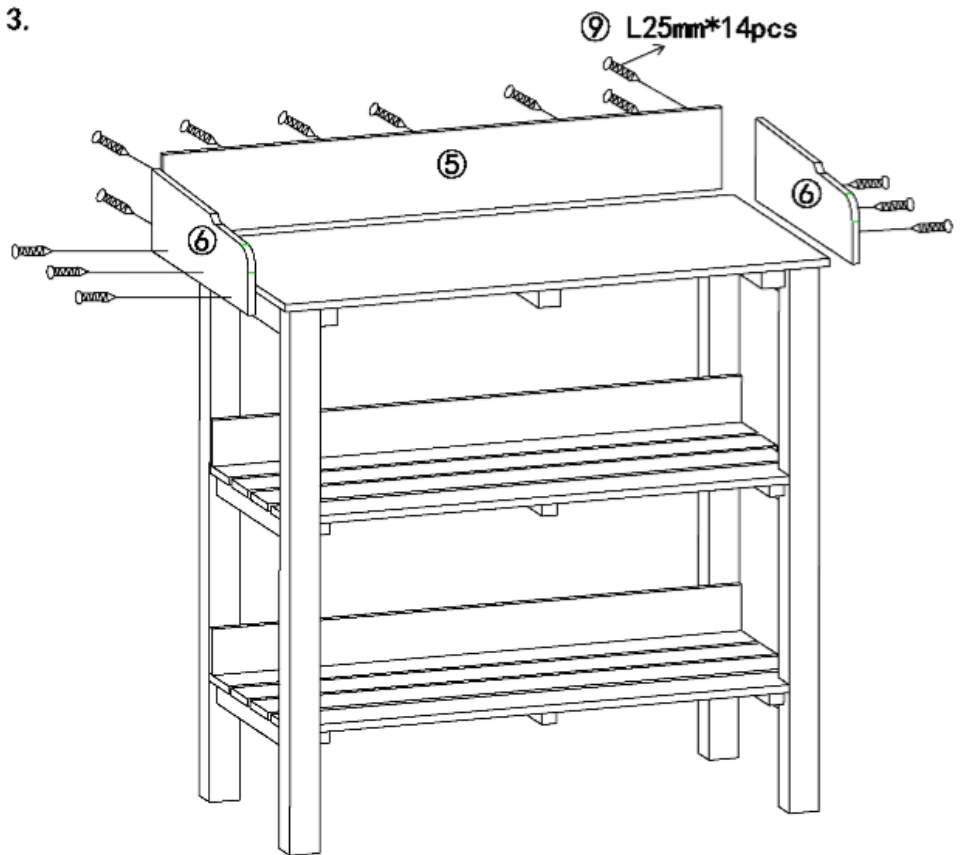
- 1 Front Cover
- 
- 2 Safety Instructions
- 
- 3 Assembly Instructions
- 
- 6 Back Cover

End

2.



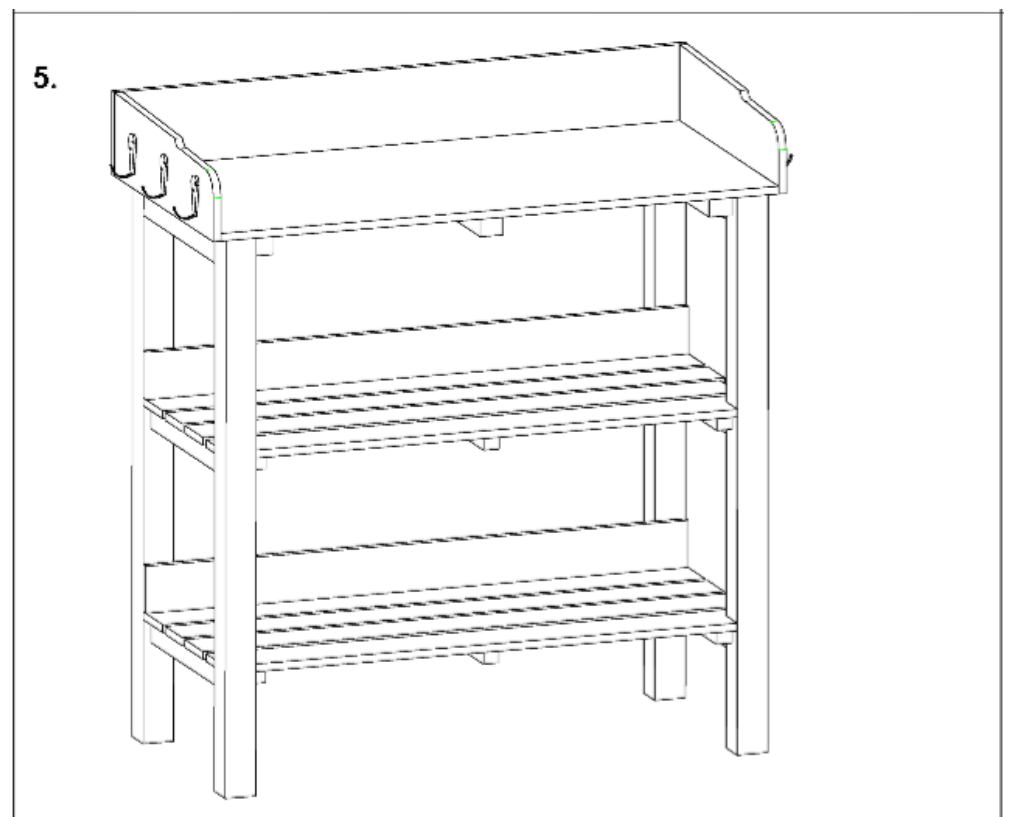
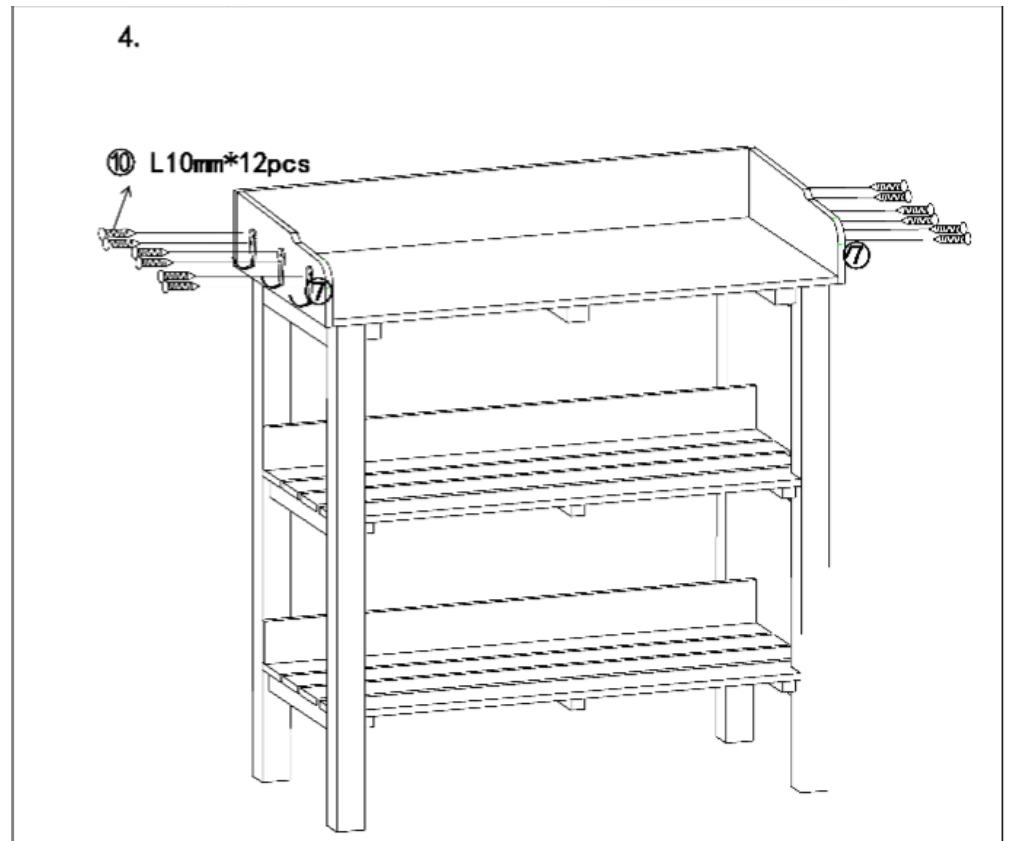
3.



# Contents

- 1 Front Cover
- 
- 2 Safety Instructions
- 
- 3 Assembly Instructions
- 
- 6 Back Cover

End



## Contents

---

- 1 Front Cover  
-
- 2 Safety  
Instructions  
-
- 3 Assembly  
Instructions  
-
- 6 Back Cover

End

## HAVE A QUESTION ABOUT YOUR PURCHASE?

Our dedicated customer services team are happy to help. Contact them via:

**Telephone:** 020 3600 22 55

**Email:** [cservice@oypla.com](mailto:cservice@oypla.com)

**Live Chat:** [WWW.OYPLA.COM](http://WWW.OYPLA.COM)

## CONSIDER THE ENVIRONMENT!

In the United Kingdom, approximately 5 billion corrugated boxes are used per year, amounting to around 83 per person! By recycling the cardboard box in which this product was packed, you contribute to the preservation and sustainability of the environment.

If you see a recycling logo on the packaging of your product, such as the below examples, that piece of packaging is recyclable. If there is not a recycling logo, please check with your local authorities before recycling.



PLEASE RETAIN A COPY OF THESE INSTRUCTIONS FOR FUTURE CONSULTATION

# OYPLA.COM

AN OFFICIAL OYPLA BRANDED PRODUCT