



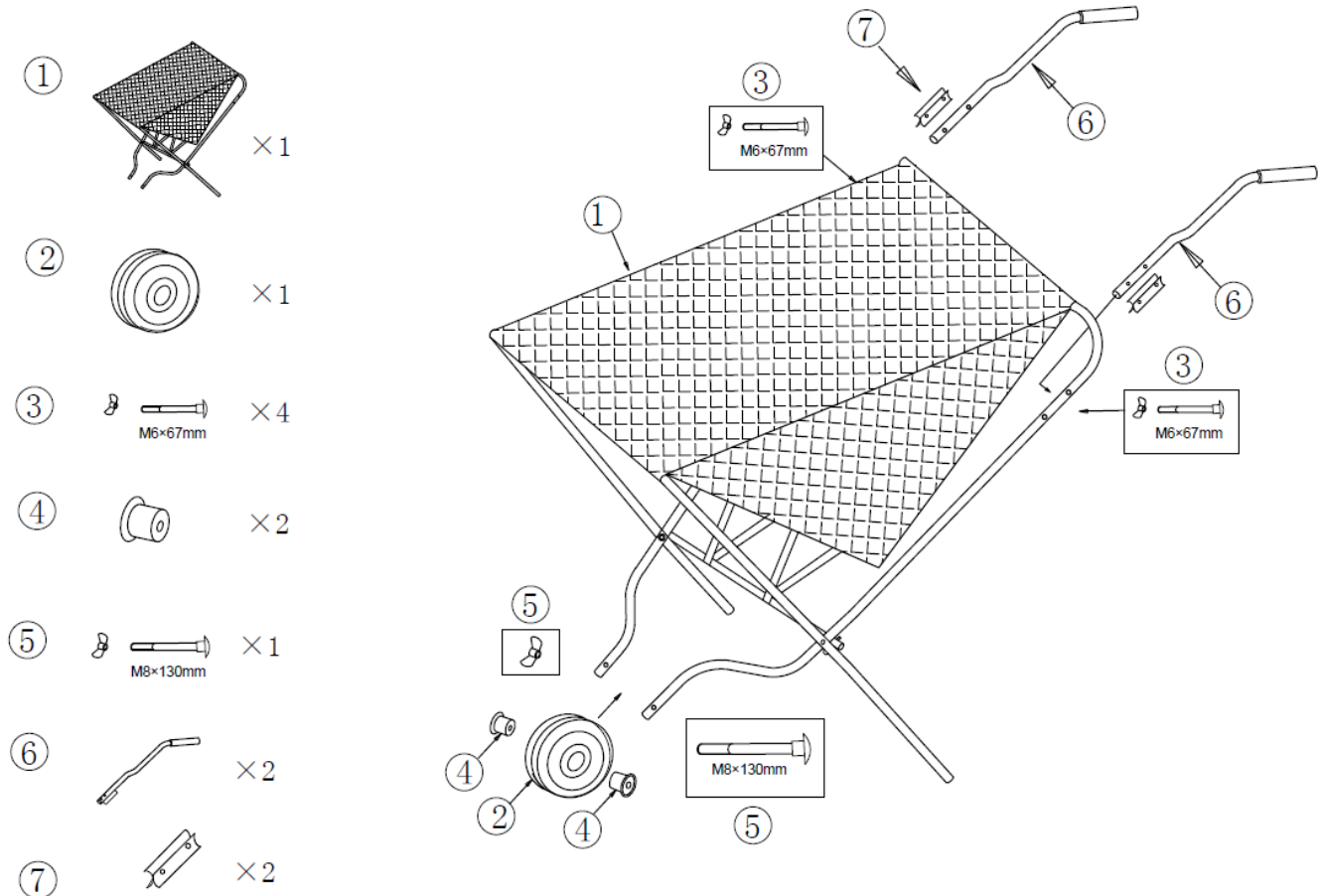
Folding Wheelbarrow

Safety Instructions

Notice: This manual contains important information regarding the operation, safety and maintenance of the product. Read and understand the manual before using the product, and save this manual for future reference.

- This product contains small parts that could be a choking hazard if swallowed. Keep these items away from children.
- Make sure all fastenings are tightly in place and that everything is in order before using the product. This should be checked periodically by an adult.
- Unpacking, installing and fixing the parts are to be completed by an adult.
- Never exceed the maximum load capacity of 20kg, or it may result in product failure and/or personal injury.
- This product is intended for outdoor use only.
- This product is not a toy, and is only to be used for its designated purpose.
- Leaving the product outside exposed to weather, especially direct sun and rain, will speed the weathering process. This can be slowed by removing the product from these conditions.
- Keep fingers, loose clothing, and hair away when folding the product. Pinch points can cause personal injury.
- Do not discard any of the packaging until you have checked that you have all of the parts and fittings required.
- Use the correct fixings as indicated. Do not tighten any of the nuts until the unit is completely assembled, then finish by tightening all nuts. All nuts must be tightened before use.
- If the product is damaged or has any defects, please contact cservice@oypla.com

Operating Instructions



HAVE A QUESTION ABOUT YOUR PURCHASE?

OUR DEDICATED CUSTOMER SERVICES TEAM ARE HAPPY TO HELP
CONTACT THEM VIA:

TELEPHONE: 020 3600 2255

EMAIL: cservice@oypla.com

LIVE CHAT: www.oypla.com

PLEASE RETAIN A COPY OF THESE INSTRUCTIONS FOR FUTURE CONSULTATION

OYPLA.COM

An Official OYPLA Branded Product

Imported by Oypla.com LLP, Uxbridge, UB8 2FX

USER MANUAL Model No: 4188