

OYPLA™

GARDEN

THANK YOU FOR YOUR ORDER



Wheelbarrow Planter

Safety Instructions

Notice: Ensure you read and fully understand instructions before use

While every attempt is made to ensure the highest degree of protection in all equipment, we cannot guarantee freedom from injury. The user assumes all risk of injury due to use. All merchandise is sold on this condition, which no representative of the company can waive or change.

- Make sure all fastenings are tightly in place and that everything is in order before using the product. This should be checked periodically by an adult.
- This product is not a toy, and is only to be used for its designated purpose.
- Move to the final position before filling the planter.
- Only use this product on stable, level and dry ground.
- This is a garden planter, do not use as a wheelbarrow.
- Do not discard any of the packaging until you have checked that you have all of the parts and fittings required.
- This product is intended for outdoor use only.
- Leaving the product outside exposed to weather, especially direct sun and rain, will speed the weathering process. This can be slowed by removing the product from these conditions.
- This product contains small parts that could be a choking hazard if swallowed. Keep these items away from children.
- Use the correct fixings as indicated. Do not tighten any of the screws until the unit is completely assembled, then finish by tightening all screws. All screws must be tightened before use.
- If the product is damaged or has any defects, please contact cservice@oypla.com

Assembly Instructions

If you are missing any of the below parts please contact cservice@oypla.com

Please be aware that you will be referring to this parts list throughout the assembly process.

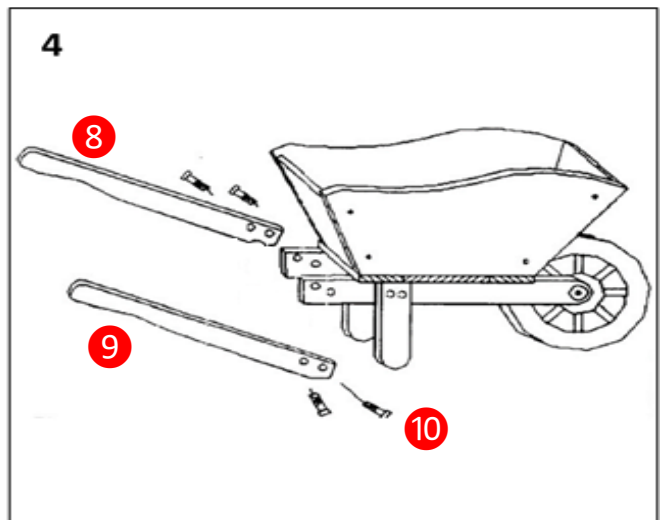
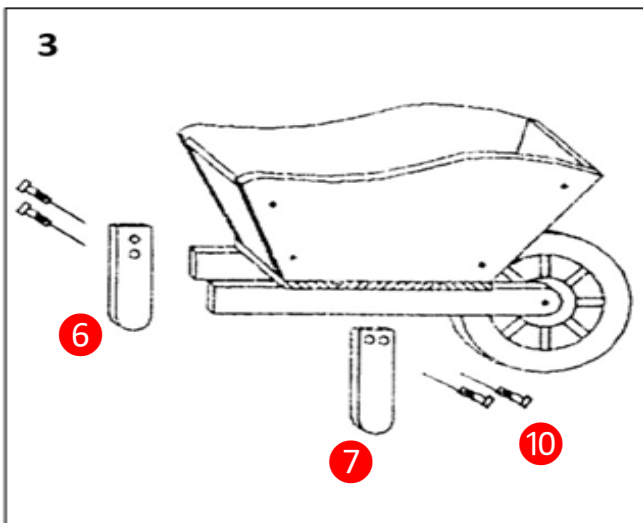
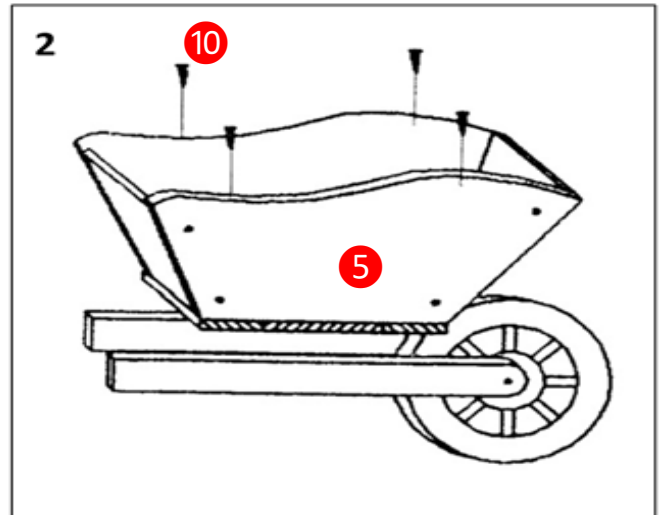
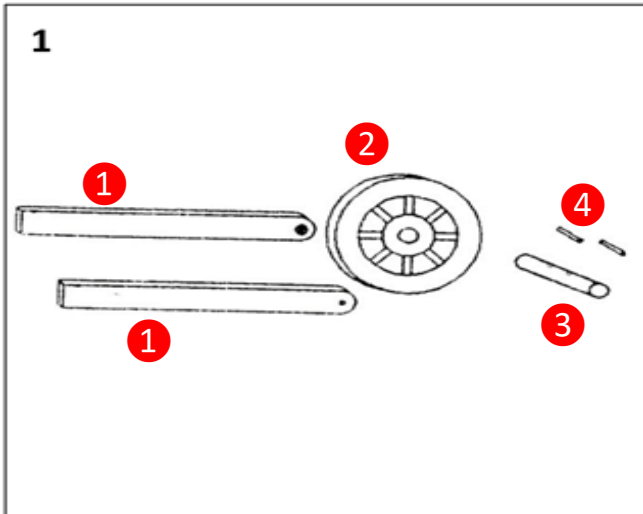
Parts List:

Part	Quantity
1 Support Frame	x2
2 Wheel	x1
3 Axle	x1
4 Split Pin	x2
5 Body	x1
6 Left Leg	x1
7 Right Leg	x1
8 Left Handle	x1
9 Right Handle	x1
10 Small Screws	x8
11 Large Screws	x4

Care and Maintenance

- Line the inside of the planter with polythene sheeting before filling. Ensure that a few holes are made in the sheeting for drainage.
- Preserve the wood using timber treatment. Follow the directions on the can after first checking that it is not harmful to plants.

1. Insert the wheel halfway along the axle and insert a split pin either side of the wheel. Insert each side of the axle into the supports.
2. Attach the body to the supports and secure using 4 screws.
3. Attach the legs to the supports using 2 screws each.
4. Attach the handles onto the supports using 2 screws on each side.



HAVE A QUESTION ABOUT YOUR PURCHASE?

OUR DEDICATED CUSTOMER SERVICES TEAM ARE HAPPY TO HELP
CONTACT THEM VIA:

TELEPHONE: 020 3600 2255

EMAIL: cservice@oypla.com

LIVE CHAT: www.oypla.com

PLEASE RETAIN A COPY OF THESE INSTRUCTIONS FOR FUTURE CONSULTATION

OYPLA.COM

An Official OYPLA Branded Product

Imported by Oypla.com LLP, Uxbridge, UB8 2FX

USER MANUAL Model No: 4185