



Plant Pot Trolley

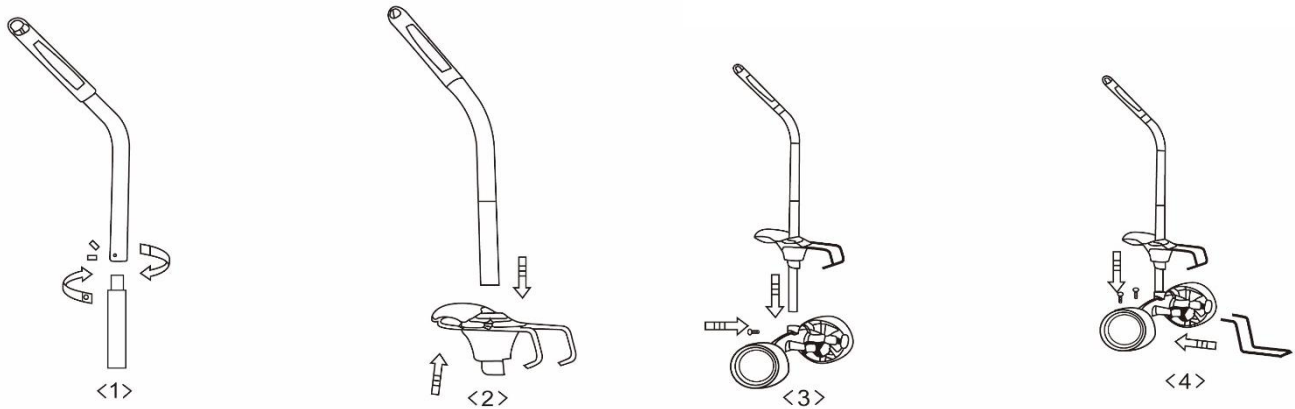
Safety Instructions

Notice: Please read all instructions carefully before using this product.

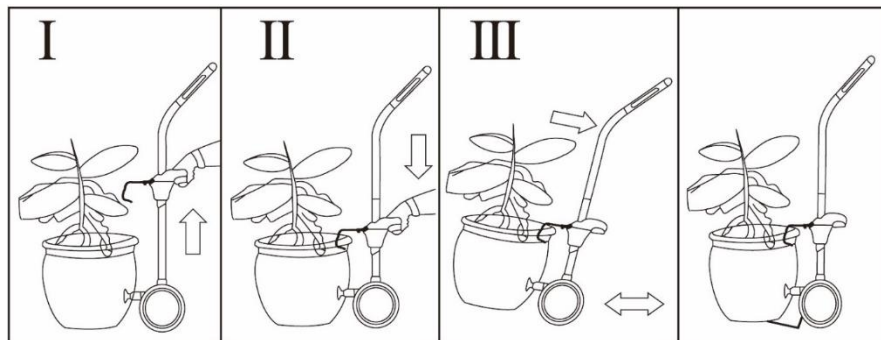
- This product contains small parts that could be a choking hazard if swallowed. Keep these items away from children.
- Make sure all fastenings are tightly in place and that everything is in order before using the product. This should be checked periodically by an adult.
- Unpacking, installing and fixing the parts are to be completed by an adult.
- Never exceed the maximum load capacity of 75kg, or it may result in product failure and/or personal injury.
- Ensure this product is only used to move plant pots of between 20 and 75cm in height.
- Ensure that the plant pots are safely positioned on the base plate of the product before beginning to move them.
- It is advised to not use this plant pot trolley to carry products down steps as this may result in product failure and/or personal injury.
- Take extra care when using this product to travel up hills or a steep gradient otherwise it may cause personal injury.
- This product is not a toy, and is only to be used for its designated purpose.
- Do not carry out alterations or modifications to this product.
- This product is not suitable for use by children.
- Clean only with a damp cloth. Do not use strong industrial cleaning substances.
- Leaving the product outside exposed to weather, especially direct sun and rain, will speed the weathering process. This can be slowed by removing the product from these conditions, or covering it with a suitable cover.
- Pinch points can cause personal injury.
- Do not discard any of the packaging until you have checked that you have all of the parts and fitting required.
- Use the correct fixings as indicated. Do not tighten any of the nuts until the unit is completely assembled, then finish by tightening all nuts. All nuts must be tightened before use.
- If the product is damaged or has any defects, please contact cservice@oypla.com

Operating Instructions

Assembly

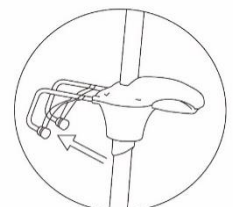


Operation



1. Adjust the buffers so they are securely holding the base of the pot. Slide the grabber arm up, using the lever to release it.
2. Lower the grabber arm so that it holds the top edge of the pot.
3. Using the handle tilt the pot back to mover.
4. For heavy pots, the support base can be used for extra stability.

To protect the inner edge of the pot, remember to attach the rubber protectors to the grabber arm before attempting to move.



Please retain a copy of all instructions for future consultation.



An Official Oypla Branded Product

Imported into the EU by Oypla.com LLP, Uxbridge, UB8 2FX

USER MANUAL Model No: 4177