



2 Tier Flower Fountain

Safety Instructions

Notice: Ensure you read and fully understand instructions before use

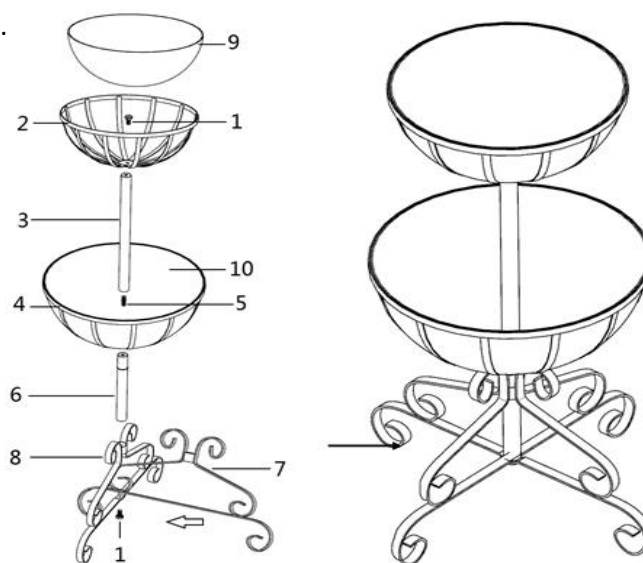
While every attempt is made to ensure the highest degree of protection in all equipment, we cannot guarantee freedom from injury. The user assumes all risk of injury due to use. All merchandise is sold on this condition, which no representative of the company can waive or change.

- Make sure all fastenings are tightly in place and that everything is in order before using the product. This should be checked periodically by an adult.
- Unpacking, installing and fixing the parts are to be completed by an adult.
- This product is intended for outdoor use only.
- This product contains small parts that could be a choking hazard if swallowed. Keep these items away from children.
- This product is not a toy, and is only to be used for its designated purpose.
- Only use this product on stable and level ground.
- Do not discard any of the packaging until you have checked that you have all of the parts and fitting required.
- Leaving the product outside exposed to weather, especially direct sun and rain, will speed the weathering process. This can be prevented by removing the product from these harsh conditions.
- If the product is damaged or has any defects, please contact cservice@oypla.com

| PART | QUANTITY | PART | QUANTITY |
|-----------------------|----------|------------------------|----------|
| 1. Threaded Bolt | 2 | 2. Bowl (small) | 1 |
| 3. Pole (long) | 1 | 4. Bowl (large) | 1 |
| 5. Screw | 1 | 6. Pole (short) | 1 |
| 7. Stand | 1 | 8. Stand (fluted) | 1 |
| 9. Coco Liner (small) | 1 | 10. Coco Liner (large) | 1 |

Assembly Instructions

1. Place the stand (7) on a firm and level base for a central upright completion and ease of assembly, and fix together the stand fluted section (8).
2. Place the short pole (6) into the hole of the newly construction stand and then fix together with one threaded bolt (1).
3. Take the long pole (3) equipped with the screw (5) and place through the centre hole of the large bowl (4) with the large coco liner (10) inside. Then screw it into the hole of the short pole (6).
4. Take the second threaded bolt (1) and place through the centre of the small bowl (2). Place the small coco liner (9) on top to finish the assembly.



HAVE A QUESTION ABOUT YOUR PURCHASE?

OUR DEDICATED CUSTOMER SERVICES TEAM ARE HAPPY TO HELP
CONTACT THEM VIA:

TELEPHONE: 020 3600 2255

EMAIL: cservice@oypla.com

LIVE CHAT: www.oypla.com

PLEASE RETAIN A COPY OF THESE INSTRUCTIONS FOR FUTURE CONSULTATION

OYPLA.COM

An Official OYPLA Branded Product

Imported by Oypla.com LLP, Uxbridge, UB8 2FX

USER MANUAL Model No: 4140