



Mitre Stand with Extensions

USER MANUAL Model No: 4122

Safety Instructions

Notice: Ensure you read and fully understand instructions before use

While every attempt is made to ensure the highest degree of protection in all equipment, we cannot guarantee freedom from injury. The user assumes all risk of injury due to use. All merchandise is sold on this condition, which no representative of the company can waive or change.

- This product contains small parts that could be a choking hazard if swallowed. Keep these items away from children.
- Make sure all fastenings are tightly in place and that everything is in order before using the product. This should be checked periodically by an adult.
- Never exceed the maximum load capacity of 200kg, or it may result in product failure and/or personal injury.
- This product is not a toy, and is only to be used for its designated purpose.
- Do not carry out alterations or modifications to this product.
- Clean only with a damp cloth. Do not use strong industrial cleaning substances.
- Leaving the product outside exposed to weather, especially direct sun and rain, will speed the weathering process. This can be slowed by removing the product from these conditions, or covering it with a suitable cover.
- Keep fingers, loose clothing, and hair away when folding the product.
- This product is not intended for use by persons (including children) with reduced physical, sensory and mental capacities, or lack of experience and knowledge, unless they have been given supervision or instruction concerning use of the product by persons responsible for their safety.
- Make certain that work support extensions are within safe operating limits and are properly locked in place being use.
- Only use this product on stable, level and dry ground.
- Do not discard any of the packaging until you have checked that you have all of the parts and fitting required.
- Use the correct fixings as indicated. Do not tighten any of the nuts until the unit is completely assembled, then finish by tightening all nuts. All nuts must be tightened before use.
- If the product is damaged or has any defects, please contact cservice@oypla.com

Assembly Instructions

Parts List:

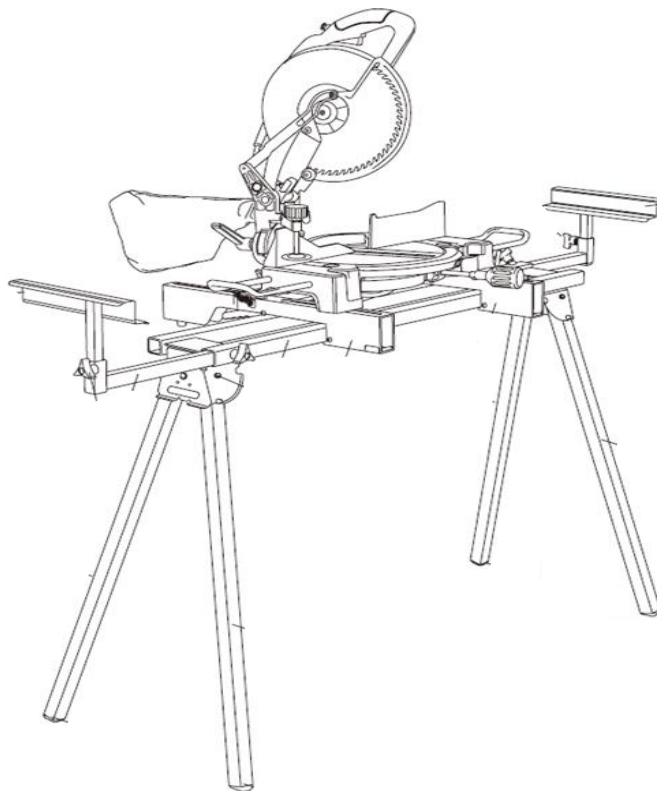
Please check you have all parts below before attempting to assemble this product.

If you are missing any of the below parts, please contact Oypla customer services:

cservice@oypla.com

Part Description	Part	Quantity
Top Frame	A	1
Leg	B	4
Outrigger Supports	C	2
Support "T"	D	2
Quick Attach Machine Mounts	E	2
Hex Head Bolt	F	4
Lock Nut	G	4
3-Point Knob	H	4
Mounting Bolt	I	4
Nut	J	4
Flat Washer	K	4
Lock Washer	L	4
Leg Plugs	M	4

Note: Saw is **not** included



1. Install leg (B) to the top frame (A) and secure with a bolt (F) and lock nut (G). Insure that snap pin is facing out and securely latches in the open and closed positions. Repeat on remaining three legs.

2. Place top frame upside down on your workbench or work surface. Open the legs by depressing the snap pins and pivot the legs into the open position.

3. Install tube plugs (M) into the bottom of all four legs, as shown in figure 2. Return unit to upright position.

4. Install the outrigger supports (C) into the top tube as shown in figure 3.

5. Install four 3-point knobs (H) into the threaded holes in the top tubes and outrigger supports (C).

6. Install support T's (D) into the ends of the outrigger supports (C).

7. Locate the machine mounts (E).

8. Carefully reviews figure 5. Note the location of the spring mounted handles; these should be positioned to the rear of the saw as shown. This allows for easier installation and removal of the saw.

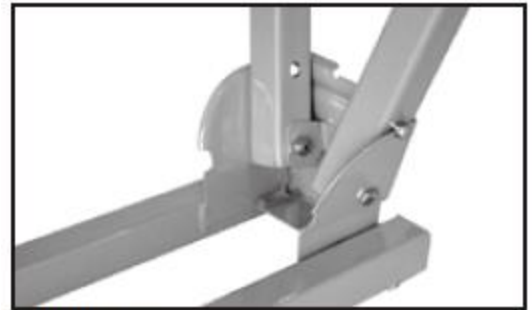


Figure 1

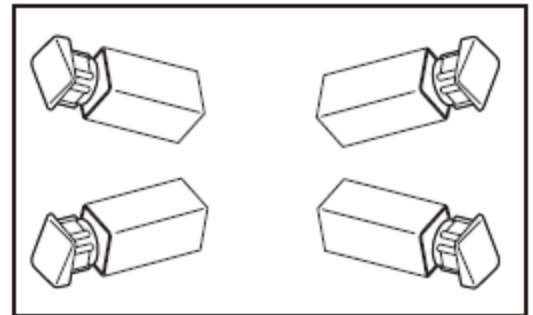


Figure 2: Legs Represented in Open Position



Figure 3

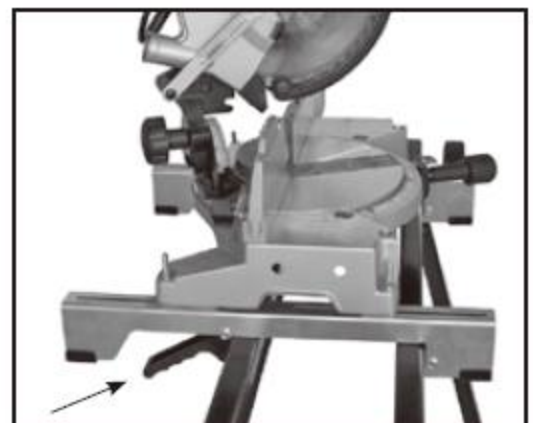


Figure 5

9. Attach the two machine mounts to the saw using mounting bolts (K) at each saw mounting point. See figure 6. From the bottom, pass the mounting bolt through the slot in the machine mount, through the mounting hole and secure with flat washer (K), lock washer (L) and nut (J). Hand tighten only.
10. Carefully lift the saw and place onto the mitre saw stand. Be sure the hook end of the machine mount locks under the top tube as shown in figure 7. The spring-loaded handle should lock under the opposite top tube as shown in figure 8.
11. Slide the saw forward or back along the machine mount to best balance the saw on the stand. Secure the saw by tightening the mounting bolts installed in step 8.

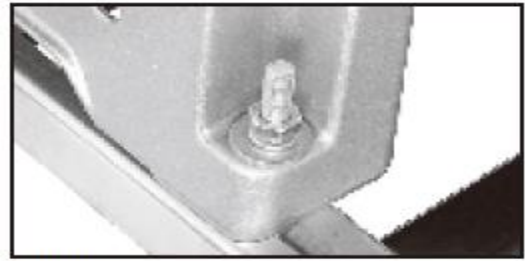


Figure 6

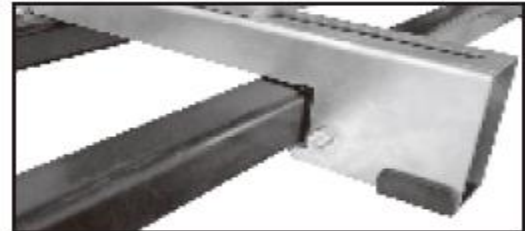


Figure 7

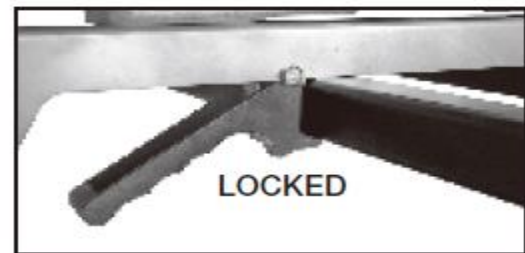


Figure 8

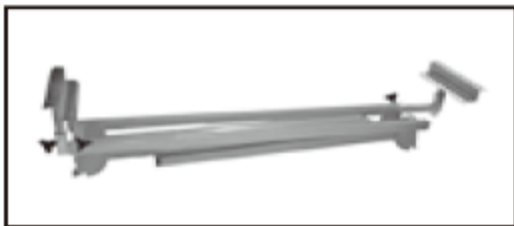


Figure 9

HAVE A QUESTION ABOUT YOUR PURCHASE?

OUR DEDICATED CUSTOMER SERVICES TEAM ARE HAPPY TO HELP
CONTACT THEM VIA:

TELEPHONE: 020 3600 2255

EMAIL: cservice@oypla.com

LIVE CHAT: www.oypla.com

PLEASE RETAIN A COPY OF THESE INSTRUCTIONS FOR FUTURE CONSULTATION

OYPLA.COM

An Official OYPLA Branded Product

Imported by Oypla.com LLP, Uxbridge, UB8 2FX

USER MANUAL Model No: 4122