

**Out of this world savings.**

---

## **User Manual**

Model: **4084, 4085**

---



# **Industrial Style Desk**

*\*Size May Vary*

---

---

# Contents

Safety Information .....	2
What's In The Box?.....	3
Assembly Instructions.....	4

---

## Safety Information

### Please ensure you read and fully understand instructions before use

While every attempt is made to ensure the highest degree of protection in all equipment, we cannot guarantee freedom from injury. The user assumes all risk of injury due to use. All merchandise is sold on this condition, which no representative of the company can waive or change.

---

- Keep children and animals away from the work area, as the small parts in the package could cause choking.
  - Do not use this item if any components are missing or damaged.
  - During assembly, children and pets should be kept away from the product, due to possible risk of injury.
  - Keep away from fire.
  - Pinch points can cause personal injury.
  - Keep fingers, loose clothing and hair away when assembling the product.
  - Never carry out any alterations or modifications to this product.
  - **Warning! Never overload the desk. The maximum weight capacity is 30kg.**
  - **Warning! When placing drinks on the desk, hot or cold, always be sure to use a suitable coaster or cover, to prevent them from damaging the surface of the desk.**
  - Only clean using a damp cloth. Do not use strong, industrial cleaning substances as these may damage the product.
  - Do not discard of any of the packaging until you have checked that you have all the parts and fixings present.
  - This product is intended for indoor use only.
  - This product is for domestic use only.
  - This product is not a toy, and is only to be used for its designated purpose.
  - If the product is damaged or has any defects, please contact [cservice@oypla.com](mailto:cservice@oypla.com)
  - **Warning! Children are not allowed to operate this product without sufficient supervision guidance provided by an adult.**
  - **Warning! Never crawl under the desk.**
  - **Warning! Do not sit or stand on the desk top.**
-

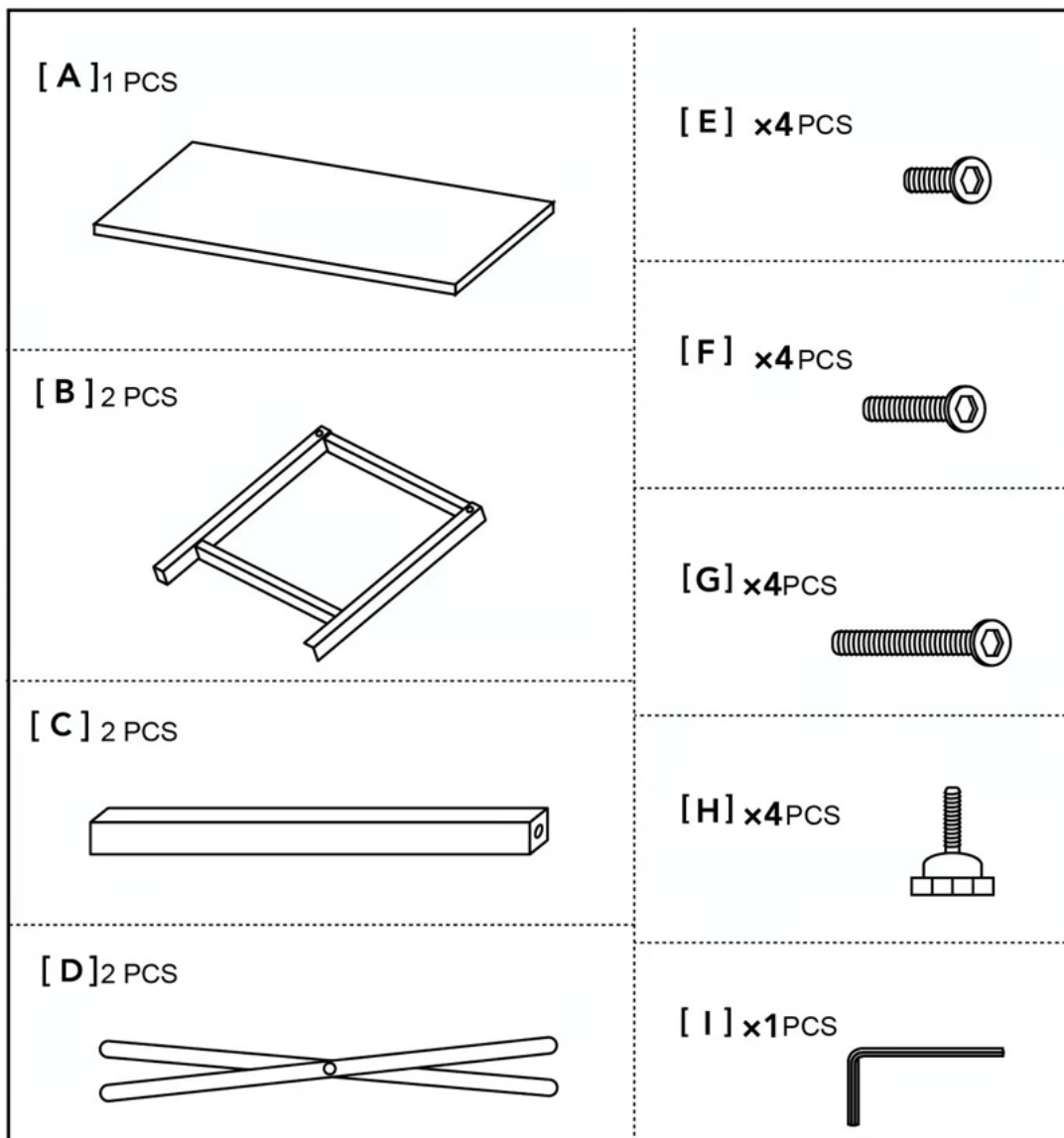
---

# What's In The Box?

Please note that you will be referring to the below parts list during assembly

If any of the below parts are missing or damaged, please contact our dedicated team at [cservice@oypla.com](mailto:cservice@oypla.com).

---



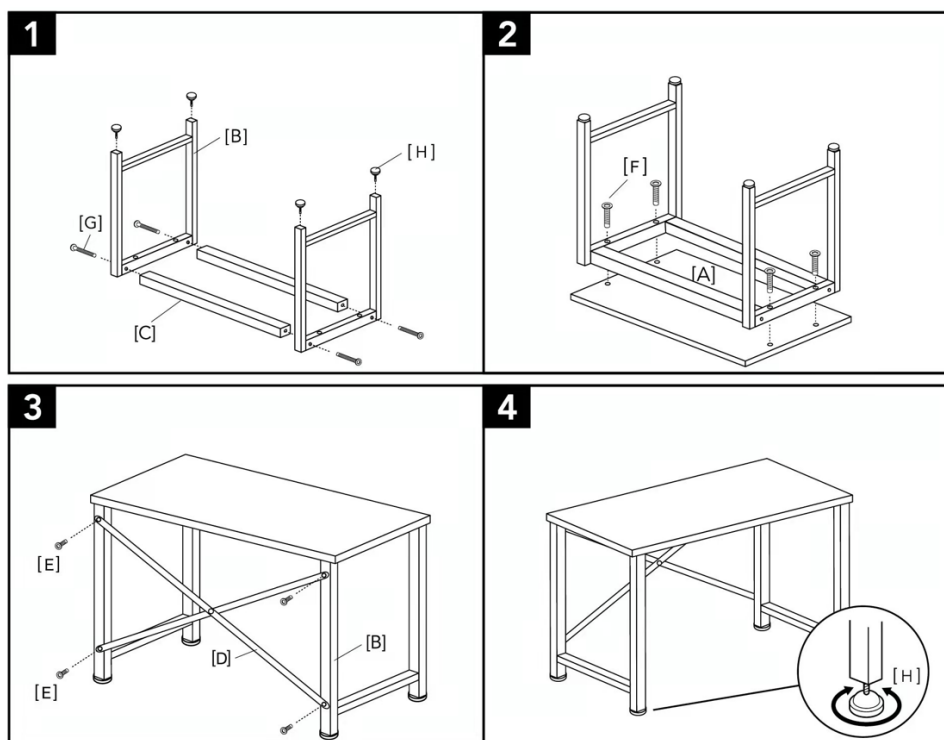
*Assembly instructions follow on the next page*

---

# Assembly Instructions

Please refer to the below information to help assemble your Oypla product

If you require assistance with the assembly of your Oypla product, please contact our dedicated team at [cservice@oypla.com](mailto:cservice@oypla.com).



## Have a Question About Your Purchase?

Our dedicated customer services team are happy to help. Contact them via:

Telephone: 020 3600 22 55

Email: [cservice@oypla.com](mailto:cservice@oypla.com)

Live Chat: [www.oypla.com](http://www.oypla.com)

## Consider the Environment!

By recycling the cardboard box in which this product was packed, you contribute towards helping the environment. If you see a recycling logo such as the below on the packaging, it can be recycled. If a recycling logo is not present, please check with your local authority before recycling.



**PLEASE RETAIN A COPY OF THESE INSTRUCTIONS FOR FUTURE CONSULTATION**

An Official Oypla Branded Product

Imported by Oypla.com LLP, Uxbridge, UB8 2FX

**User Manual**

Model Code: 4084, 4085

[Oypla.com](http://Oypla.com) LLP / [cservice@oypla.com](mailto:cservice@oypla.com)