



# Two Wheeled 70L Wheelbarrow

# Safety Instructions

**Notice: Ensure you read and fully understand instructions before use**

**While every attempt is made to ensure the highest degree of protection in all equipment, we cannot guarantee freedom from injury. The user assumes all risk of injury due to use. All merchandise is sold on this condition, which no representative of the company can waive or change.**

- This product contains small parts that could be a choking hazard if swallowed. Keep these items away from children.
- Make sure all fastenings are tightly in place and that everything is in order before using the product. This should be checked periodically by an adult.
- This product is intended for outdoor use only.
- Never exceed the maximum load capacity of 150kg, or it may result in product failure and/or personal injury.
- This product is not a toy, and is only to be used for its designated purpose.
- Do not carry out alterations or modifications to this product.
- Clean only with a damp cloth. Do not use strong industrial cleaning substances.
- Leaving the product outside exposed to weather, especially direct sun and rain, will speed the weathering process. This can be slowed by removing the product from these conditions, or covering it with a suitable cover.
- Do not discard any of the packaging until you have checked that you have all of the parts and fittings required.
- Use the correct fixings as indicated. Do not tighten any of the nuts until the unit is completely assembled, then finish by tightening all nuts. All nuts must be tightened before use.
- If the product is damaged or has any defects, please contact [cservice@oypla.com](mailto:cservice@oypla.com)

# Assembly Instructions

## Parts List:

If you are missing any of the below parts please contact [cservice@oypla.com](mailto:cservice@oypla.com)

Please be aware that you will be referring to this parts list throughout the assembly process.

Bucket	1pc	U-Frame Bar	1pc
Handle	1pc	Screws	8pcs
Wheel	2pcs	Nuts	8pcs
Middle Bar	1pc	Big Washers	2pcs
Support Bar	2pcs	Small Washers	8pcs
Axle Bar	1pc	Split Pins	2pcs

### Step 1:

Connect the two supports bars to the U frame using 2 x bolts, nuts and small washers.

### Step 2:

Fix the handle onto the lower part of the frame 2 x bolts, nuts and small washers.

### Step 3:

Fix the middle bar to the frame you created in steps 1 and 2 using 2 x bolts, nuts and small washers.

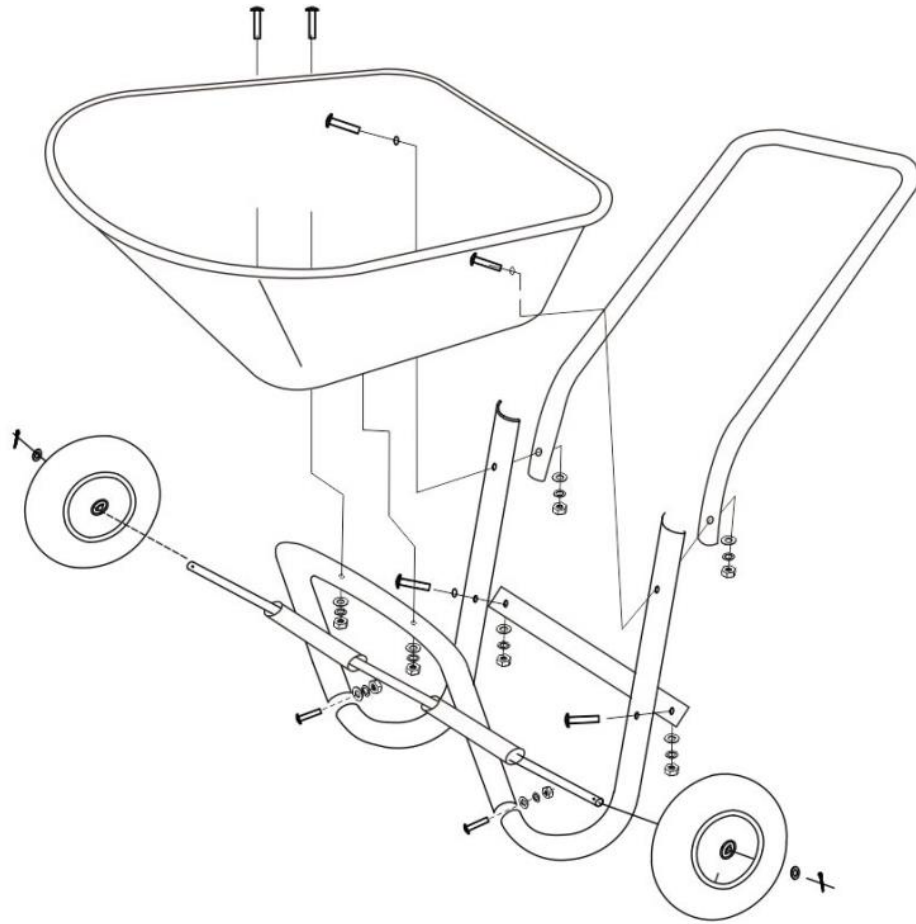
Slide the axle bar through the lower frame you have just put together.

### Step 4:

Assemble the wheels onto the axle bar using 2 x split pins and large washers.

### Step 5:

Fix the bucket onto the support bars and U frame using 2 x bolts, nuts and small washers.



**HAVE A QUESTION ABOUT YOUR PURCHASE?**

OUR DEDICATED CUSTOMER SERVICES TEAM ARE HAPPY TO HELP  
CONTACT THEM VIA:

TELEPHONE: 020 3600 2255

EMAIL: [cservice@oypla.com](mailto:cservice@oypla.com)

LIVE CHAT: [www.oypla.com](http://www.oypla.com)

PLEASE RETAIN A COPY OF THESE INSTRUCTIONS FOR FUTURE CONSULTATION

**OYPLA.COM**

An Official OYPLA Branded Product

Imported by Oypla.com LLP, Uxbridge, UB8 2FX

**USER MANUAL Model No: 4069**