

LEISURE

THANK YOU FOR YOUR ORDER



7.5L Car Cooler

Safety Instructions

Notice: Ensure you read and fully understand instructions before use

While every attempt is made to ensure the highest degree of protection in all equipment, we cannot guarantee freedom from injury. The user assumes all risk of injury due to use. All merchandise is sold on this condition, which no representative of the company can waive or change.

- This product is not a toy, and is only to be used for its designated purpose.
- Make sure all fastenings are tightly in place and that everything is in order before using the product. This should be checked periodically by an adult.
- Leaving the product outside exposed to weather, especially direct sun and rain, will speed the weathering process. This can be slowed by removing the product from these conditions, or covering it with a suitable cover.
- To protect against electrical shock, do not immerse cord, plug or any part of this appliance in water or any other liquid.
- Please ensure the 12V plug is disconnected from the DC socket after the car engine is turned off.
- Ensure the power supply to the socket into which the appliance is plugged, is in accordance with the rating label on the appliance and that the socket is earthed.
- Do not switch the setting from cool to warm immediately. Change between the settings only after the cooler has been OFF for 30 minutes.
- Do not turn the cooler upside down and avoid dropping the cooler.
- Keep ventilation openings, in the appliance enclosure or in the built-in structure, clear of obstruction.
- Please note raw food or seafood cannot be put in this appliance directly. Individual packaging for these types of foods are required.
- Prevent any obstructions to the fan. If the fan becomes blocked, it can overheat and cause fire. Never cover with towels or cloths.
- If the product is damaged or has any defects, please contact cservice@oypla.com

Operating Instructions

1. Characteristics of our product:

This mini thermoelectric cooler and warmer can bring you cool drinks in the summer and warm food in the winter. No matter whether on a long car journey, or outdoor hiking stuck in your car, you can enjoy plenty of drinks and foods at their optimum temperature.

It integrates dual functions of cooling and heating by employing a semiconductor, without compressor or cryogen. It has advantages of being free from pollution (no harmful gasses), small volume, light weight, portable, long service life and lowest power consumption.

2. Application

For holding banquets beside the lake.	In students, dormitory or dining hall.	For travelling by car.	For preservation of fresh milk and warm food.
For picnics and on camping trips.	In playground.	On yacht outing or fishing trip.	For home & beer.
For taxi drivers.	In the office or construction site.	In wagon, truck or bus.	

3. Performance

For optimum cooling effect, we suggest using pre-chilled foods and drinks.

This cooler and warmer is not designed to heat cold food, but to preserve hot foods at a warm temperature. It can warm to the maximum 65°C.

Please note the appliance is not suitable for storing ice cream or to freeze food or beverages.

4. Operation guide

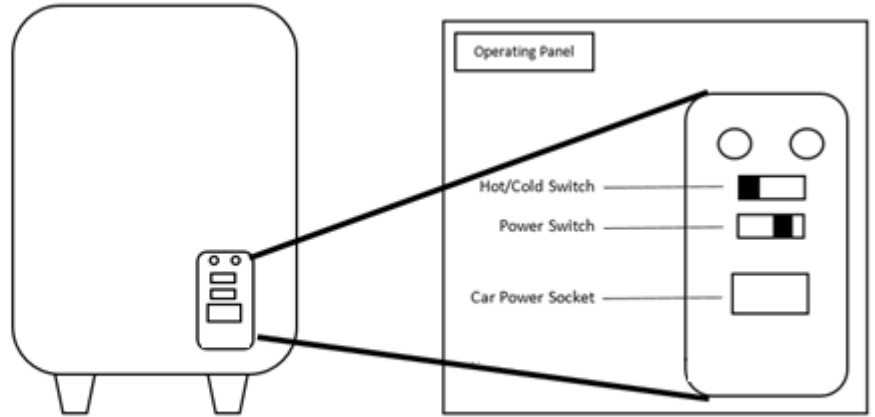
First make sure the switch at the side of the cooler and warmer is in OFF state, and then insert the plug of the power cord into the socket of the unit.

Insert the plug of the cigarette lighter into the cigarette lighter in the car.

Cooling: set the power switch at the position of COOLING. The green indicator will be on indicating the unit is in cooling mode.

Heating: set the switch at position of HEATING. The red indicator will be on indicating the unit is in heating mode.

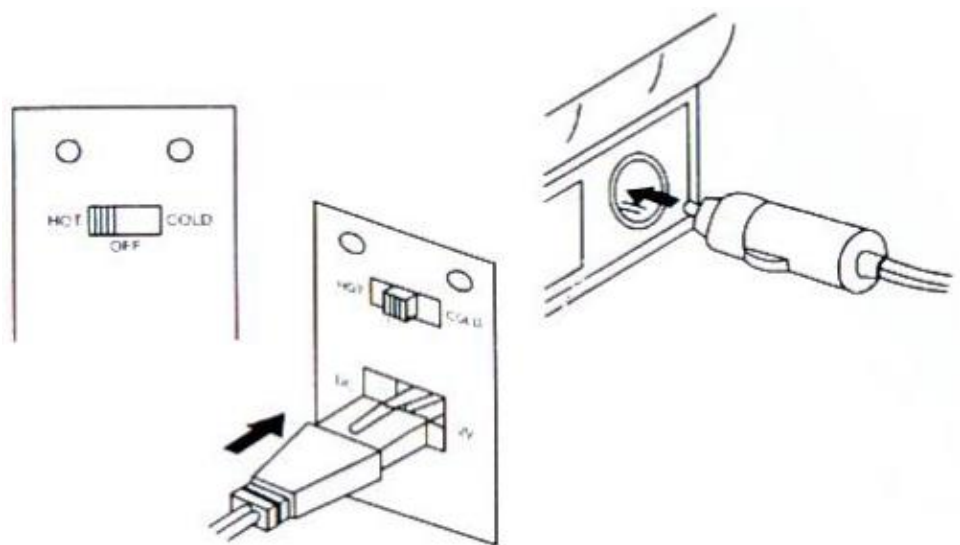
5. Attachment



6. DC Power

Power is drawn from the engine.

Insert the plug of DC power cord into the socket of the lighter in the car.



TECHNICAL DATA

Voltage: 12V DC

Cooling range: 18-20°C

Heating range: 50-65°C

TROUBLESHOOTING

1. If the appliance is not cooling or heating:
 - a. Check if the fan is operational, if it is not check that the connections are firmly in place.
 - b. Use a non-metallic brush to clean the connections.
 - c. Check that the fuse has not blown and that the power source is switched on.
2. If the appliance does not cool and the fan is not rotating, this indicates the motor may be at fault.
3. If the appliance does not cool but the fan is rotating normally, this indicates the cooling system may be at fault.
4. If the appliance does not work at all when connected to the DC Power source, this indicates the integrated power system may be at fault.



HAVE A QUESTION ABOUT YOUR PURCHASE?

Our dedicated customer services team are happy to help. Contact them via:

Telephone: 020 3600 22 55
Email: cservice@oypla.com
Live Chat: WWW.OYPLA.COM

CONSIDER THE ENVIRONMENT!

In the United Kingdom, approximately 5 billion corrugated boxes are used per year, amounting to around 83 per person! By recycling the cardboard box in which this product was packed, you contribute to the preservation and sustainability of the environment.

If you see a recycling logo on the packaging of your product, such as the below examples, that piece of packaging is recyclable. If there is not a recycling logo, please check with your local authorities before recycling.



PLEASE RETAIN A COPY OF THESE INSTRUCTIONS FOR FUTURE CONSULTATION

OYPLA.COM

AN OFFICIAL OYPLA BRANDED PRODUCT

ENVIRONMENTAL PROTECTION

Products bearing the symbol shown below means that used electrical and electronic equipment (WEEE) should not be mixed with general household waste. For proper treatment, recovery and recycling, please take this product(s) to designated collection points where it will be accepted free of charge. Disposing of this product correctly will help save valuable resources and prevent any potential negative effects on human health and the environment, which could otherwise arise from inappropriate waste handling. Please contact your local authority for further details of your nearest designated collection point. Penalties may be applicable for incorrect disposal of this waste, in accordance with your national legislation.



Imported by Oypla.com LLP, Uxbridge, UB8 2FX