

OYPLATM HOME



Sausage Stuffer

Safety Instructions

Notice: Ensure you read and fully understand instructions before use

While every attempt is made to ensure the highest degree of protection in all equipment, we cannot guarantee freedom from injury. The user assumes all risk of injury due to use. All merchandise is sold on this condition, which no representative of the company can waive or change.

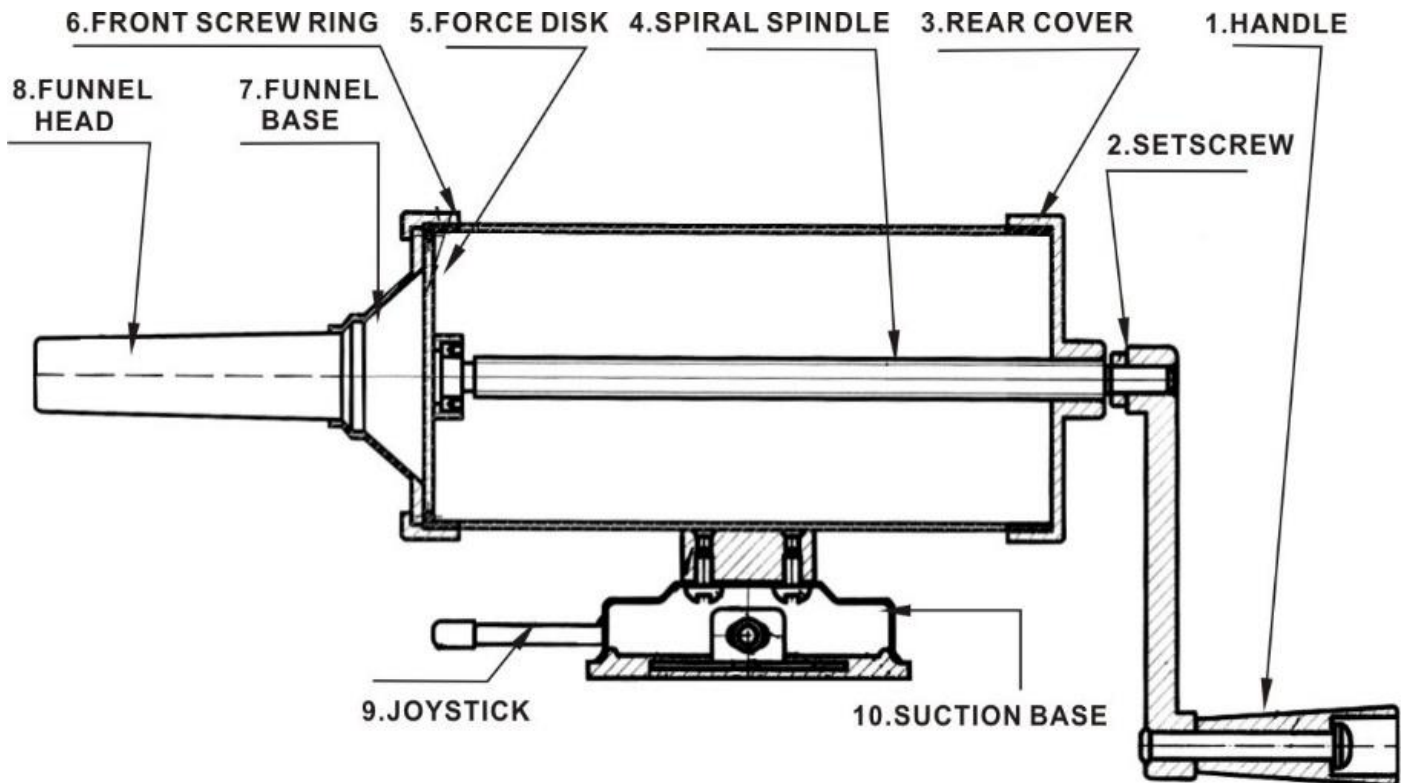
- Before using the product, make sure all fastenings are tightly in place and that everything is in order, and checked periodically by an adult.
- Never carry out any alterations or modifications to this product.
- This product is not a toy, and is only to be used for its designated purpose.
- This product is intended for indoor use only.
- Do not overfill the product.
- Only use this product on stable, level and dry ground.
- Make sure that the rear cover is on correctly to avoid it becoming loose and causing sausage meat to spill from the product.
- Make sure that the suction base is secured to the desired surface before use.
- This product is not intended for use by persons (including children) with reduced physical, sensory and mental capacities, or lack of experience and knowledge, unless they have been given supervision or instruction concerning use of the product by persons responsible for their safety.
- Clean only with a damp cloth. Do not use strong industrial cleaning substances or abrasive materials as these will damage the product.
- If the product is damaged or has any defects, please contact cservice@oypla.com

Operating Instructions

Parts List:

If you are missing any of the below parts please contact cservice@oypla.com

Please be aware that you will be referring to this parts list throughout the assembly process.



1. Push the handle onto the set screw, ensuring that it is secure before use.
2. Remove the front screw ring from the body of the aluminium sausage maker, making sure that you hand clean the inside of the aluminium sausage maker after doing so.
3. After this, slide a funnel head into the funnel base, ensuring that the funnel head is as far into the funnel base as possible. Put the sausage meat you are using into the body of the aluminium sausage maker. Place the funnel base into the opening of the body created by removing the front screw ring. Make sure to push the joystick forward to allow the suction base to stick to the desired surface.
4. Slip the sausage skin over the funnel head, ensuring that it is placed correctly to avoid any sausage meat spilling out of the sausage skin or the funnel head.
5. Turn the handle clockwise to push the meat into the funnel and therefore into the sausage skin. Be careful when doing this as too much sausage meat will create a mess.
6. Once done, unscrew both the front screw ring and the rear cover, pull the spiral spindle out and wash all parts used thoroughly to avoid cross contamination of food.

HAVE A QUESTION ABOUT YOUR PURCHASE?

OUR DEDICATED CUSTOMER SERVICES TEAM ARE HAPPY TO HELP
CONTACT THEM VIA:

TELEPHONE: 020 3600 2255

EMAIL: cservice@oypla.com

LIVE CHAT: www.oypla.com

PLEASE RETAIN A COPY OF THESE INSTRUCTIONS FOR FUTURE CONSULTATION

OYPLA.COM

An Official OYPLA Branded Product

Imported by Oypla.com LLP, Uxbridge, UB8 2FX

USER MANUAL Model No: 4030