

# OYPLA<sup>TM</sup> HOME



## Frost Heater

USER MANUAL Model No: 3991

# Safety Instructions

Please read the entire instruction manual before using the product and then save it for future reference. We reserve the right for any errors in text or images and any necessary changes made to technical data. In the event of technical problems or other queries, please contact our Customer Services.

- The product should only be connected to a 220-240V AC, 50Hz electrical outlet.
- Never leave the product unattended whilst it is switched on.
- If you have to leave the product unattended, even for a short while, always switch it off.
- Keep the product out of children's reach and do not allow children to use it.
- The product is only intended for normal domestic use and only in the manner described in this instruction manual.
- Inspect the mains lead regularly. Never use the product if the mains lead or plug has been damaged in any way.
- Do not place the mains lead on or near any hot surface.
- Do not touch the product if your hands are moist or wet.
- Never move the product by pulling on the lead.
- Keep furniture, curtains and other flammable material at least 1 metre away from the product.
- Do not run the power cord under carpets, rugs etc. or anywhere where it may present a trip hazard.
- Do not use this heater in bathrooms.
- Never place the cable directly against the heater or close to a hot air outlet.
- Do not touch the heater during use as it will get very hot and could cause injury.
- The heater must not be located immediately below or next to a mains power supply.
- Never cover the heater in any way.
- Do not move the heater whilst it is in use.
- Never use the heater in areas where explosive gasses or liquids are stored.
- This product is not intended for use by persons (including children) with reduced physical, mental and sensory capacities, or lack of experience and knowledge, unless they have been given supervision or instructions concerning the use of the product by persons responsible for their safety.
- Do not discard any packaging until you have checked that you have all of the parts and fittings required.
- If the product is damaged or has any defects, please contact [cservice@oypla.com](mailto:cservice@oypla.com)

## ⚡ WARNING ⚡

To Reduce the Risk of Fire or Electric Shock, follow these basic precautions:

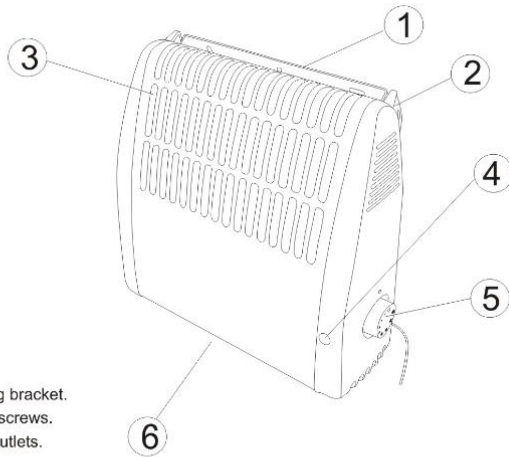
- Read all instructions before using the heater.
- Never allow children to operate or play with the heater.
- Never clean heater parts with flammable fluids. The fumes can create a fire hazard or explosion.
- Do not store or use gasoline or any other flammable vapors and liquids in the vicinity of this or any other heater. The fumes can create a fire hazard or explosion.

UNPLUG OR DISCONNECT THIS HEATER FROM THE POWER SUPPLY BEFORE SERVICING.

**-Save these instructions-**

# Operating Instructions

## Product Details

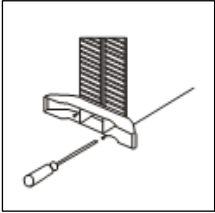


1. Mounting bracket.
2. Bracket screws.
3. Hot air outlets.
4. Control lamp.
5. Rotary knob.
6. Air intake.

## Assembly

### Free Standing

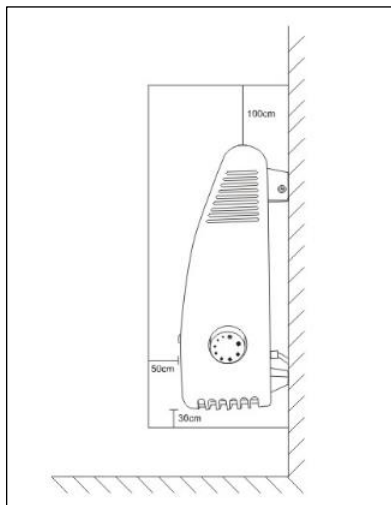
Before using the heater, the feet must be attached to the unit. These are to be attached to the base using the 4 screw provided.



### Wall Mounted

The unit must be mounted so that the flow of hot air is not blocked or hindered. The heater itself will become hot, therefore be aware of the minimum distances stated in the diagram.

1. Remove the mounting bracket (1) from the heater by unscrewing the mounting bracket screws (2).
2. Drill holes in the wall and fix the bracket to the wall tightly. Make sure the bracket is vertically positioned so that the heater is not tilted.
3. Attach the heater to the mounting bracket by hanging it onto the bracket. Once in place, secure it with the bracket screws (2).



## Operating Instructions

1. Turn the rotary knob (5) clockwise as far as it will go.
2. Wait until the heater has warmed up the room to the desired temperature and then turn the knob back slowly until the control lamp (4) goes out.
3. The thermostat is now set at the current temperature and will turn ON when the temperature drops below this point, or OFF when above.

## Care and Maintenance

- Before cleaning the heater, disconnect the plug from the power supply and allow it to cool down fully.
- Clean the casing with a damp cloth. Do not use any strong or abrasive cleaning materials and do not allow water to reach any internal parts.
- Do not immerse the heater in water or any other liquid.

## Disposal of Unit

Products bearing the symbol shown above means that used electrical and electronic equipment (WEEE) should not be mixed with general household waste. For proper treatment, recovery and recycling, please take this product(s) to designated collection points where it will be accepted free of charge. Disposing of this product correctly will help save valuable resources and prevent any potential negative effects on human health and the environment, which could otherwise arise from inappropriate waste handling. Please contact your local authority for further details of your nearest designated collection point. Penalties may be applicable for incorrect disposal of this waste, in accordance with your national legislation. +

