

This product is only suitable for well insulated spaces or occasional use.

Industrial Fan Heater

Safety Instructions

Notice: Ensure you read and fully understand instructions before use

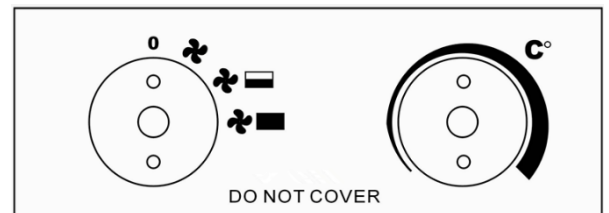
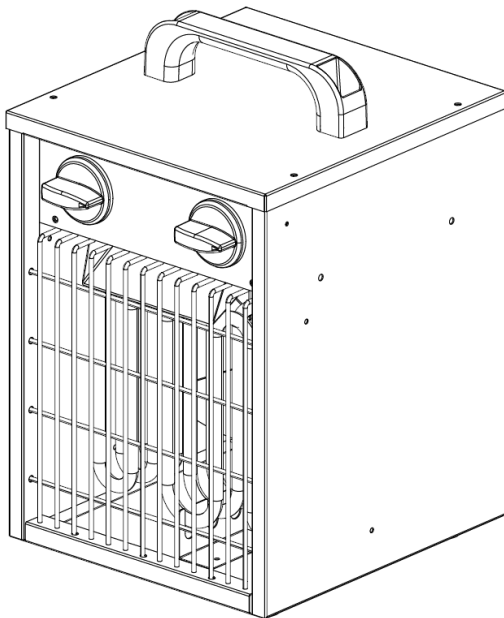
While every attempt is made to ensure the highest degree of protection in all equipment, we cannot guarantee freedom from injury. The user assumes all risk of injury due to use. All merchandise is sold on this condition, which no representative of the company can waive or change.

- The product should only be connected to a 220-240V AC, 50Hz electrical outlet.
- Never leave the product unattended whilst it is switched on.
- If you have to leave the product unattended, even for a short while, always switch it off.
- Keep the product out of children's reach and do not allow children to use it.
- Inspect the mains lead regularly. Never use the product if the mains lead or plug has been damaged in any way.
- Do not place the mains lead on or near any hot surface.
- Do not touch the product if your hands are moist or wet.
- Never move the product by pulling on the lead.
- Keep furniture, curtains and other flammable material at least 1 metre away from the product.
- Do not run the power cord under carpets, rugs etc. or anywhere where it may present a trip hazard.
- Do not use this heater outdoors in damp weather, in bathrooms or in any other damp environments.
- Never place the cable directly against the heater or close to a hot air outlet.
- Do not touch the heater during use as it will get very hot and could cause injury.
- The heater must not be located immediately below or next to a mains power supply.
- Never cover the heater in any way.
- Do not move the heater whilst it is in use.
- Never use the heater in areas where explosive gases or liquids are stored.
- The heater should be used on a stable, heat-resistant surface.
- This product is not intended for use by persons (including children) with reduced physical, mental and sensory capacities, or lack of experience and knowledge, unless they have been given supervision or instructions concerning the use of the product by persons responsible for their safety.
- Do not discard any packaging until you have checked that you have all of the parts and fittings required.
- Do not use this heater in the immediate surroundings of a bath, a shower or a swimming pool.
- Do not use this heater if it has been dropped.
- Do not use if there are visible signs of damage to the heater.
- Use this heater on a horizontal and stable surface.
- If the product is damaged or has any defects, please contact cservice@oypla.com

- **WARNING:** Do not use this heater in small rooms when they are occupied by persons not capable of leaving the room on their own, unless constant supervision is provided.
- **WARNING:** To reduce the risk of fire, keep textiles, curtains, or any other flammable material a minimum distance of 1 m from the air outlet.
- **CAUTION** – Some parts of this product can become very hot and cause burns. Particular attention has to be given where children and vulnerable people are present.

Note: When opening the package, you will notice that the handle is not yet attached. To attach, simply remove the two screws from the top of the heater, align the handle in place, and insert the screws back into place.

Operating Instructions



Left Knob: Selector of heat setting

Right Knob: Thermostat Dial

Note: When using the heater for the first time, a slight odour and some smoke may be emitted. This is normal and will soon subside. Ensure there is sufficient ventilation around the heater.

Care and Maintenance

Before cleaning the heater, disconnect the plug from the power supply and allow it to cool down fully.

Clean the casing with a damp cloth. Do not use any strong or abrasive cleaning materials and do not allow water to reach any internal parts.

Do not immerse the heater in water or any other liquid

Troubleshooting

Problem	Possible cause	Treatment
The heater does not operate, even when it is plugged in and the thermostat is switched on.	The plug is loose or there is a bad connection	Pull out the plug, check the connection of the plug and socket. Then connect again.
	No power in the socket outlet	Insert the plug into a proper socket
The heating element is glowing	The input voltage is too high or too low	Use power supply according to the rating label.
	The air inlet grill is blocked	Keep the heater far away from objects like curtains, plastic bags, paper and other things which can cover the inlet or can be easily covered on the air inlet.
The appliance didn't heat up, or only the ventilator worked	The switch was not put at a specific heating setting	Turn the switch to heat setting
	The thermostat operated	Turn the thermostat and listen if there is open/close voice. If there is no click and the thermostat is not damaged, the heater will automatic switch on when the appliance cooled down.
	The self-resetting cut-out operated	Turn the heater off and inspect the blockage of inlet or outlet. Disconnect the plug and wait at least 10 minutes for the protection system to reset before attempting to restart the heater.
Abnormal noise	The appliance does not stand upright	Put the heater on a level surface

HAVE A QUESTION ABOUT YOUR PURCHASE?

OUR DEDICATED CUSTOMER SERVICES TEAM ARE HAPPY TO HELP
CONTACT THEM VIA:

TELEPHONE: 020 3600 2255

EMAIL: cservice@oypla.com

LIVE CHAT: www.oypla.com

PLEASE RETAIN A COPY OF THESE INSTRUCTIONS FOR FUTURE CONSULTATION



Environmental Protection

OYPLA.COM

An Official OYPLA Branded Product

Products bearing the symbol shown below means that used electrical and electronic equipment (WEEE) should not be mixed with general household waste. For proper treatment, recovery and recycling, please take this product(s) to designated collection points where it will be accepted free of charge. Disposing of this product correctly will help save valuable resources and prevent any potential negative effects on human health and the environment, which could otherwise arise from inappropriate waste handling. Please contact your local authority for further details of your nearest designated collection point. Penalties may be applicable for incorrect disposal of this waste, in accordance with your national legislation.



Imported by Oypla.com LLP, Uxbridge, UB8 2FX

USER MANUAL Model No: 3990