

DIY

THANK YOU FOR YOUR ORDER

Contents

- 1 Front Cover**
 -
- 2 Safety Instructions**
 -
- 2 Assembly Instructions**
 -
- 4 Operating Instructions**
 -
- 5 Back Cover**

End



Heavy Duty Sack Truck - 90kg Capacity

Contents

1	Front Cover
-	
2	Safety Instructions
-	
2	Assembly Instructions
-	
4	Operating Instructions
-	
5	Back Cover

End

Safety Instructions

Notice: Ensure you read and fully understand instructions before use

While every attempt is made to ensure the highest degree of protection in all equipment, we cannot guarantee freedom from injury. The user assumes all risk of injury due to use. All merchandise is sold on this condition, which no representative of the company can waive or change.

- This product is not a toy, and is only to be used for its designated purpose.
- Never carry out any alterations or modifications to this product.
- Do not exceed the 90kg load capacity. Doing so can cause personal injury and/or product damage.
- Make sure to load the platform evenly, ensuring that the weight is balanced.
- Leaving the product outside and exposed to weather, especially direct sunlight, rain and salt air, will speed the weathering process. This can be slowed by removing the product from these conditions, or by covering the product with a suitable cover.
- Do not push the truck over rough or uneven ground, or up and down curbs. Use ramps where available.
- Do not transport loads that will impair your frontal vision, ensuring that the height of the load doesn't exceed the height of the handle.
- When transporting wide loads, ensure that there is a large enough space for the load to proceed.
- When transporting heavy loads, make sure that the heaviest part of the load is directly connected to the platform of the truck and touching the frame.
- If the product is damaged or has any defects, please contact cservice@oypla.com

Assembly Instructions

Parts List:

If you are missing any of the below parts, please contact cservice@oypla.com

Please be aware that you will be referring to this parts list throughout the assembly process.

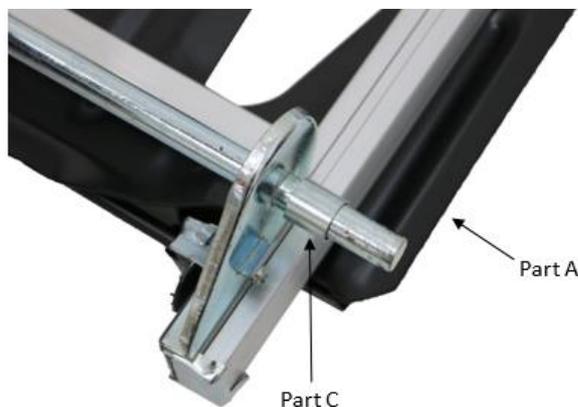
Part	Description	Quantity	Image
A	Frame	1	
B	Wheel	2	
C	Spacer	2	
D	Split Pin	2	
E	Washer	2	

Contents

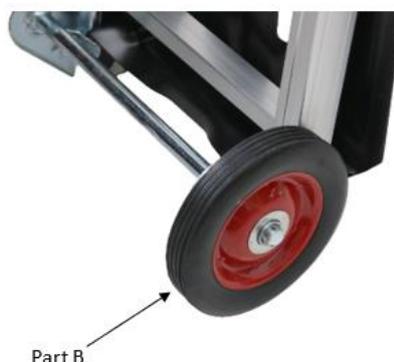
- 1 Front Cover
-
- 2 Safety Instructions
-
- 2 **Assembly Instructions**
-
- 4 Operating Instructions
-
- 5 Back Cover

End

- 1 Slide the spacer (part C) onto the axle sections of the frame (part A), ensuring that it connects with the frame (part A) itself.



- 2 Push the wheel (part B) onto the axle section of the frame (part A), making sure it connects with the spacer (part C) but leaves enough space for the washer and wheel pin (parts E and D).



- 3 Push a washer (part E) onto the axle, followed by a wheel pin (part D) through the hole in the axle, ensuring that the wheel pin goes all the way through. Once the wheel pin is through, bend the longer side of the wheel pin so that the wheel won't slide off of the axle.



Contents

- 1 Front Cover
-
- 2 Safety Instructions
-
- 2 Assembly Instructions
-
- 4 **Operating Instructions**
-
- 5 Back Cover

End

Operating Instructions

Please refer to the diagrams below for instructions on how to operate your product.



To use the constructed 90kg Sack Truck, push the platform away from the frame, ensuring that the platform is flat. Once having done this, adjust the handle on the frame (this is done by pushing the thin metal bar in between the frame) to a suitable size. Please see images above for examples of load sizes.

To pack the 90kg Sack Truck away, please push the platform back up against the frame and lower the handle if needed.



Contents

- 1 Front Cover
-
- 2 Safety Instructions
-
- 2 Assembly Instructions
-
- 4 Operating Instructions
-
- 5 **Back Cover**

End

HAVE A QUESTION ABOUT YOUR PURCHASE?

Our dedicated customer services team are happy to help. Contact them via:

Telephone: 020 3600 22 55
 Email: cservice@oypla.com
 Live Chat: WWW.OYPLA.COM

CONSIDER THE ENVIRONMENT!

In the United Kingdom, approximately 5 billion corrugated boxes are used per year amounting to around 83 per person! By recycling the cardboard box in which this product was packed, you contribute to the preservation and sustainability of the environment.

If you see a recycling logo on the packaging of your product, such as the below examples, that piece of packaging is recyclable. If there is not a recycling logo, please check with your local authorities before recycling.



PLEASE RETAIN A COPY OF THESE INSTRUCTIONS FOR FUTURE CONSULTATION

OYPLA.COM

AN OFFICIAL OYPLA BRANDED PRODUCT