



90L Square Garden Incinerator

Safety Instructions

Notice: Ensure you read and fully understand instructions before use

While every attempt is made to ensure the highest degree of protection in all equipment, we cannot guarantee freedom from injury. The user assumes all risk of injury due to use. All merchandise is sold on this condition, which no representative of the company can waive or change.

- Please note that the edges of the metal are sharp. Be careful when removing the protective film before assembly and use.
- Do not use the garden incinerator when there are high winds as this will increase the smoke output and possibly create a nuisance to others around.
- Ensure your garden incinerator is on a firm and level surface to minimise any risk of it falling over, especially when it is hot.
- Wear thick gloves, long sleeves, strong shoes and eye protection to protect against any potential incidents.
- Do not burn plastic, flammable gases or liquids, pressurized containers or batteries, this product is designed for garden waste ONLY. For example, dry organic material.
- Do not leave unattended when hot.
- Please keep both children and pets away at all times.
- Let the product cool completely before attempting to move or touch.
- Do not use in small spaces.
- If the product is damaged or has any defects, please contact cservice@oypla.com




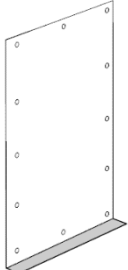
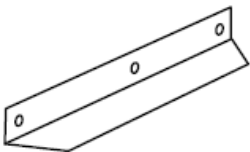
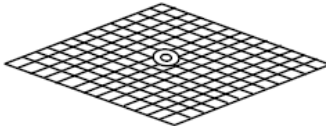


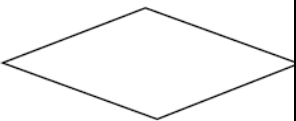

Assembly Instructions

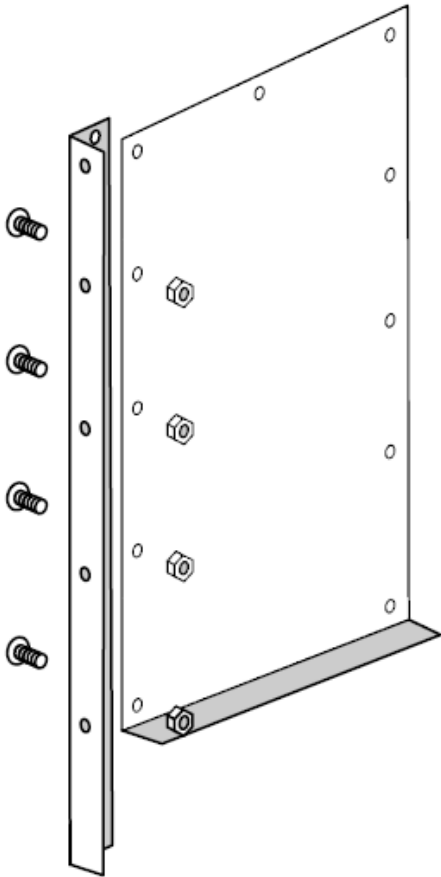
Parts List:

Please check you have all parts below before attempting to assemble this product.

If you are missing any of the below parts, please contact Oypla customer services:

cservice@oypla.com

<p>Long Side Bracket</p>		<p>4pcs</p>	<p>Metal Side Panel</p>		<p>4pcs</p>
<p>Short Top Bracket</p>		<p>4pcs</p>	<p>Rack Lid</p>		<p>1pc</p>
<p>Handle</p>		<p>1pc</p>	<p>Nuts (for handle)</p>		<p>1pc</p>
<p>Bottom Panel</p>		<p>1pc</p>	<p>Pair of Nuts and Bolts</p>		<p>45pcs</p>

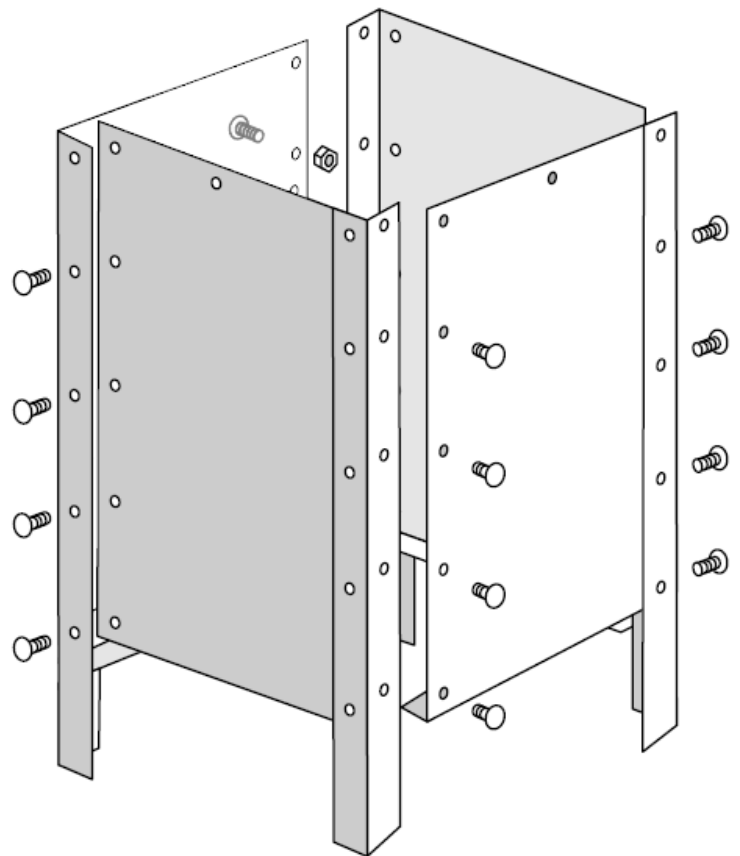


Step 1:

Attach the long side bracket to the metal side panels using 4 bolts and 4 nuts. Repeat for remaining panels and brackets.

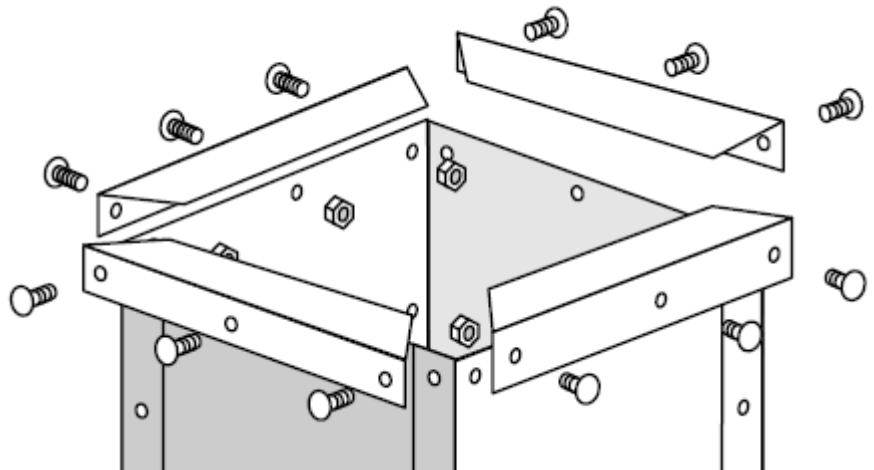
Step 2:

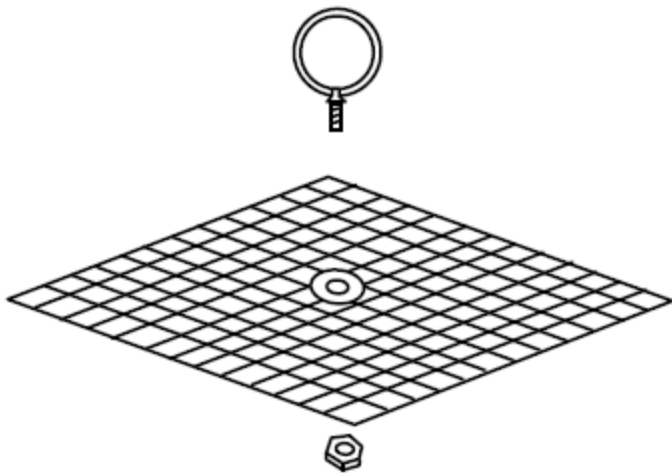
Attach the side brackets and panels units using the bolts and nuts



Step 3:

Attach the short top brackets using 3 bolts and 3 nuts. Attach to the centre hole near the long bracket. Repeat process for the remaining three.



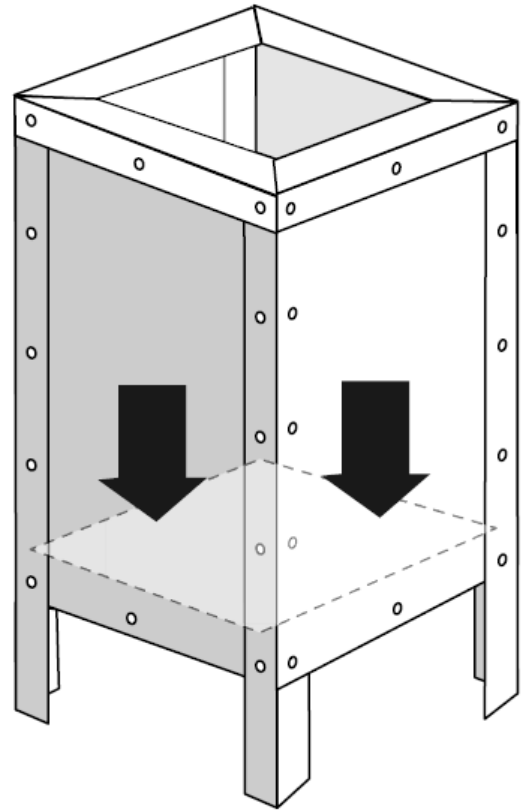


Step 5:

Place the bottom panel inside, on the base.

Step 4:

Attach the handle to the rack lid with the nut.



To light the incinerator. First line the bottom of the garden incinerator with newspapers and small twigs. Light the newspaper and allow a bit of time to heat up, while adding larger branches.

Then you can add your garden rubbish into the incinerator, and place the metal rack on top, using the handle.

HAVE A QUESTION ABOUT YOUR PURCHASE?

OUR DEDICATED CUSTOMER SERVICES TEAM ARE HAPPY TO HELP
CONTACT THEM VIA:

TELEPHONE: 020 3600 2255

EMAIL: cservice@oypla.com

LIVE CHAT: www.oypla.com

PLEASE RETAIN A COPY OF THESE INSTRUCTIONS FOR FUTURE CONSULTATION

OYPLA.COM

An Official OYPLA Branded Product

Imported by Oypla.com LLP, Uxbridge, UB8 2FX

USER MANUAL Model No: 3964