

OYPLA™

HOME

THANK YOU FOR YOUR ORDER



Brass Mother & Child Lamp

Safety Instructions

Notice: Ensure you read and fully understand instructions before use

While every attempt is made to ensure the highest degree of protection in all equipment, we cannot guarantee freedom from injury. The user assumes all risk of injury due to use. All merchandise is sold on this condition, which no representative of the company can waive or change.

- The product should only be connected to a 240V AC, 50Hz electrical outlet.
- This product is for indoor use only.
- Inspect the mains lead regularly. Never use the product if the mains lead or plug has been damaged in any way.
- The shade and lamp become very hot when in use. Switch off and allow 10 minutes to cool before replacing the bulb, adjusting or cleaning.
- This product contains glass parts – be careful during handling and maintenance to avoid breakage.
- Always use the correct wattage and shape light bulbs according to the product label. Do not exceed the maximum wattages stated or this will overheat the product and may cause damage.
- Ensure the lamp is placed on a stable, solid surface.
- This lamp contains heavy parts and care must be taken when moving or handling this product.
- This product is intended for indoor use only.
- This product contains small parts that could be a choking hazard if swallowed. Keep these items away from children.
- Make sure all fastenings are tightly in place and that everything is in order before using the product. An adult should check this periodically.
- This product is not a toy, and is only to be used for its designated purpose.
- Do not carry out alterations or modifications to this product.
- Clean only with a dry cloth. Do not use strong industrial cleaning substances.
- Only use this product on stable, level and dry ground.
- This product is for domestic use only.
- If the product is damaged or has any defects, please contact cservice@oypla.com.

Assembly Instructions

Parts List:

If you are missing any of the below parts please contact cservice@oypla.com

Please be aware that you will be referring to this parts list throughout the assembly process.



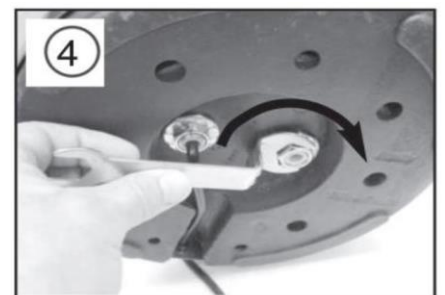
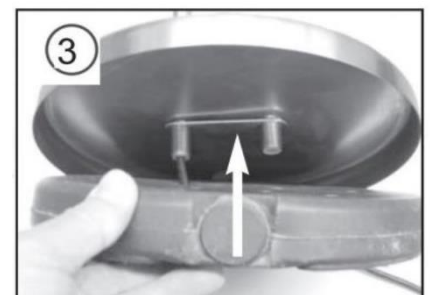
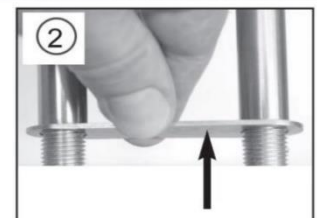
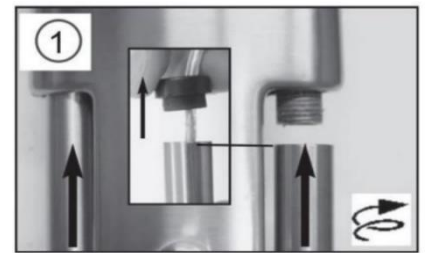
1. Screw the support stems into the dimmer switch box. Take care not to twist the cable in the stem. (This is located in the middle of the product). Please see the image on the right, marked as image 1.

2. Fit the washer over the lower sections of both stems. Please see the image on the right, marked as image 2.

3. Slide both stems into the base as shown in the image on the right. Please see the image on the right, marked as image 3.

4. Fit the washers and nuts to the lower threaded sections of the stems and tighten with the spanner provided. Please see the image on the right, marked as image 4.

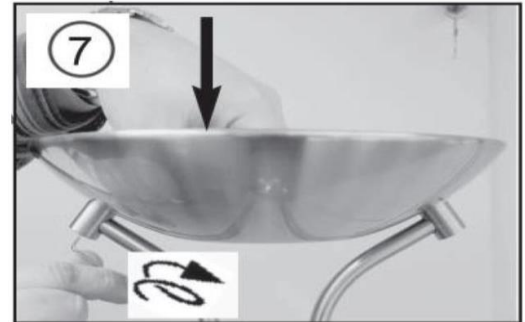
5. Fit the curved arms into the positions shown below the bowl. Please see the image on the right, marked as image 5.



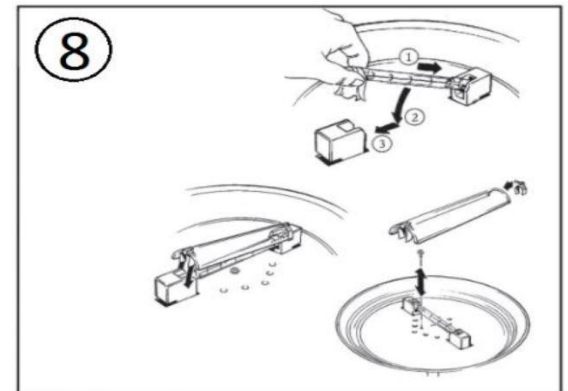
6. Take care not to trap the internal or damage the internal cables. Please see the image on the right, marked as image 6.



7. Secure the bowl with grub screws. Please see the image on the right, marked as image



8. Install the bulb into the top bowl by springing it into place between the lamp holder contents. Fit the safety glass shield over the bulb and secure with two retainers. Please see the image on the right, marked as



9. Install the bulb into the adjustable lamp head and fit the glass safety shield. Fit the adjustable handle into position on the lamp head. Please see the image on the right, marked as image 8.

HAVE A QUESTION ABOUT YOUR PURCHASE?

OUR DEDICATED CUSTOMER SERVICES TEAM ARE HAPPY TO HELP
CONTACT THEM VIA:

TELEPHONE: 020 3600 2255

EMAIL: cservice@oypla.com

LIVE CHAT: www.oypla.com

PLEASE RETAIN A COPY OF THESE INSTRUCTIONS FOR FUTURE CONSULTATION



Environmental Protection

Products bearing the symbol shown below means that used electrical and electronic equipment (WEEE) should not be mixed with general household waste. For proper treatment, recovery and recycling, please take this product(s) to designated collection points where it will be accepted free of charge. Disposing of this product correctly will help save valuable resources and prevent any potential negative effects on human health and the environment, which could otherwise arise from inappropriate waste handling. Please contact your local authority for further details of your nearest designated collection point. Penalties may be applicable for incorrect disposal of this waste, in accordance with your national legislation.



OYPLA.COM

An Official OYPLA Branded Product



Imported by Oypla.com LLP, Uxbridge, UB8 2FX

USER MANUAL Model No: 3924