

OYPOBA™

LEISURE

THANK YOU FOR YOUR ORDER



Portable BBQ

Safety Instructions

Notice: Ensure you read and fully understand instructions before use

While every attempt is made to ensure the highest degree of protection in all equipment, we cannot guarantee freedom from injury. The user assumes all risk of injury due to use. All merchandise is sold on this condition, which no representative of the company can waive or change.

- This BBQ grill is intended for outdoor use only. Do not attempt to use the grill in enclosed areas.
- Place your BBQ grill on a firm, level surface away from any wooden fences, overhanging trees or other flammable objects before use.
- **DO NOT USE PETROL ON THE GRILL.** To light the BBQ use charcoal lighter fluid with charcoal briquettes or pre-soaked charcoal according to the product's instructions.
- After lighting, do not leave the grill unattended.
- Keep children and animals away from the lit grill at all times.
- Do not move the grill once it has been lit.
- Once it is lit, the grill and the surrounding surfaces will become very hot. Use proper outdoor cooking mitts and avoid skin contact with all hot metal surfaces on the grill.
- To extinguish the charcoal after cooking, douse the coals with sand or spray with a fine mist of water.
- After your BBQ grill has cooled, cover and store the grill in a dry place when not in use.
- If the product is damaged or has any defects, please contact cservice@oypla.com

Assembly Instructions

Parts List:

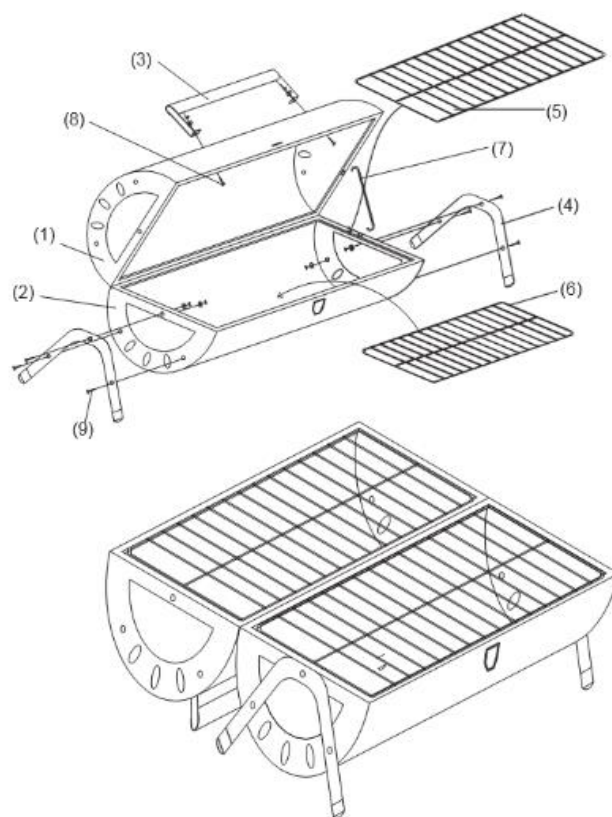
Please check you have all parts below before attempting to assemble this product.

If you are missing any of the below parts, please contact Oypla customer services:

cservice@oypla.com

Please be aware you will be referring to this parts list throughout the assembly process.

No.	Description	Qty.
1	Cover(hood)	1
2	Body (pre-assembled)	1
3	Handle	1
4	Leg	2
5	Cooking Grid	2
6	Charcoal Grid	2
7	Hook	1
8	Small Bolt, Washer & Nut (for handle)	2
9	Large Bolt, Washer & Nut (for legs)	6



1. Attach the legs (4) to the body (2) using the larger bolts, washers and nuts (9) at each side.
2. Attach the handle (3) to the cover (1) with the smaller bolts, washers and nuts (8) at each side.
3. Insert the ends of the hook (7) into the holes in the cover (1) and the body (2).
4. First place the charcoal grid (6) into the body (2) and next fit the cooking grid (5) into the body (2) above the charcoal grid (6).
5. To increase the cooking capacity, remove the hook (7) to fully open the grill and place the other charcoal and cooking grids into the cover (!).

HAVE A QUESTION ABOUT YOUR PURCHASE?

Our dedicated customer services team are happy to help. Contact them via:

Telephone: 020 3600 22 55
Email: cservice@oypla.com
Live Chat: WWW.OYPLA.COM

CONSIDER THE ENVIRONMENT!

In the United Kingdom, approximately 5 billion corrugated boxes are used per year amounting to around 83 per person! By recycling the cardboard box in which this product was packed, you contribute to the preservation and sustainability of the environment.

If you see a recycling logo on the packaging of your product, such as the below examples, that piece of packaging is recyclable. If there is not a recycling logo, please check with your local authorities before recycling.



PLEASE RETAIN A COPY OF THESE INSTRUCTIONS FOR FUTURE CONSULTATION



OYPLA.COM

AN OFFICIAL OYPLA BRANDED PRODUCT

Imported by Oypla.com LLP, Uxbridge, UB8 2FX

USER MANUAL Model No: 3904