



# **Bike Trailer**

USER MANUAL Model No: 3867

# Safety Instructions

## **Notice: Ensure you read and fully understand instructions before use**

While every attempt is made to ensure the highest degree of protection in all equipment, we cannot guarantee freedom from injury. The user assumes all risk of injury due to use. All merchandise is sold on this condition, which no representative of the company can waive or change.










- Make sure all fastenings are tightly in place and that everything is in order before using the product. This should be checked periodically by an adult.
- This product is not a toy, and is only to be used for its designated purpose.
- Do not carry out alterations or modifications to this product.
- This product is intended for outdoor use only.
- Clean only with a damp cloth. Do not use strong industrial cleaning substances.
- The maximum weight capacity of this trailer is 150kg, do not exceed.
- The maximum capacity of the tub is 90L, do not exceed.
- Only use this product on stable, level and dry ground.
- Do not discard any of the packaging until you have checked that you have all of the parts and fittings required.
- Use the correct fixings as indicated. Do not tighten any of the nuts until the unit is completely assembled, then finish by tightening all nuts. All nuts must be tightened before use.
- Leaving the trailer outside exposed to weather, especially direct sun, rain and salt air, will speed the weathering process. This can be slowed by removing the trailer from these conditions, or covering it with a suitable cover.
- If the product is damaged or has any defects, please contact [cservice@oypla.com](mailto:cservice@oypla.com)

# Assembly Instructions

## Parts List:

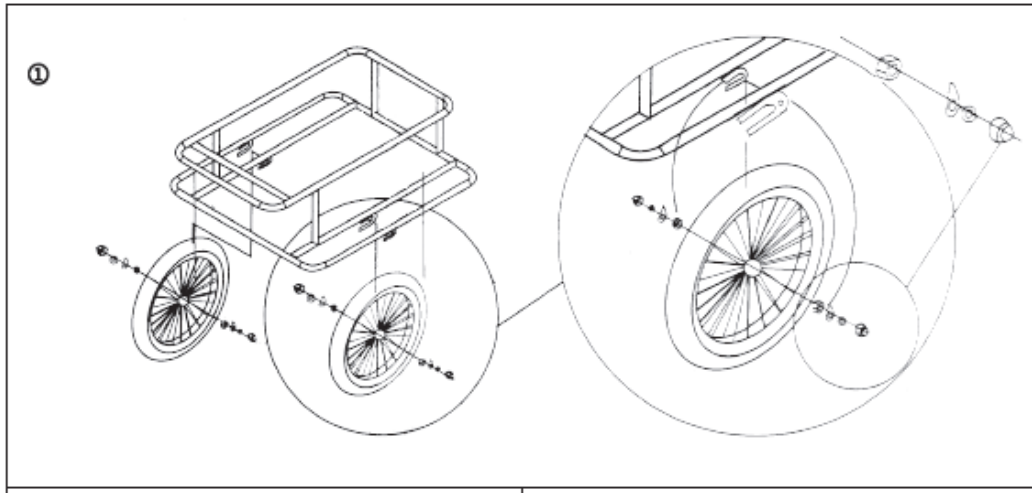
If you are missing any of the below parts please contact [cservice@oypla.com](mailto:cservice@oypla.com)

Please be aware that you will be referring to this parts list throughout the assembly process.

| <u>PART</u> | <u>PICTURE OF PART</u>  | <u>QUANTITY</u> | <u>PART</u> | <u>PICTURE OF PART</u>   | <u>QUANTITY</u> |
|-------------|---|-----------------|-------------|--|-----------------|
| A           |    | 2pcs            | F           |    | 1pc             |
| B           |   | 1pc             | G           |   | 1pc             |
| C           |  | 1pc             | H           |  | 1pc             |
| D           |  | 1pc             | I           |  | 4pcs            |
| E           |  | 10pcs           |             |  |                 |

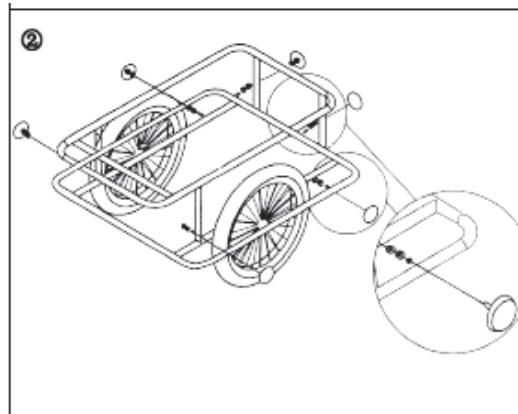
### Also Includes:

- 1x Long Bolt
- 2x Medium Bolt
- 16x Small Bolt

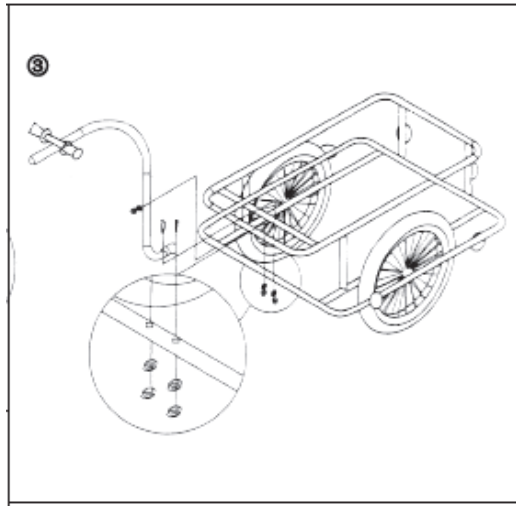


**1.** Place the bottom frame (Part B) onto a flat surface. Attach the frame support bars (Part I) using two small bolts per support bar. Fit these into the pre-drilled holes provided on the bottom frame. Repeat this step for each support bar. Once all support bars have been attached, fit the top frame (Part G) onto the top of the support bars, secure this into place by using two bolts per support bar. Please see picture above.

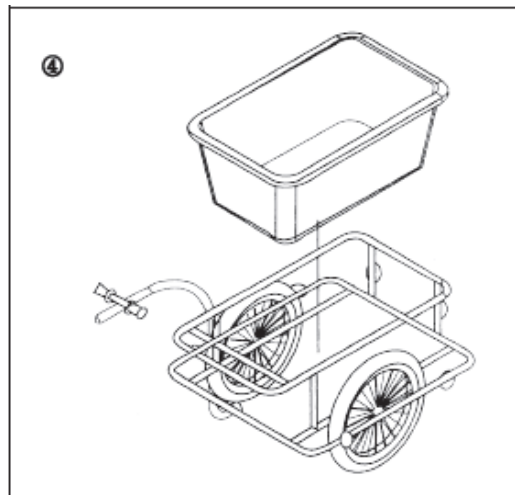
Attach the wheels (Part A) onto the bottom frame using the nuts provided with the wheels. These should slot into the wheel hooks on the underside of the bottom frame. Once the wheel has been slotted into the hooks place the clips on first and put them through the little hole on the wheel hooks, then follow this by securing it into place with the nuts. Please see picture above.



**2.** Attach the reflectors (Part E) onto the trailer frame, these fit into the pre-drilled holes on the frame. Secure these into place using the nuts provided with the reflectors.



**3.** Attach the connector bar (Part C) to the top and bottom frame using two medium bolts. To secure this in place tighten the nuts. Do not tighten both too much because it could damage the product. Then attach the horizontal handlebar (Part H) to the connector bar using one large bolt. Attach the handlebar grips onto the handlebar if not already attached, these will just slide onto the handlebar.



**4.** Place the trailer tub (Part F) into the trailer frame. Once this step has been completed you've fully built the product and is ready for use.

**5.** To attach the trailer onto the bike, grab the tow bar clamp (Part D), unscrew the bolt then place the seat bar of your bike in the clip, then re screw the bolt through the clip to secure. Once the tow bar clamp is secure onto the bike, grab the trailer and attach the tows together (underneath the red clamp clip), this will secure into place.

**Please retain a copy of all instructions for future consultation.**



**An Official Oypla Branded Product**

Imported into the EU by Oypla.com LLP, Uxbridge, UB8 2FX

USER MANUAL Model No: 3867