

# GARDEN

User Manual

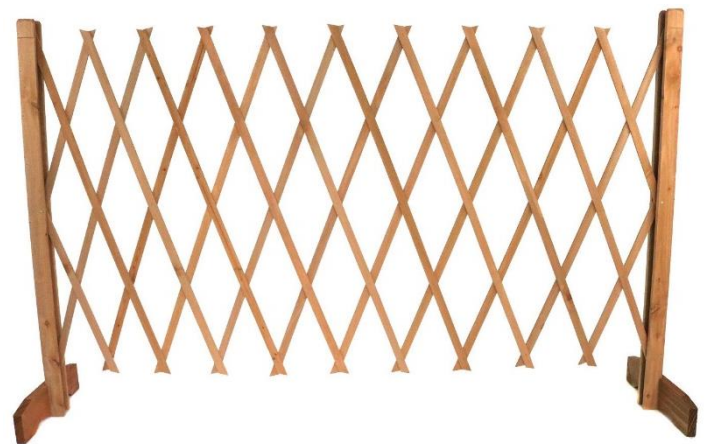
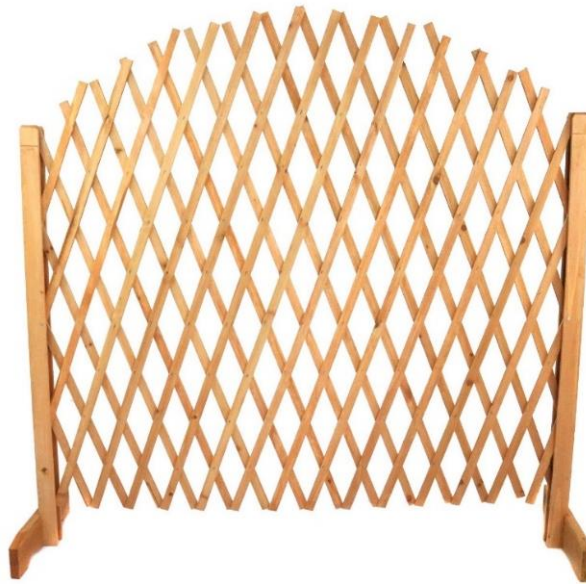
Model Code: 3839, 3840

THANK YOU FOR YOUR ORDER

## Contents

- 1 Front Cover
- 
- 2 Safety Instructions
- 
- 2 Assembly Instructions
- 
- 3 Back Cover

End



## Expanding Trellis

## Contents

1	Front Cover
-	-
2	Safety Instructions
-	-
2	Assembly Instructions
-	-
3	Back Cover

End

# Safety Instructions

## Notice: Ensure you read and fully understand instructions before use

While every attempt is made to ensure the highest degree of protection in all equipment, we cannot guarantee freedom from injury. The user assumes all risk of injury due to use. All merchandise is sold on this condition, which no representative of the company can waive or change.

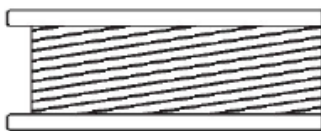
- Make sure all fastenings are tightly in place and that everything is in order before using the product. This should be checked periodically by an adult.
- This product is not a toy, and is only to be used for its designated purpose.
- Avoid placing in areas that are exposed to strong winds.
- Only use this product on stable, level and dry ground.
- If the product is damaged or has any defects, please contact [cservice@oypla.com](mailto:cservice@oypla.com).

# Assembly Instructions

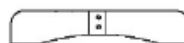
## Parts List:

- If you are missing any of the below parts, please contact [cservice@oypla.com](mailto:cservice@oypla.com)

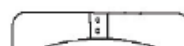
Ⓐ × 1



Ⓑ × 1



Ⓒ × 1



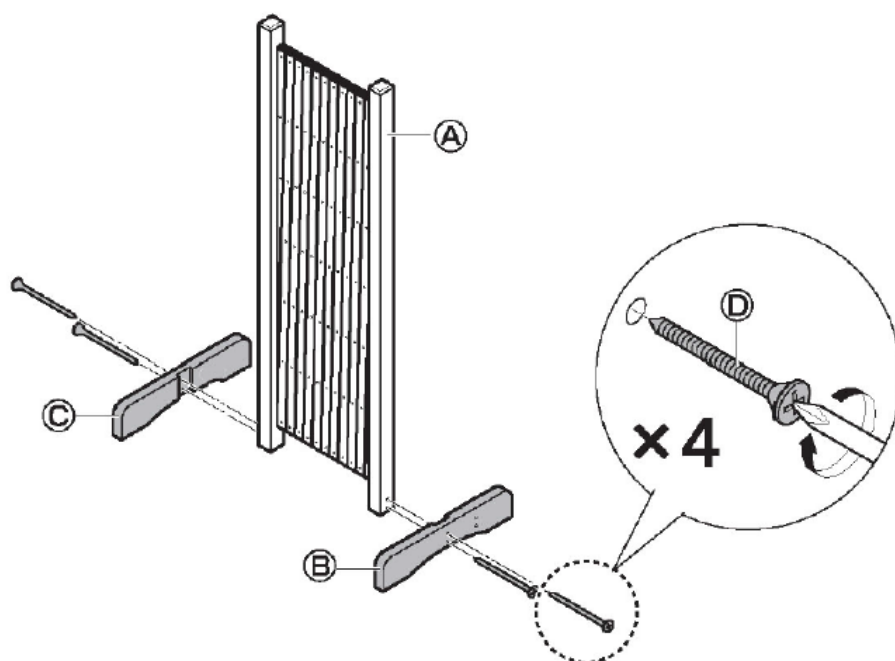
Ⓓ × 4



## Contents

- 1 Front Cover
- 
- 2 Safety Instructions
- 
- 2 Assembly Instructions
- 
- 3 Back Cover

End



## HAVE A QUESTION ABOUT YOUR PURCHASE?

Our dedicated customer services team are happy to help. Contact them via:

**Telephone:** 020 3600 22 55  
**Email:** [cservice@oypla.com](mailto:cservice@oypla.com)  
**Live Chat:** [WWW.OYPLA.COM](http://WWW.OYPLA.COM)

## CONSIDER THE ENVIRONMENT!

In the United Kingdom, approximately 5 billion corrugated boxes are used per year, amounting to around 83 per person! By recycling the cardboard box in which this product was packed, you contribute to the preservation and sustainability of the environment.

If you see a recycling logo on the packaging of your product, such as the below examples, that piece of packaging is recyclable. If there is not a recycling logo, please check with your local authorities before recycling.



PLEASE RETAIN A COPY OF THESE INSTRUCTIONS FOR FUTURE CONSULTATION

# OYPLA.COM

AN OFFICIAL OYPLA BRANDED PRODUCT

Imported by Oypla.com LLP, Uxbridge, UB8 2FX

Model Code: 3839,3840

Oypla.com LLP / [www.oypla.com](http://www.oypla.com)