

 **YPLA**TM
PETS



Cat Tree

USER MANUAL Model No: 3822

Safety Instructions

Notice: Ensure you read and fully understand instructions before use

While every attempt is made to ensure the highest degree of protection in all equipment, we cannot guarantee freedom from injury. The user assumes all risk of injury due to use. All merchandise is sold on this condition, which no representative of the company can waive or change.



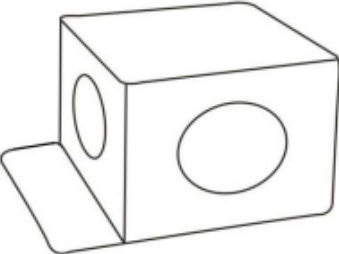
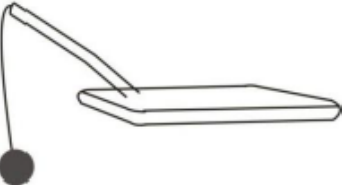
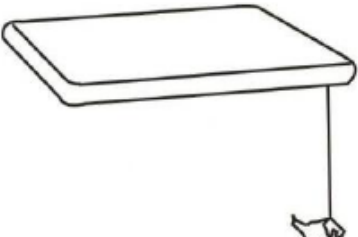
- This product is not a toy, and is only to be used for its designated purpose.
- Never carry out any alterations or modifications to this product.
- This product is intended for indoor use only.
- Make sure that you place the product on the floor, placing it on a high surface creates the risk of a falling hazard and could injure you and/or your pet.
- Before allowing your pet to use the product, make sure all fastenings are tightly in place and that everything is in order, and checked periodically by an adult.
- Do not attempt to move the product if there is a pet inside.
- Clean only with a damp cloth. Do not use strong industrial cleaning substances or abrasive materials as these will damage the product.
- If the product is damaged or has any defects, please contact cservice@oypla.com

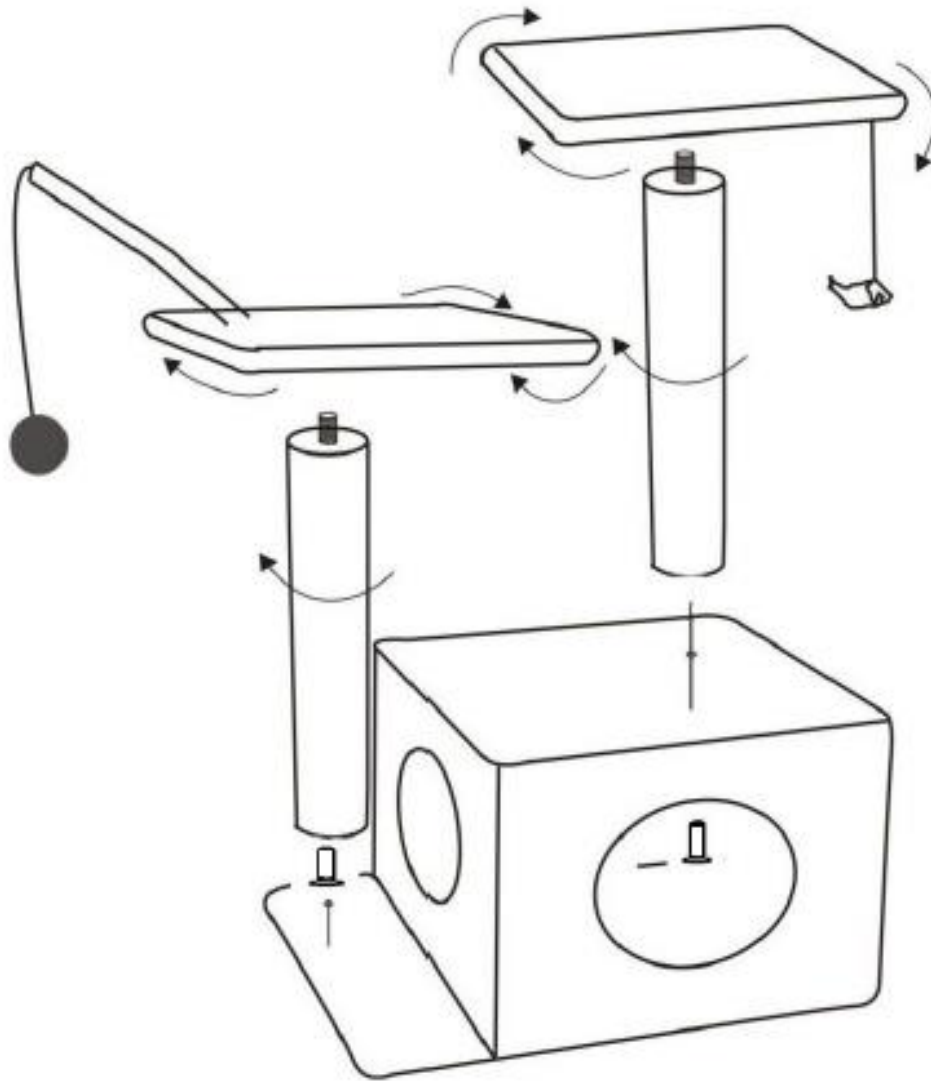
Operating Instructions

Parts List:

If you are missing any of the below parts please contact cservice@oypla.com

Please be aware that you will be referring to this parts list throughout the assembly process.

2pcs		Support Pole
2pcs		Hex Screw
1pc		Base with Housing Block
1pc		Platform with outreaching ball
1pc		Platform with soft mouse toy



1. Place the base with housing block onto a flat surface, ensuring that the base is stable. Once done, push a screw through both of the locations marked on the diagram above. Make sure that the screws are able to go all the way through.
2. Screw a support pole onto each of the exposed screws, ensuring that the support poles are secured correctly.
3. Screw the platform with the outreaching ball onto the lower support pole (the one that is attached directly to the base). After this, screw the platform with the soft mouse toy onto the upper support pole (the one that is attached to the roof of the housing block). Once done, check that everything is secure and screwed in correctly.

HAVE A QUESTION ABOUT YOUR PURCHASE?

OUR DEDICATED CUSTOMER SERVICES TEAM ARE HAPPY TO HELP
CONTACT THEM VIA:

TELEPHONE: 020 3600 2255

EMAIL: cservice@oypla.com

LIVE CHAT: www.oypla.com

PLEASE RETAIN A COPY OF THESE INSTRUCTIONS FOR FUTURE CONSULTATION

OYPLA.COM

An Official OYPLA Branded Product
Imported by Oypla.com LLP, Uxbridge, UB8 2FX

USER MANUAL Model No: 3822