

OYPLA™

GARDEN

THANK YOU FOR YOUR ORDER

User Manual

Model Code: 3803, 4518

Contents

- 1 Front Cover
-
- 2 Safety Instructions
-
- 2 Assembly Instructions
-
- 3 Back Cover

End



Ornamental Bird

Bath

OYPLA

Model Code: 3803/4518

Oypla.com LLP / www.oypla.com

Contents

1	Front Cover
-	
2	Safety Instructions
-	
2	Assembly Instructions
-	
3	Back Cover

End

Safety Instructions

Notice: Ensure you read and fully understand instructions before use

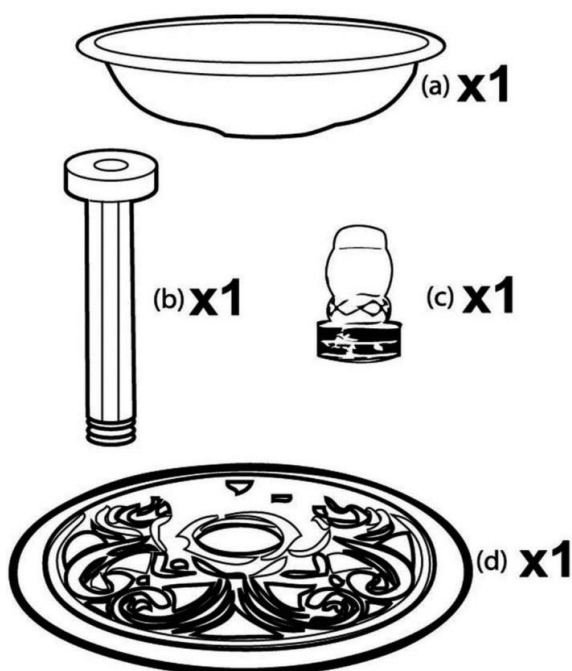
While every attempt is made to ensure the highest degree of protection in all equipment, we cannot guarantee freedom from injury. The user assumes all risk of injury due to use. All merchandise is sold on this condition, which no representative of the company can waive or change.

- This product is not a toy, and is only to be used for its designated purpose.
- Never carry out any alterations or modifications to this product.
- Clean only with a damp cloth. Do not use strong industrial cleaning substances or abrasive materials as these will damage the product.
- Only use this product on stable, level ground/surface.
- This product is intended for outdoor use only.
- Leaving the product outside exposed to weather, especially direct sun and rain, will speed the weathering process. This can be slowed by removing the product from these conditions.
- Do not discard any of the packaging until you have checked that you have all of the parts and fittings required.
- If the product is damaged or has any defects, please contact cservice@oypla.com.

Assembly Instructions

Parts List:

- If you are missing any of the below parts, please contact cservice@oypla.com
- Please be aware that you will be referring to this parts list throughout the assembly process.

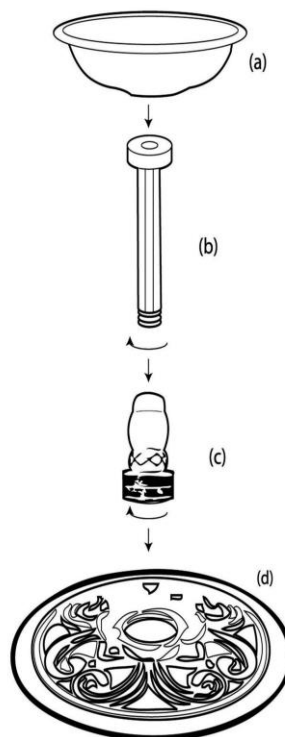


1. Place the base of the bird bath (d) onto a flat surface.
2. Screw the pedestal ornate (c) clockwise into the bird bath base (d).
3. Screw the pedestal upright (b) clockwise into the top of the pedestal ornate (c).
4. Screw the bird bath basin (a) clockwise into the top of the pedestal upright (b).

Contents

- 1 Front Cover
-
- 2 Safety Instructions
-
- 2 Assembly Instructions
-
- 3 Back Cover

End



Finally, use the ground pegs provided to secure your bird bath to the floor, if it is being used on grass, sand or other soft surfaces.

HAVE A QUESTION ABOUT YOUR PURCHASE?

Our dedicated customer services team are happy to help. Contact them via:

Telephone: 020 3600 22 55
Email: cservice@oypla.com
Live Chat: WWW.OYPLA.COM

CONSIDER THE ENVIRONMENT!

In the United Kingdom, approximately 5 billion corrugated boxes are used per year, amounting to around 83 per person! By recycling the cardboard box in which this product was packed, you contribute to the preservation and sustainability of the environment.

If you see a recycling logo on the packaging of your product, such as the below examples, that piece of packaging is recyclable. If there is not a recycling logo, please check with your local authorities before recycling.



PLEASE RETAIN A COPY OF THESE INSTRUCTIONS FOR FUTURE CONSULTATION

OYPLA.COM

AN OFFICIAL OYPLA BRANDED PRODUCT

Imported by Oypla.com LLP, Uxbridge, UB8 2FX